







b bonomi

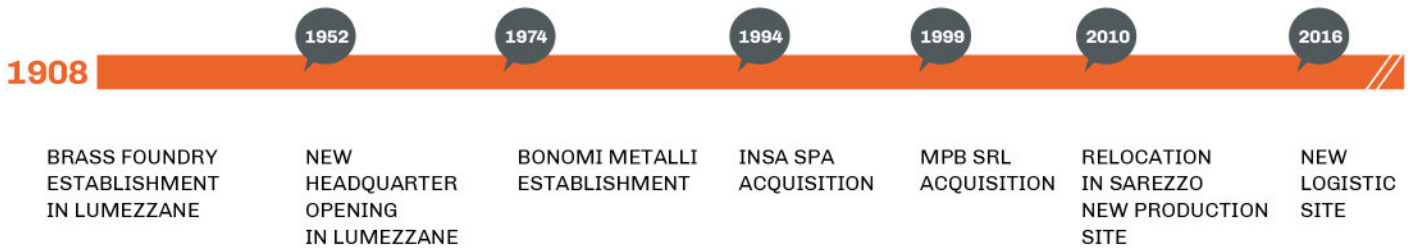
COMPANY
PROFILE



Idrosanitaria Bonomi was founded in 1908 in Lumezzane with the establishment of a foundry for brass items manufacturing.

Throughout a century of Italian industrial history, we have participated and contributed to the evolution of sectors, markets, manufacturing processes and organizational models.

We drive innovation for over 110 years



Idrosanitaria Bonomi can be appreciated as one of the top level manufactures in the plumbing sector, thanks to human and technological heritage of great value.

In 2010 Idrosanitaria Bonomi built up a new productive and logistical site, which is complementary to the assembling and coordinating site of Muscoline, specialized in multilayer fittings.





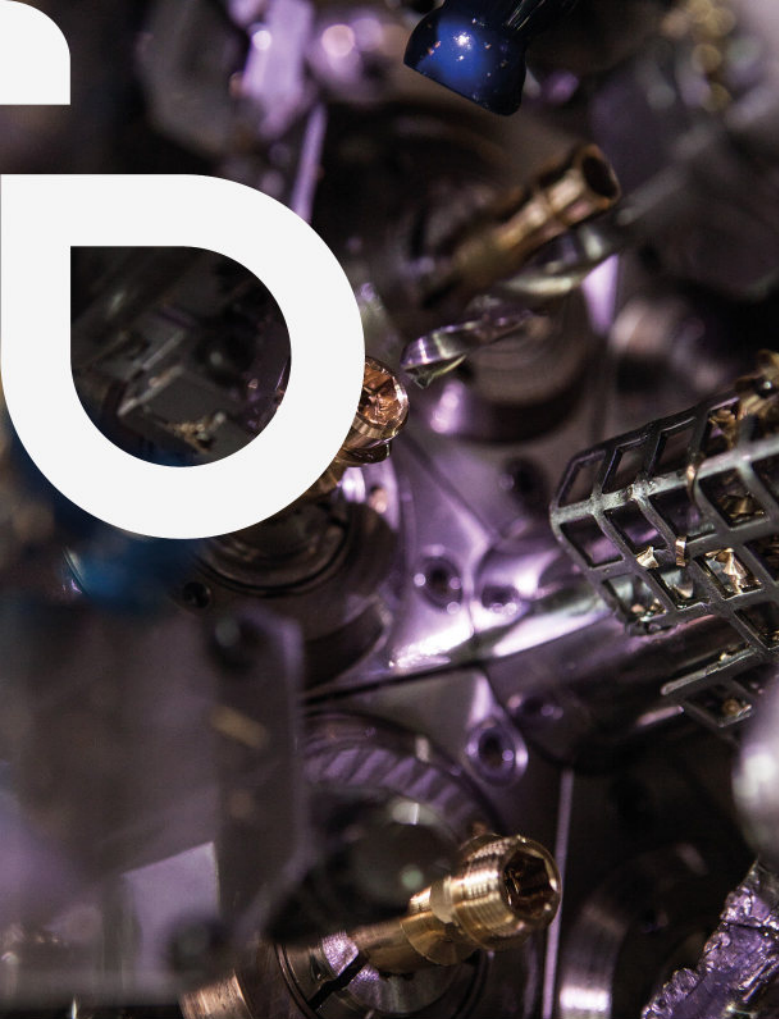
**In our products
we recognize the
genetic code
of our company.**

Our wide range of products includes:

- b** Ball valves
- b** Components for installations of plumbing and heating systems
- b** Bronze valves
- b** Manifolds and accessories
- b** Valves and lockshields for radiators
- b** Fittings

The thermo-hydraulic core business has been accompanied since 2002 by the special division Contemporaneo Italiano, a line of essential and sophisticated taps that Bonomi designs and produces for architects, interior designers and the most demanding Italian and European customers.





Innovation

is the perfect example of BONOMI's forward-looking approach. Our main goals are studying and developing new items to better address the upcoming market challenges and to satisfy the needs of our most demanding clients.

Quality

Quality is a gene encoded in the genetic code of our company.

In 1994 we obtained the DIN ISO 9001 certification from one of the most qualified and rigorous certification institute in Europe: TÜV, Technischer Überwachungsverein.

CERTIFICATO ◆ CERTIFICADO ◆ CERTIFIKAT ◆ 認證證書 ◆ CERTIFICATE ◆ CERTIFIKAT



CERTIFICATO

Nr. 50 100 3809 Rev.007

SI ATTESTA CHE / THIS IS TO CERTIFY THAT

IL SISTEMA DI GESTIONE PER LA QUALITÀ DI
THE QUALITY MANAGEMENT SYSTEM OF

b bonomi
IDROSANITARIA BONOMI S.p.A.

SEDE LEGALE E OPERATIVA:
REGISTERED OFFICE AND OPERATIONAL SITE:
VIA MONSUELLO 36
IT - 25065 LUMEZZANE (BS)

SEDI OPERATIVE: VEDI ALLEGATO 1 / OPERATIONAL SITES: SEE ANNEX 1

È CONFORME AI REQUISITI DELLA NORMA
HAS BEEN FOUND TO COMPLY WITH THE REQUIREMENTS OF
UNI EN ISO 9001:2015

QUESTO CERTIFICATO È VALIDO PER IL SEGUENTE CAMPO DI APPLICAZIONE
THIS CERTIFICATE IS VALID FOR THE FOLLOWING SCOPE OF APPLICATION

Progettazione e fabbricazione di componenti per sistemi idrotermosanitari in leghe di rame.
Commercializzazione di componenti per sistemi idrotermosanitari (IAF 17, 29)

Design and manufacture of components for hydraulic, heating and sanitary-ware in copper alloys.
Trade of components for hydraulic, heating and sanitary-ware (IAF 17, 29)

<p>Per l'Organismo di Certificazione For the Certification Body TUV Italia S.r.l.</p>	<p>Validità / Validity</p> <p>Dal / From: 2021-12-13</p> <p>Ai / To: 2024-12-12</p>
--	---

SGQ N° 049A

Versioni degli Accordi di Riconoscimento:
CA, IAF e EAC
Firma del RAS, IAF and EAC Mutual Recognition Agreement

Francesco Scarlata
Francesco Scarlata
Direttore Generale / General Manager
Autorente Assicurato / Director Assurance

Data emissione / Issuing Date
2021-12-07

PRIMA CERTIFICAZIONE / FIRST CERTIFICATION: 2003-12-30

LA VALIDITÀ DEL PRESENTE CERTIFICATO È SOTTOPOSTA A SOVRASORVEGLIANZA PERIODICA A 12 MESI E AL RISERVO COMPLETO DEL SISTEMA DI GESTIONE AZIENDALE CON VERIFICA TRIENNALE.
THE VALIDITY OF THE PRESENT CERTIFICATE DEPENDS ON THE ANNUAL SURVEILLANCE EVERY 12 MONTHS AND ON THE COMPLETE REVIEW OF COMPANY'S MANAGEMENT SYSTEM AFTER THREE-YEARLY.

TÜV Italia • Gruppo TÜV SÜD • Via Carducci 125, Pal. 23 • 20099 Sesto San Giovanni (MI) • Italia • www.tuvsud.com/it









responsible sustainable

We all want to leave a mark in this world,
it is our nature as human beings.
It depends on each of us, personally,
what kind of track we want it to be.
If your thoughts and actions are sustainable
and responsible, **this Earth**, which hosts the life
of the whole of humanity, **will be grateful
and proud to bring your signature too.**

Since July 2021, Idrosanitaria Bonomi has put
its signature on concrete actions of environmental
empowerment, both collective and individual.
Together, we walk along a path that is getting greener
and greener, towards a soundly sustainable future.

01

BALL VALVES

02

COMPONENTS FOR PLUMBING AND HEATING

03

BRONZE VALVES

04

MANIFOLDS AND ACCESSORIES

05

VALVES AND LOCKSHIELDS FOR RADIATORS

06

FITTINGS

01

BALL VALVES

10	GAS BALL VALVES
15	IDROSOLAR
16	WATER BALL VALVES

02

COMPONENTS FOR PLUMBING AND HEATING

78	STOP AND GATE VALVES
92	SWING CHECK AND CHECK VALVES
100	STRAINERS
102	BOILER DRAIN VALVES
114	BUILT-IN TAPS
119	BIBCOCKS
127	UPPER PARTS
135	UNDER-BASIN AND WASHING MACHINE TAPS
142	PRESSURE REDUCERS AND GAUGES

03

BRONZE VALVES

152	BALL VALVES
154	ANGLE-SEAT VALVES
157	GLOBE VALVES
162	SWING CHECK AND HORIZONTAL VALVES
170	STRAINERS
176	GATE VALVES

04

MANIFOLDS AND ACCESSORIES

180	MANIFOLDS
-----	-----------

05

VALVES AND LOCKSHIELDS FOR RADIATORS

216	VALVES AND LOCKSHIELDS
-----	------------------------

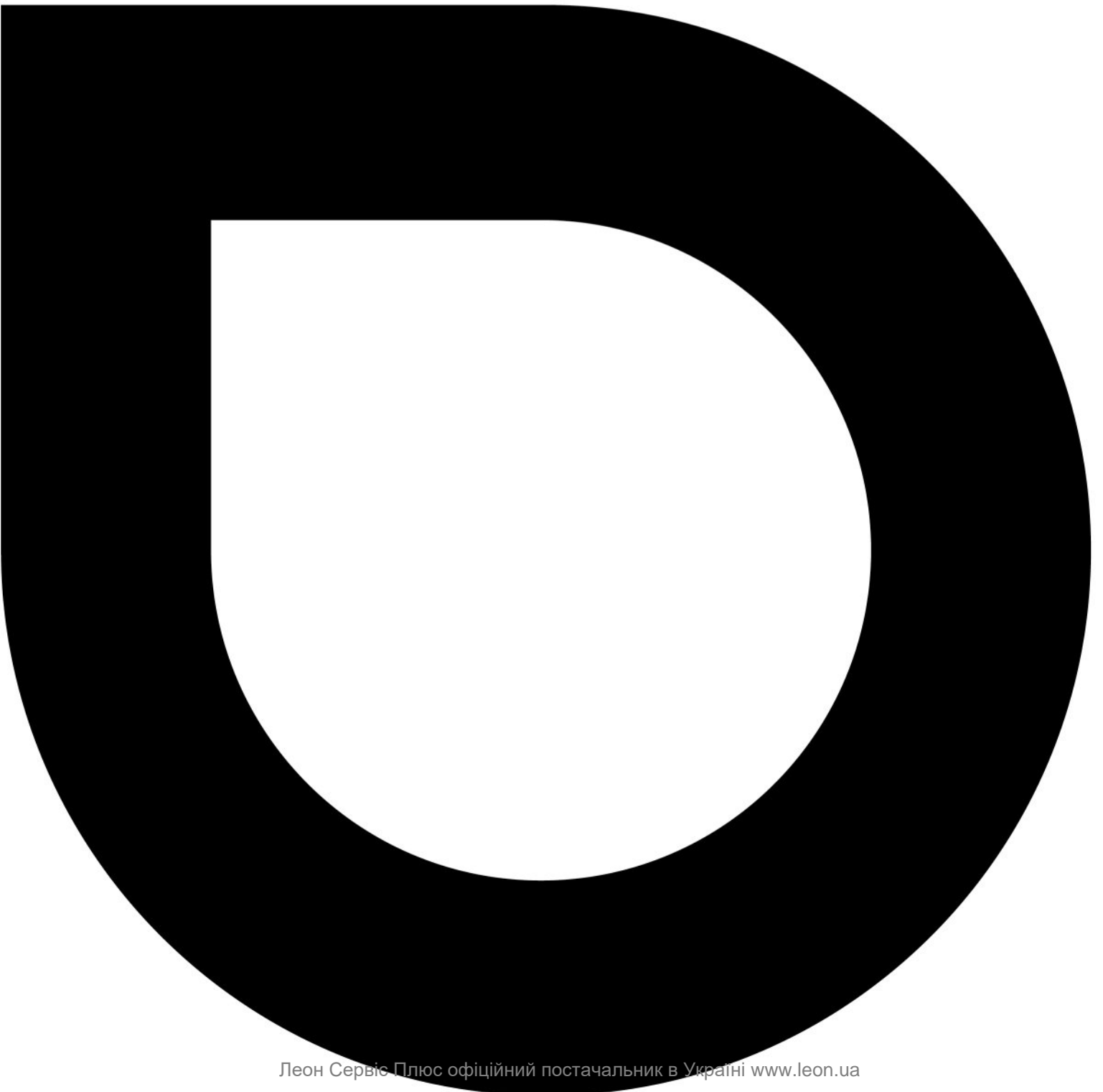
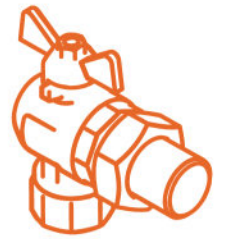
06

FITTINGS

244	WATER PRESS FITTINGS
301	HOMEGAS SYSTEM
324	WATER COMPRESSION FITTINGS



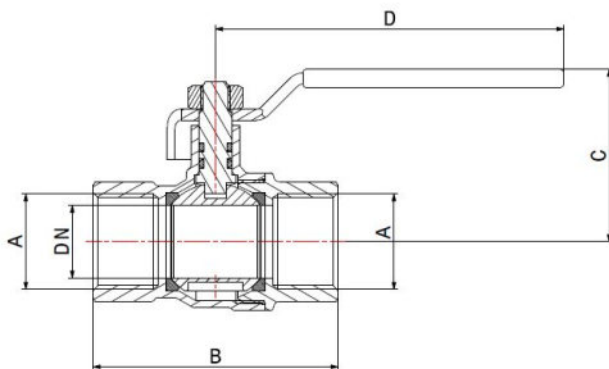
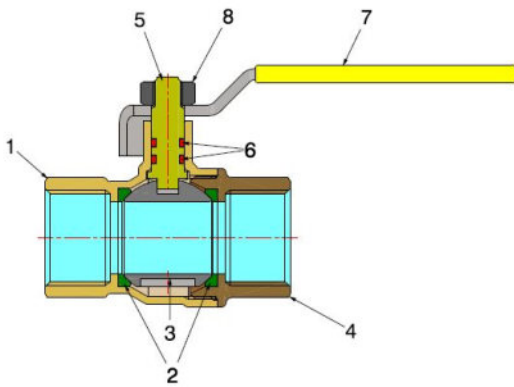
01
BALL
VALVES



GAS BALL VALVES

MISSOURI

795001



- F/F gas ball valve with iron lever
- Female thread EN 10226-1
- Pressure class MOP 5
- Temperature range min -20°C- max + 60°C

Valve produced according to EN331 standard class MOP5, suitable for distributing and interrupting low pressure gases. Plumbing and heating systems and industrial sector are the ideal fields of application. It's a full bore valve and the ball seal is guaranteed by two PTFE seats.

The operating mechanism seal features two VITON® O-Rings with an internally installed stem and anti-ejection system.

COMPONENTS

POS	PART NAME	N°	MATERIAL
1	Body	1	CW617N UNI-EN 12165 nickel-plated
2	Seal	2	Virgin PTFE
3	Ball	1	CW617N UNI-EN 12165 chrome-plated
4	End connection	1	CW617N UNI-EN 12165 nickel-plated
5	Stem	1	CW617N UNI-EN 12164
6	O-Ring	2	VITON®
7	Lever	1	Galvanised iron and PVC coated
8	Nut	1	Galvanised iron

DIMENSIONS

DN	A	B	C	D
15	Rp 1/2"	59	41	95
20	Rp 3/4"	68	46	95
25	Rp 1"	80	56	120
32	Rp 1.1/4"	96	63	120
40	Rp 1.1/2"	106	80	150
50	Rp 2"	130	88	150

PACKAGING

	Rp 1/2"	Rp 3/4"	Rp 1"	Rp 1.1/4"	Rp 1.1/2"	Rp 2"
CODE	79500104	79500106	79500108	79500110	79500111	79500113
PCS BOX	12	10	8	-	-	-
PCS CARTON	120	120	72	25	16	8

GAS BALL VALVES

MISSOURI

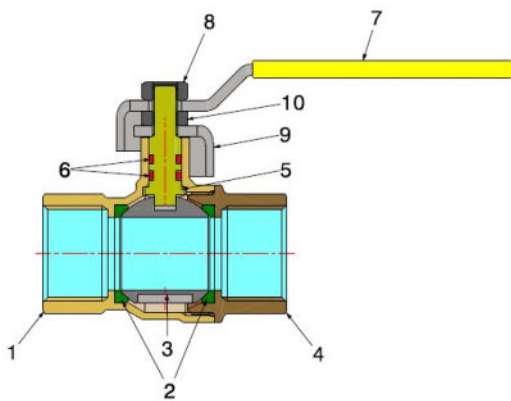
7950A1



- F/F gas ball valve with iron lever
- Female thread EN 10226-1
- Pressure class MOP 5
- Temperature range min -20°C - max +60°C

Valve produced according to EN331 standard class MOP5, suitable for distributing and interrupting low pressure gases. Plumbing and heating systems and industrial sector are the ideal fields of application. It's a full bore valve and the ball seal is guaranteed by two PTFE seats.

The operating mechanism seal features two VITON® O-Rings with an internally installed stem and anti-ejection system.

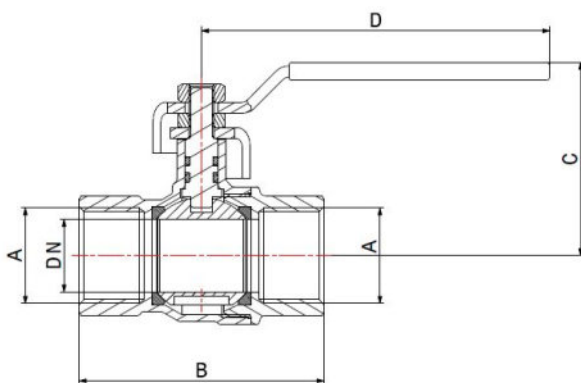


COMPONENTS

POS.	PART NAME	N°	MATERIAL
1	Body	1	CW617N UNI-EN 12165 nickel-plated
2	Seal	2	Virgin PTFE
3	Ball	1	CW617N UNI-EN 12165 chrome-plated
4	End connection	1	CW617N UNI-EN 12165 nichel-plated
5	Stem	1	CW614N UNI-EN 12164
6	O-Ring	2	Viton®
7	Lever	1	Galvanised iron and PVC coated
8	Nut	1	Galvanised iron
9	Short lever	1	Galvanised iron
10	Nut	1	Brass nickel-plated

DIMENSIONS

DN	A	B	C	D
15	Rp 1/2"	59	48	95
20	Rp 3/4"	68	53	95
25	Rp 1"	80	63	120
32	Rp 1.1/4"	96	70	120
40	Rp 1.1/2"	106	87	150
50	Rp 2"	130	95	150



PACKAGING

	Rp 1/2"	Rp 3/4"	Rp 1"	Rp 1.1/4"	Rp 1.1/2"	Rp 2"
CODE	7950A104	7950A106	7950A108	7950A110	7950A111	7950A113
PCS BOX	12	10	8	-	-	-
PCS CARTON	120	120	72	25	16	8

GAS BALL VALVES

MISSOURI

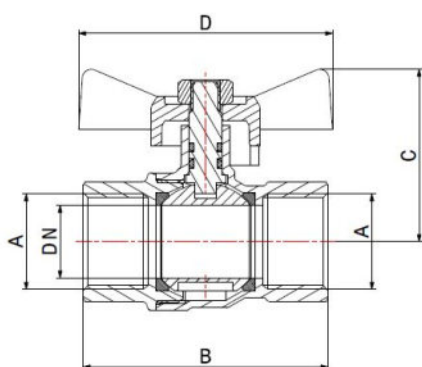
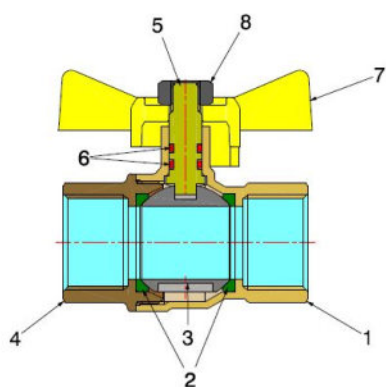
795200



- F/F gas ball valve with T handle
- Female thread EN 10226-1
- Pressure class MOP 5
- Temperature range min -20°C - max +60°C

Valve produced according to EN331 standard class MOP5, suitable for distributing and interrupting low pressure gases. Plumbing and heating systems and industrial sector are the ideal fields of application. It's a full bore valve and the ball seal is guaranteed by two PTFE seats.

The operating mechanism seal features two VITON® O-Rings with an internally installed stem and anti-ejection system.



COMPONENTS

POS.	PART NAME	N°	MATERIAL
1	Body	1	CW617N UNI-EN 12165 nickel-plated
2	Seal	2	Virgin PTFE
3	Ball	1	CW617N UNI-EN 12165 chrome-plated
4	End connection	1	CW617N UNI-EN 12165 nickel-plated
5	Stem	1	CW617N UNI-EN 12164
6	O-Ring	2	VITON®
7	"T" handle	1	Lacquered aluminium
8	Nut	1	Galvanised iron

DIMENSIONS

DN	A	B	C	D
15	Rp 1/2"	59	41	50
20	Rp 3/4"	68	47	67
25	Rp 1"	80	52	67

PACKAGING

	Rp 1/2"	Rp 3/4"	Rp 1"
CODE	79520004	79520006	79520008
PCS BOX	12	10	8
PCS CARTON	120	120	72

GAS BALL VALVES

MISSOURI

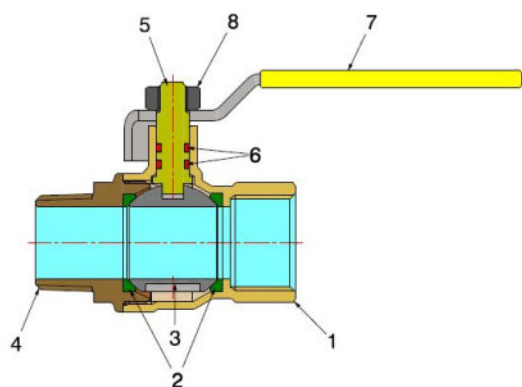
795501



- M/F gas ball valve with iron lever
- Male-female thread EN 10226-1
- Pressure class MOP 5
- Temperature range min -20°C - max +60°C

Valve produced according to EN331 standard class MOP5, suitable for distributing and interrupting low pressure gases. Plumbing and heating systems and industrial sector are the ideal fields of application. It's a full bore valve and the ball seal is guaranteed by two PTFE seats.

The operating mechanism seal features two VITON® O-Rings with an internally installed stem and anti-ejection system.



COMPONENTS

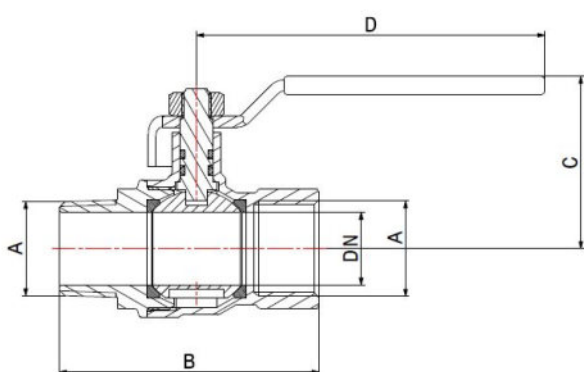
POS.	PART NAME	N°	MATERIAL
1	Body	1	CW617N UNI-EN 12165 nickel-plated
2	Seal	2	Virgin PTFE
3	Ball	1	CW617N UNI-EN 12165 chrome-plated
4	End connection	1	CW617N UNI-EN 12165 nickel-plated
5	Stem	1	CW617N UNI-EN 12164
6	O-Ring	2	VITON®
7	Lever	1	Galvanised iron and PVC coated
8	Nut	1	Galvanised iron

DIMENSIONS

DN	A	B	C	D
15	Rp 1/2"	65	41	95
20	Rp 3/4"	72	46	95
25	Rp 1"	86	56	120

DIMENSIONS - ARTICLES ON DEMAND

DN	A	B	C	D
32	Rp 1.1/4"	101	63	120
40	Rp 1.1/2"	113	80	150
50	Rp 2"	134	88	150



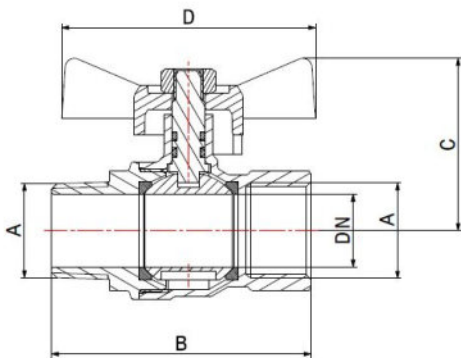
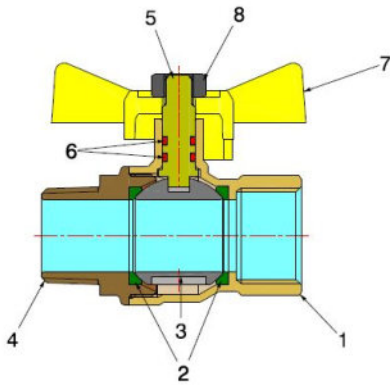
PACKAGING

	Rp 1/2"	Rp 3/4"	Rp 1"	Rp 1.1/4"	Rp 1.1/2"	Rp 2"
CODE	79550104	79550106	79550108	79550110	79550111	79550113
PCS BOX	12	10	8	-	-	-
PCS CARTON	120	120	72	20	16	10

GAS BALL VALVES

MISSOURI

795500



- M/F gas ball valve with T handle
- Male-female thread EN 10226-1
- Pressure class MOP 5
- Temperature range min -20°C - max + 60°C

Valve produced according to EN331 standard class MOP5, suitable for distributing and interrupting low pressure gases. Plumbing and heating systems and industrial sector are the ideal fields of application. It's a full bore valve and the ball seal is guaranteed by two PTFE seats.

The operating mechanism seal features two VITON® O-Rings with an internally installed stem and anti-ejection system.

COMPONENTS

POS.	PART NAME	N°	MATERIAL
1	Body	1	CW617N UNI-EN 12165 nickel-plated
2	Seal	2	Virgin PTFE
3	Ball	1	CW617N UNI-EN 12165 chrome-plated
4	End connection	1	CW617N UNI-EN 12165 nickel-plated
5	Stem	1	CW617N UNI-EN 12164
6	O-Ring	2	VITON®
7	"T" handle	1	Lacquered aluminium
8	Nut	1	Galvanised iron

DIMENSIONS

DN	A	B	C	D
15	Rp 1/2"	65	41	50
20	Rp 3/4"	72	47	67
25	Rp 1"	86	52	67

PACKAGING

	Rp 1/2"	Rp 3/4"	Rp 1"
CODE	79550004	79550006	79550008
PCS BOX	12	10	8
PCS CARTON	120	120	72

BALL VALVES FOR SOLAR PLANTS

IDROSOLAR

799001

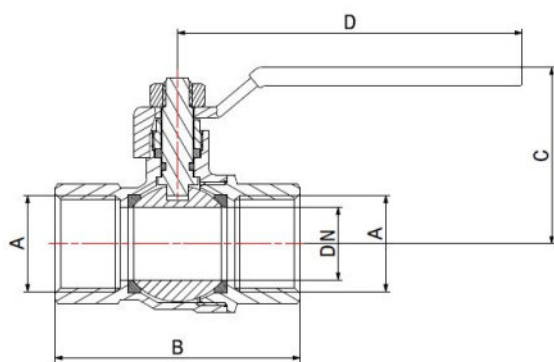
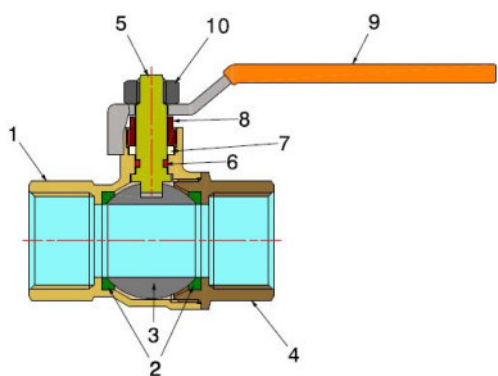


IDROSOLAR



- F/F ball valve for solar plants
- Thread EN 10226-1
- Temperature range min -10°C - max +200°C

Valve suitable for distributing and interrupting high-temperature heat transfer fluids, with a maximum glycol presence of 50%, and fluids that are generally non-corrosive, compatibly with the valve materials. Solar thermal industry is the ideal field of application. It's a full bore valve and the ball seal is guaranteed by two reinforced PTFE seats. The operating mechanism seal features a mixed system, consisting of a O-Ring suitable for high temperatures and a ring in special materials loaded with an adjustable gland. The stem is internally installed with an anti-ejection system. It is advisable to carry out a complete maneuver cycle at least once every three months in order to prevent limescale deposits that could compromise the valve functioning.



COMPONENTS

POS.	PART NAME	N°	MATERIAL
1	Body	1	CW617N UNI-EN 12165 nickel-plated
2	Seal	2	Special PTFE
3	Ball	1	CW617N UNI-EN 12165 chrome-plated
4	End connection	1	CW617N UNI-EN 12165 nickel-plated
5	Stem	1	CW617N UNI-EN 12164
6	O-Ring	1	Compound for high temperature
7	Washer	1	Special compound
8	Gland	1	CW617N UNI-EN 12164
9	Lever	1	Galvanised iron and PVC coated
10	Nut	1	Galvanised iron

DIMENSIONS

DN	A	B	C	D
10	Rp 3/8"	51	40	87
15	Rp 1/2"	59	43	95
20	Rp 3/4"	68	48	95
25	Rp 1"	80	57	120
32	Rp 1.1/4"	96	65	120
40	Rp 1.1/2"	106	82	150
50	Rp 2"	130	90	150

PACKAGING

	Rp 3/8"	Rp 1/2"	Rp 3/4"	Rp 1"	Rp 1.1/4"	Rp 1.1/2"	Rp 2"
CODE	79900103	79900104	79900106	79900108	79900110	79900111	79900113
PCS BOX	12	12	10	8	-	-	-
PCS CARTON	120	120	120	72	25	16	10

WATER BALL VALVES

IDROGREEN

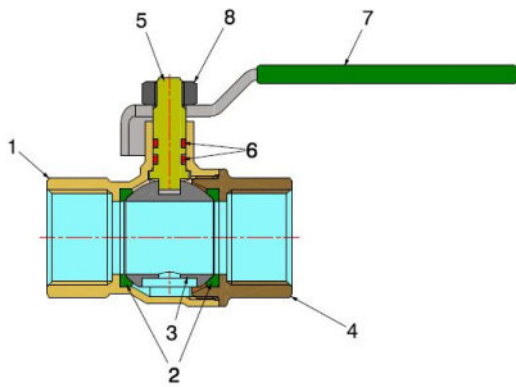
797001



- F/F ecological ball valve
- Thread EN 10226-1
- Temperature range min 0°C - max +95°C



Valve produced according to EU standard EN13828 and suitable for distributing and interrupting water intended for human consumption. Plumbing and heating sector is the ideal field of application. It's a full bore valve and the ball seal is guaranteed by two PTFE seats. The perforated ball prevents water from stagnating inside the valve, hindering the proliferation of harmful bacteria. The operating mechanism seal features two EPDM PEROX O-Rings with an internally installed stem and anti-ejection system. It is advisable to carry out a complete maneuver cycle at least once every three months in order to prevent limescale deposits that could compromise the valve functioning.

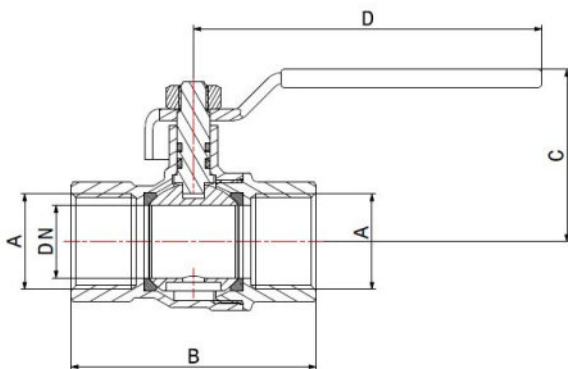


COMPONENTS

POS.	PART NAME	N°	MATERIAL
1	Body	1	CW617N UNI-EN 12165 nickel-plated
2	Seal	2	PTFE
3	Ball	1	CW617N UNI-EN 12165 chrome-plated
4	End connection	1	CW617N UNI-EN 12165 nickel-plated
5	Stem	1	CW617N UNI-EN 12164
6	O-Ring	2	EPDM Perox
7	Lever	1	Galvanised iron and PVC coated
8	Nut	1	Galvanised iron

DIMENSIONS

DN	A	B	C	D	PN
15	Rp 1/2"	59	41	95	40
20	Rp 3/4"	68	46	95	40
25	Rp 1"	80	56	120	40
32	Rp 1.1/4"	96	63	120	30
40	Rp 1.1/2"	106	80	150	30
50	Rp 2"	130	88	150	30



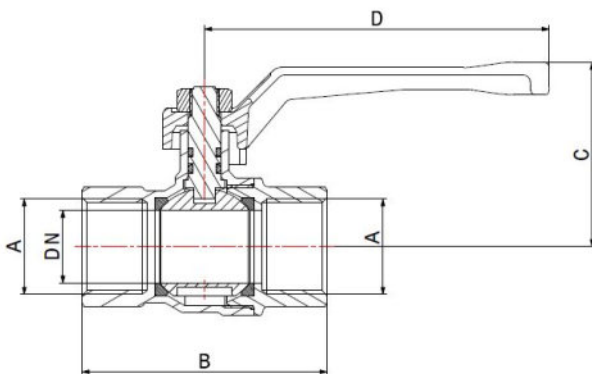
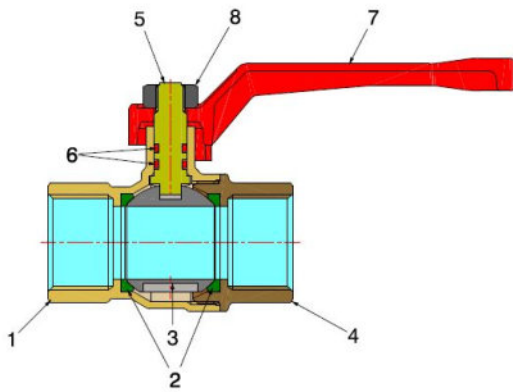
PACKAGING

	Rp 1/2"	Rp 3/4"	Rp 1"	Rp 1.1/4"	Rp 1.1/2"	Rp 2"
CODE	79700104	79700106	79700108	79700110	79700111	79700113
PCS BOX	12	10	8	-	-	-
PCS CARTON	120	120	72	25	16	10

WATER BALL VALVES

MISSOURI

795102



- F/F water ball valve with aluminium lever
- Thread EN 10226-1
- Temperature range min -10°C - max +95°C

Valve suitable for distributing and interrupting fluids that are generally non-corrosive, compatibly with the valve materials. Plumbing, heating, industrial and agricultural sectors are the ideal fields of application. It's a full bore valve and the ball seal is guaranteed by two PTFE seats.

The operating mechanism seal features two O-Rings with an internally installed stem and anti-ejection system.

It is advisable to carry out a complete maneuver cycle at least once every three months in order to prevent limescale deposits that could compromise the valve functioning.



COMPONENTS

POS.	PART NAME	N°	MATERIAL
1	Body	1	CW617N UNI-EN 12165 nickel-plated
2	Seal	2	PTFE
3	Ball	1	CW617N UNI-EN 12165 chrome-plated
4	End connection	1	CW617N UNI-EN 12165 nickel-plated
5	Stem	1	CW617N UNI-EN 12164
6	O-Ring	2	NBR
7	Lever	1	Lacquered aluminium
8	Nut	1	Galvanised iron

DIMENSIONS

DN	A	B	C	D	PN	KV*
15	Rp 1/2"	59	43	92	40	10,05
20	Rp 3/4"	68	52	115	40	21,57
25	Rp 1"	80	59	115	40	49,14
32	Rp 1.1/4"	96	69	125	30	68,65
40	Rp 1.1/2"	106	81	150	30	98,83
50	Rp 2"	130	89	150	30	177,04

PRESSURE DROP see chart at the end of catalogue

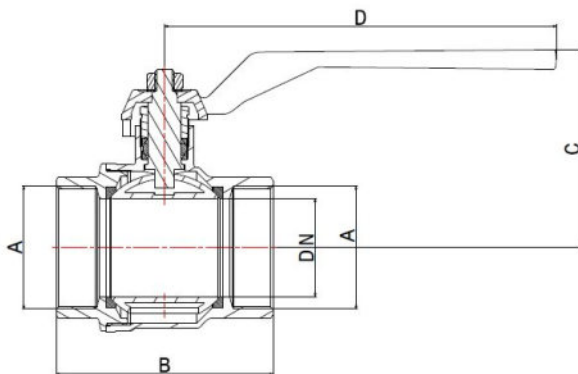
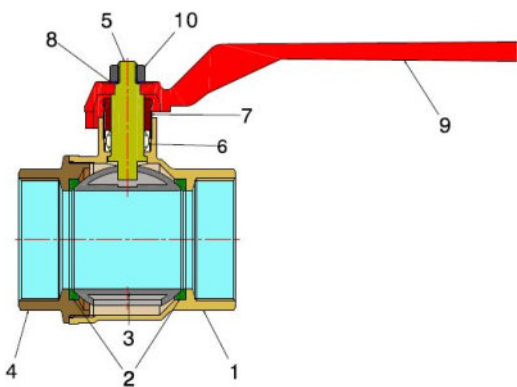
PACKAGING

	Rp 1/2"	Rp 3/4"	Rp 1"	Rp 1.1/4"	Rp 1.1/2"	Rp 2"
CODE	79510204	79510206	79510208	79510210	79510211	79510213
PCS BOX	12	10	8	-	-	-
PCS CARTON	120	100	72	25	16	8

WATER BALL VALVES

MISSOURI FROM 2.1/2" TO 4"

795102



- F/F water ball valve with gland packing and aluminium lever
- Thread ISO 228
- Temperature range min -10°C - max +95°C

Valve suitable for distributing and interrupting fluids that are generally non-corrosive, compatibly with the valve materials. Plumbing, heating, industrial and agricultural sectors are the ideal fields of application. It's a standard bore valve and the ball seal is guaranteed by two PTFE seats.

The operating mechanism seal features two PTFE sealing rings with adjustable gland, internally installed stem and anti-ejection system. It is advisable to carry out a complete maneuver cycle at least once every three months in order to prevent limescale deposits that could compromise the valve functioning.



COMPONENTS

POS.	PART NAME	N°	MATERIAL
1	Body	1	CW617N UNI-EN 12165 nickel-plated
2	Seal	2	PTFE
3	Ball	1	CW617N UNI-EN 12165 chrome-plated
4	End connection	1	CW617N UNI-EN 12165 nickel-plated
5	Stem	1	CW617N UNI-EN 12164
6	Gland packing	3	PTFE
7	Gland	1	CW614 UNI-EN 12164
9	Washer	1	CW508L UNI-EN 1652
10	Lever	1	Lacquered aluminium
11	Nut	1	Galvanised iron

DIMENSIONS

DN	A	B	C	D	PN
65	2.1/2"	132	109	240	20
80	3"	167	127	240	20
100	4"	200	160	240	20

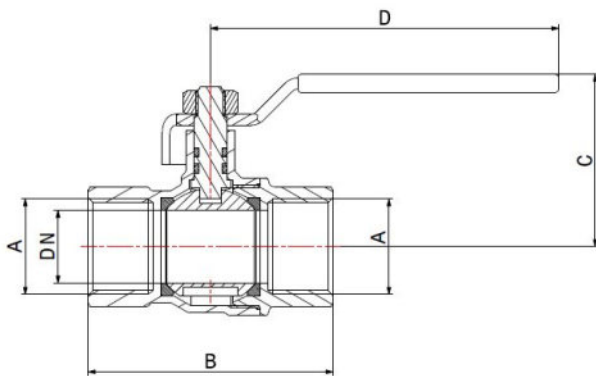
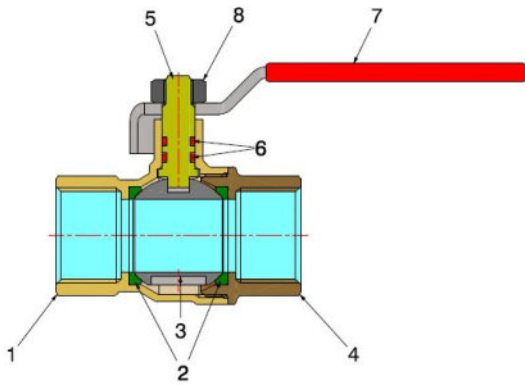
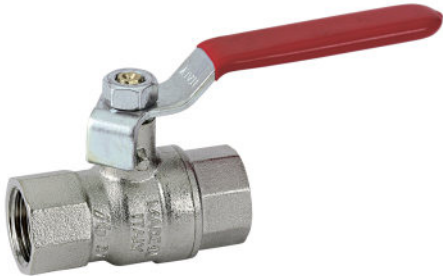
PACKAGING

	2.1/2"	3"	4"
CODE	79510215	79510217	79510219
PCS BOX	-	-	-
PCS CARTON	10	5	2

WATER BALL VALVES

MISSOURI

795101



- F/F water ball valve with iron lever
- Thread ISO 228
- Temperature range min -10°C - max +95°C

Valve suitable for distributing and interrupting fluids that are generally non-corrosive, compatibly with the valve materials. Plumbing, heating, industrial and agricultural sectors are the ideal fields of application. It's a standard bore valve and the ball seal is guaranteed by two PTFE seats. The operating mechanism seal features two O-Rings with adjustable gland, internally installed stem and anti-ejection system. It is advisable to carry out a complete maneuver cycle at least once every three months in order to prevent limescale deposits that could compromise the valve functioning.

COMPONENTS

POS.	PART NAME	N°	MATERIAL
1	Body	1	CW617N UNI-EN 12165 nickel-plated
2	Seal	2	PTFE
3	Ball	1	CW617N UNI-EN 12165 chrome-plated
4	End connection	1	CW617N UNI-EN 12165 nickel-plated
5	Stem	1	CW617N UNI-EN 12164
6	O-Ring	2	NBR
7	Lever	1	Galvanised iron and PVC coated
8	Nut	1	Galvanised iron

DIMENSIONS

DN	A	B	C	D	PN	KV*
15	Rp 1/2"	59	41	95	40	10,05
20	Rp 3/4"	68	46	95	40	21,57
25	Rp 1"	80	56	120	40	49,14
32	Rp 1.1/4"	96	63	120	30	68,65
40	Rp 1.1/2"	106	80	150	30	98,83
50	Rp 2"	130	88	150	30	177,04

PRESSURE DROP see chart at the end of catalogue

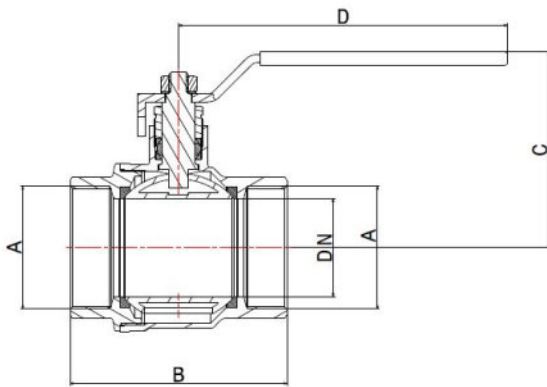
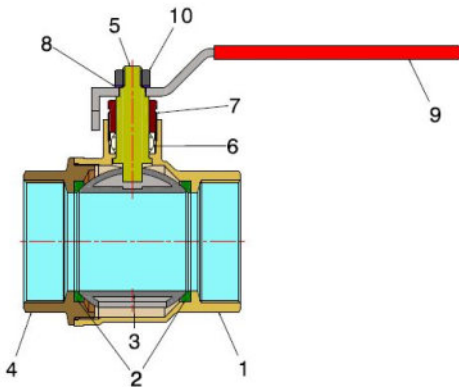
PACKAGING

	Rp 1/2"	Rp 3/4"	Rp 1"	Rp 1.1/4"	Rp 1.1/2"	Rp 2"
CODE	79510104	79510106	79510108	79510110	79510111	79510113
PCS BOX	12	10	8	-	-	-
PCS CARTON	120	120	72	20	16	8

WATER BALL VALVES

MISSOURI FROM 2.1/2" TO 4"

795101



- F/F water ball valve with gland packing iron lever
- Thread ISO 228
- Temperature range min -10°C - max +95°C

Valve suitable for distributing and interrupting fluids that are generally non-corrosive, compatibly with the valve materials. Plumbing, heating, industrial and agricultural sectors are the ideal fields of application. It's a standard bore valve and the ball seal is guaranteed by two PTFE seats.

The operating mechanism seal features two PTFE sealing rings with adjustable gland, internally installed stem and anti-ejection system. It is advisable to carry out a complete maneuver cycle at least once every three months in order to prevent limescale deposits that could compromise the valve functioning.

COMPONENTS

POS.	PART NAME	N°	MATERIAL
1	Body	1	CW617N UNI-EN 12165 nickel-plated
2	Seal	2	PTFE
3	Ball	1	CW617N UNI-EN 12165 chrome-plated
4	End connection	1	CW617N UNI-EN 12165 nickel-plated
5	Stem	1	CW617N UNI-EN 12164
6	Gland packing	3	PTFE
7	Gland	1	CW614N UNI-EN 12164
8	Washer	1	CW508L UNI-EN 1652
9	Lever	1	Galvanised iron and PVC coated
10	Nut	1	Galvanised iron

DIMENSIONS

DN	A	B	C	D	PN
65	2.1/2"	132	108	200	20
80	3"	167	126	200	20
100	4"	200	159	280	20

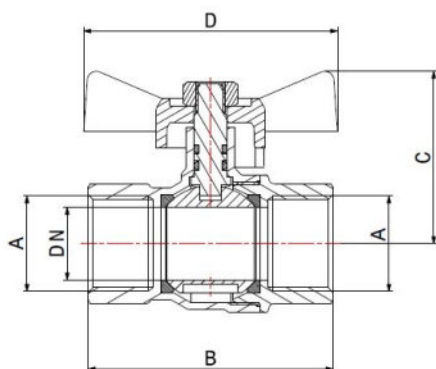
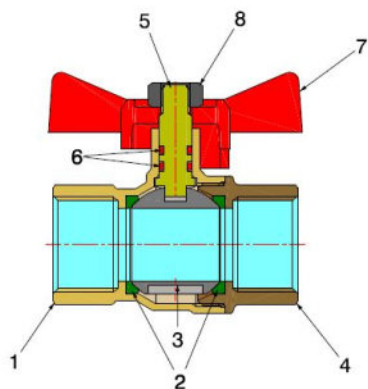
PACKAGING

	2.1/2"	3"	4"
CODE	79510115	79510117	79510119
PCS BOX	-	-	-
PCS CARTON	10	5	2

WATER BALL VALVES

MISSOURI

795300



- F/F water ball valve with T handle
- Thread EN 10226-1
- Temperature range min -10°C - max +95°C

Valve suitable for distributing and interrupting fluids that are generally non-corrosive, compatibly with the valve materials. Plumbing, heating, industrial and agricultural sectors are the ideal fields of application. It's a full bore valve and the ball seal is guaranteed by two PTFE seats.

The operating mechanism seal features two O-Rings with an internally installed stem and anti-ejection system.

It is advisable to carry out a complete maneuver cycle at least once every three months in order to prevent limescale deposits that could compromise the valve functioning.

COMPONENTS

POS.	PART NAME	N°	MATERIAL
1	Body	1	CW617N UNI-EN 12165 nickel-plated
2	Seal	2	PTFE
3	Ball	1	CW617N UNI-EN 12165 chrome-plated
4	End connection	1	CW617N UNI-EN 12165 nickel-plated
5	Stem	1	CW617N UNI-EN 12164
6	O-Ring	2	VITON®
7	"T" handle	1	Lacquered aluminium
8	Nut	1	Galvanised iron

DIMENSIONS

DN	A	B	C	D	PN	KV*
15	Rp 1/2"	59	41	50	40	10,05
20	Rp 3/4"	68	47	67	40	21,57
25	Rp 1"	80	52	67	40	49,14

PRESSURE DROP see chart at the end of catalogue

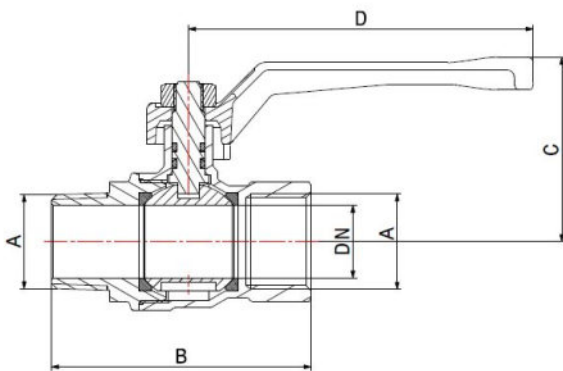
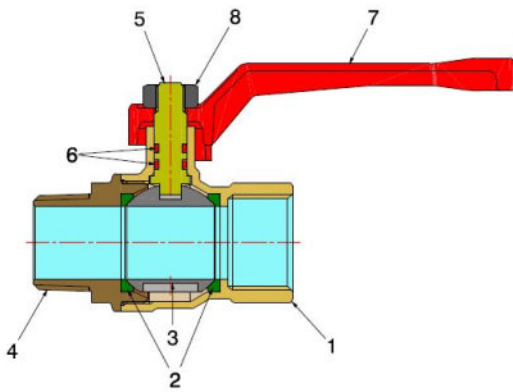
PACKAGING

	Rp 1/2"	Rp 3/4"	Rp 1"
CODE	79530004	79530006	79530008
PCS BOX	12	10	8
PCS CARTON	120	120	72

WATER BALL VALVES

MISSOURI

795702



- M/F water ball valve with aluminium lever
- Thread EN 10226-1
- Temperature range min -10°C - max +95°C

Valve suitable for distributing and interrupting fluids that are generally non-corrosive, compatibly with the valve materials. Plumbing, heating, industrial and agricultural sectors are the ideal fields of application. It's a full bore valve and the ball seal is guaranteed by two PTFE seats.

The operating mechanism seal features two O-Rings with an internally installed stem and anti-ejection system.

It is advisable to carry out a complete maneuver cycle at least once every three months in order to prevent limescale deposits that could compromise the valve functioning.

COMPONENTS

POS.	PART NAME	N°	MATERIAL
1	Body	1	CW617N UNI-EN 12165 nickel-plated
2	Seal	2	PTFE
3	Ball	1	CW617N UNI-EN 12165 chrome-plated
4	End connection	1	CW617N UNI-EN 12165 nickel-plated
5	Stem	1	CW617N UNI-EN 12164
6	O-Ring	2	NBR
7	Lever	1	Lacquered aluminium
8	Nut	1	Galvanised iron

DIMENSIONS

DN	A	B	C	D	PN	KV*
15	Rp 1/2"	65	43	92	40	10,05
20	Rp 3/4"	72	52	115	40	21,57
25	Rp 1"	86	59	115	40	49,14

PRESSURE DROP see chart at the end of catalogue

DIMENSIONS - ARTICLES ON DEMAND

DN	A	B	C	D	PN	KW*
32	Rp 1.1/4"	101	69	125	30	68,65
40	Rp 1.1/2"	113	81	150	30	98,83
50	Rp 2"	134	89	150	30	177,04

PRESSURE DROP see chart at the end of catalogue

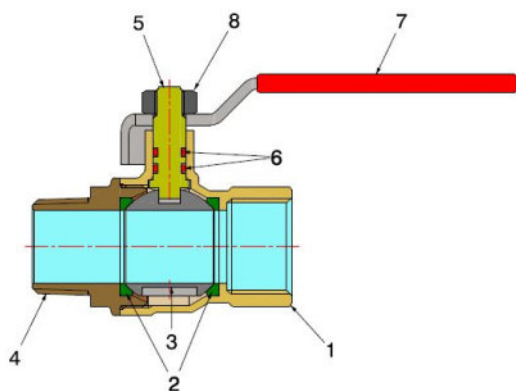
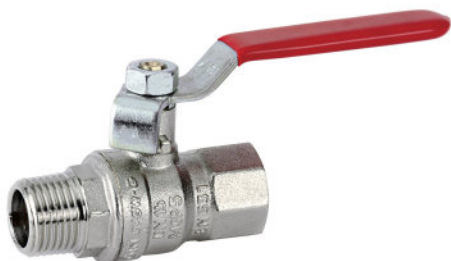
PACKAGING

	Rp 1/2"	Rp 3/4"	Rp 1"	Rp 1.1/4"	Rp 1.1/2"	Rp 2"
CODE	79570204	79570206	79570208	79570210	79570211	79570213
PCS BOX	12	10	8	-	-	-
PCS CARTON	120	100	72	25	16	8

WATER BALL VALVES

MISSOURI

795701



- M/F water ball valve with iron lever
- Thread EN 10226-1
- Temperature range min -10°C - max +95°C

Valve suitable for distributing and interrupting fluids that are generally non-corrosive, compatibly with the valve materials. Plumbing, heating, industrial and agricultural sectors are the ideal fields of application. It's a full bore valve and the ball seal is guaranteed by two PTFE seats.

The operating mechanism seal features two O-Rings with an internally installed stem and anti-ejection system.

It is advisable to carry out a complete maneuver cycle at least once every three months in order to prevent limescale deposits that could compromise the valve functioning.

COMPONENTS

POS.	PART NAME	N°	MATERIAL
1	Body	1	CW617N UNI-EN 12165 nickel-plated
2	Seal	2	PTFE
3	Ball	1	CW617N UNI-EN 12165 chrome-plated
4	End connection	1	CW617N UNI-EN 12165 nickel-plated
5	Stem	1	CW617N UNI-EN 12164
6	O-Ring	2	NBR
7	Lever	1	Galvanised iron and PVC coated
8	Nut	1	Galvanised iron

DIMENSIONS

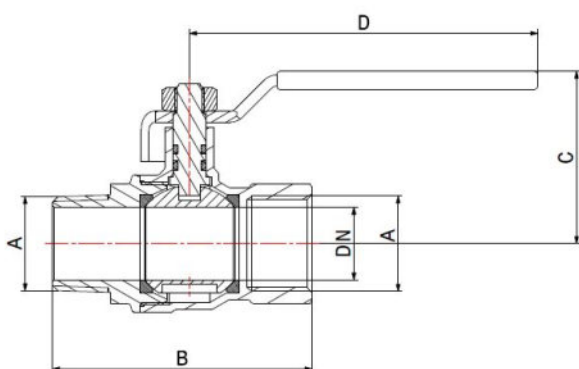
DN	A	B	C	D	PN	KV*
15	Rp 1/2"	65	41	95	40	10,05
20	Rp 3/4"	72	46	95	40	21,57
25	Rp 1"	86	56	120	40	49,14

PRESSURE DROP see chart at the end of catalogue

DIMENSIONS - ARTICLES ON DEMAND

DN	A	B	C	D	PN	KV*
32	Rp 1.1/4"	101	63	120	30	68,65
40	Rp 1.1/2"	113	80	150	30	98,83
50	Rp 2"	134	88	150	30	177,04

PRESSURE DROP see chart at the end of catalogue



PACKAGING

	Rp 1/2"	Rp 3/4"	Rp 1"	Rp 1.1/4"	Rp 1.1/2"	Rp 2"
CODE	79570104	79570106	79570108	79570110	79570111	79570113
PCS BOX	12	10	8	-	-	-
PCS CARTON	120	120	72	20	16	8

WATER BALL VALVES

MISSOURI

795700

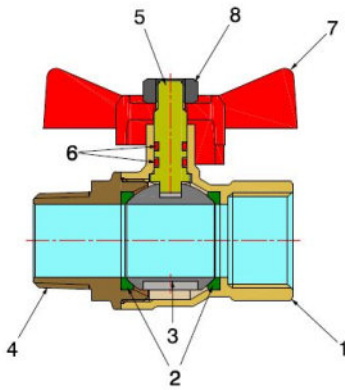


- M/F water ball valve with T handle
- Thread EN 10226-1
- Temperature range min -10°C - max +95°C

Valve suitable for distributing and interrupting fluids that are generally non-corrosive, compatibly with the valve materials. Plumbing, heating, industrial and agricultural sectors are the ideal fields of application. It's a full bore valve and the ball seal is guaranteed by two PTFE seats.

The operating mechanism seal features two O-Rings with an internally installed stem and anti-ejection system.

It is advisable to carry out a complete maneuver cycle at least once every three months in order to prevent limescale deposits that could compromise the valve functioning.



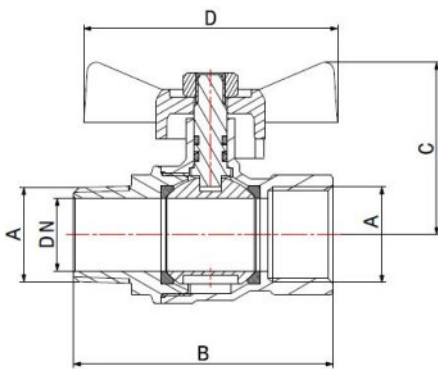
COMPONENTS

POS.	PART NAME	N°	MATERIAL
1	Body	1	CW617N UNI-EN 12165 nickel-plated
2	Seal	2	PTFE
3	Ball	1	CW617N UNI-EN 12165 chrome-plated
4	End connection	1	CW617N UNI-EN 12165 nickel-plated
5	Stem	1	CW617N UNI-EN 12164
6	O-Ring	2	NBR
7	"T" handle	1	Lacquered aluminium
8	Nut	1	Galvanised iron

DIMENSIONS

DN	A	B	C	D	PN	KV*
15	Rp 1/2"	65	41	50	40	10,05
20	Rp 3/4"	72	47	67	40	21,57
25	Rp 1"	86	52	67	40	49,14

PRESSURE DROP see chart at the end of catalogue



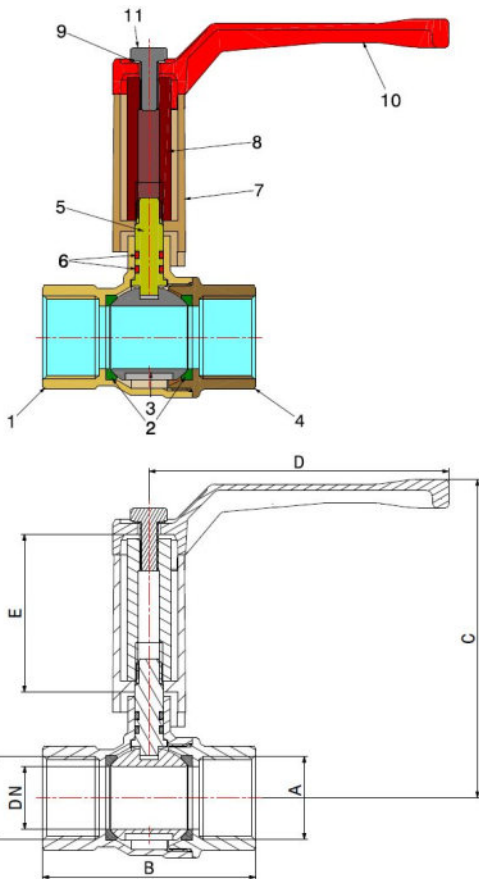
PACKAGING

	Rp 1/2"	Rp 3/4"	Rp 1"
CODE	79570004	79570006	79570008
PCS BOX	12	10	8
PCS CARTON	120	120	72

WATER BALL VALVES

MISSOURI

795402



- F/F water ball valve with thermal protection extension
- ½" – 2" thread EN 10226-1
- 2½" – 4" thread ISO 228
- Temperature range min -10°C - max +95°C

Valve suitable for distributing and interrupting fluids that are generally non-corrosive, compatibly with the valve materials. Plumbing, heating, industrial and agricultural sectors are the ideal fields of application. It's a full bore valve and the ball seal is guaranteed by two PTFE seats.

The operating mechanism seal features two O-Rings with an internally installed stem and anti-ejection system.

It is advisable to carry out a complete maneuver cycle at least once every three months in order to prevent limescale deposits that could compromise the valve functioning.

COMPONENTS

POS.	DESCRIZIONE	N°	MATERIALE
1	Body	1	CW617N UNI-EN 12165 nickel-plated
2	Seal	2	PTFE
3	Ball	1	CW617N UNI-EN 12165 chrome-plated
4	End connection	1	CW617N UNI-EN 12165 nickel-plated
5	Stem	1	CW617N UNI-EN 12164
6	O-Ring	2	NBR
7	Extension	1	CW617N UNI-EN 12165 nickel-plated
8	Screw stay	1	CW617N UNI-EN 12164
9	Washer	1	Galvanised iron
10	Lever	1	Lacquered aluminium
11	Screw	1	Galvanised iron

DIMENSIONS

DN	A	B	C	D	PN	KV*
15	Rp 1/2"	59	93	92	40	10,05
20	Rp 3/4"	68	102	92	40	21,57
25	Rp 1"	80	109	115	40	49,14
32	Rp 1.1/4"	96	119	125	30	68,65
40	Rp 1.1/2"	106	131	150	30	98,83
50	Rp 2"	130	139	150	30	177,04

PRESSURE DROP see chart at the end of catalogue

DIMENSIONS - ARTICLES ON DEMAND

DN	A	B	C	D	PN	KV*
65	2.1/2"	132	159	240	20	-
80	3"	167	177	240	20	-
100	4"	200	210	240	10	-

PACKAGING

	Rp 1/2"	Rp 3/4"	Rp 1"	Rp 1.1/4"	Rp 1.1/2"	Rp 2"	2.1/2"	3"	4"
CODE	79540204	79540206	79540208	79540210	79540211	79540213	79540215	79540217	79540219
PCS BOX	8	8	4	-	-	-	-	-	-
PCS CARTON	80	80	40	15	10	10	2	1	1

WATER BALL VALVES

MISSOURI

795601



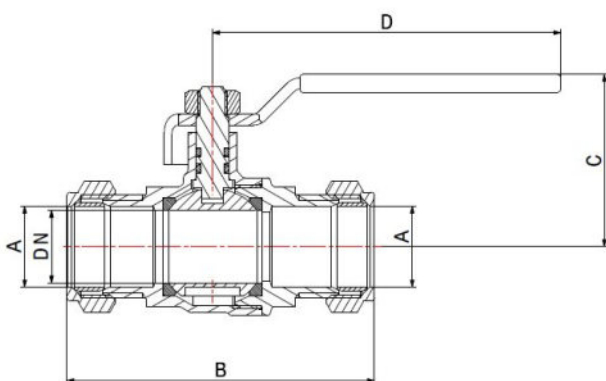
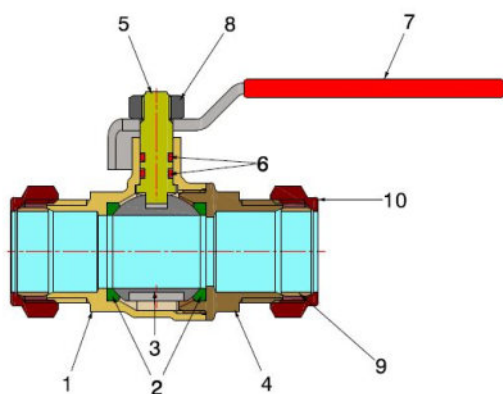
- Water ball valve with compression ends
- Temperature range min -10°C - max +95°C



Valve suitable for distributing and interrupting fluids that are generally non-corrosive, compatibly with the valve materials. Plumbing, heating, industrial and agricultural sectors are the ideal fields of application. It's a full bore valve and the ball seal is guaranteed by two PTFE seats.

The operating mechanism seal features two O-Rings with an internally installed stem and anti-ejection system.

It is advisable to carry out a complete maneuver cycle at least once every three months in order to prevent limescale deposits that could compromise the valve functioning.



COMPONENTS

POS.	PART NAME	N°	MATERIAL
1	Body	1	CW617N UNI-EN 12165 nickel-plated
2	Seal	2	PTFE
3	Ball	1	CW617N UNI-EN 12165 chrome-plated
4	End connection	1	CW617N UNI-EN 12165 nickel-plated
5	Stem	1	CW617N UNI-EN 1214
6	O-Ring	2	NBR
7	Lever	1	Galvanised iron and PVC coated
8	Nut	1	Galvanised iron
9	Ogive	2	CW617N UNI-EN 12164
10	Nut	2	CW617N UNI-EN 12165 nickel-plated

DIMENSIONS

DN	A	B	C	D	PN
15	15	79	42	95	40
20	22	85	46	95	40
25	28	102	58	120	40

PACKAGING

	15	22	28
CODE	79560115R	79560122R	79560128R
PCS BOX	12	10	8
PCS CARTON	120	100	40

WATER BALL VALVES

MISSOURI

796001



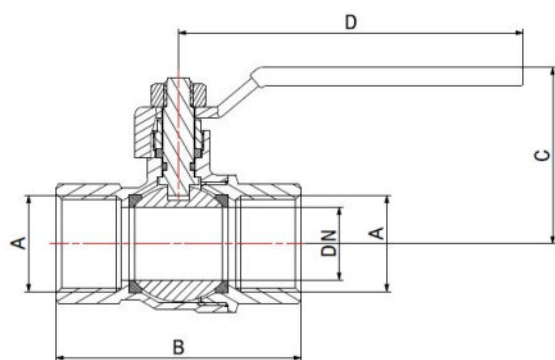
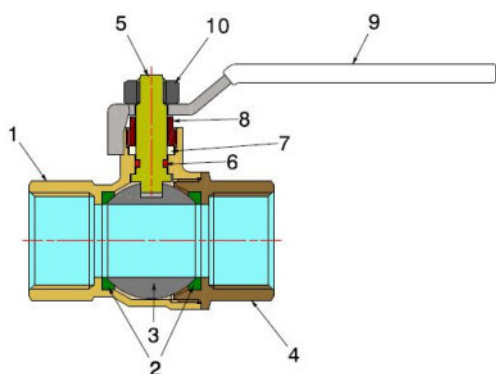
- DZR F/F water ball valve with iron lever
- Thread ISO 228
- Temperature range min -10°C - max +120°C



Valve suitable for distributing and interrupting fluids that could cause dezincification problems. Plumbing and heating systems and industrial sector are the ideal fields of application. It's a full bore valve and the ball seal is guaranteed by two PTFE seats.

The operating mechanism seal features an adjustable gland with a PTFE ring and a EPDM PEROX O-Ring. The stem is internally installed with an anti-ejection system.

It is advisable to carry out a complete maneuver cycle at least once every three months in order to prevent limescale deposits that could compromise the valve functioning.



COMPONENTS

POS.	PART NAME	N°	MATERIAL
1	Body	1	CW617N UNI-EN 12165 nickel-plated
2	Seal	2	PTFE
3	Ball	1	CW617N UNI-EN 12165 chrome-plated
4	End connection	1	CW617N UNI-EN 12165 nickel-plated
5	Stem	1	CW617N UNI-EN 12164
6	O-Ring	1	EPDM Perox
7	Gland packing	1	PTFE
8	Gland	1	CW617N UNI-EN 12164
9	Lever	1	Galvanised iron and PVC coated
10	Nut	1	Galvanised iron

DIMENSIONS

DN	A	B	C	D	PN	*KV
10	3/8"	51	40	95	40	-
15	1/2"	59	42	95	40	10,05
20	3/4"	68	47	95	40	21,57
25	1"	80	58	120	40	49,14
32	1.1/4"	96	67	120	30	68,65
40	1.1/2"	106	83	150	30	98,83
50	2"	130	90	150	30	177,04

PRESSURE DROP see chart at the end of catalogue

PACKAGING

	3/8"	1/2"	3/4"	1"	1.1/4"	1.1/2"	2"
CODE	79600103W	79600104W	79600106W	79600108W	79600110W	79600111W	79600113W
PCS BOX	20	12	10	8	-	-	-
PCS CARTON	200	120	120	72	25	16	8

WATER BALL VALVES

MISSOURI

796402

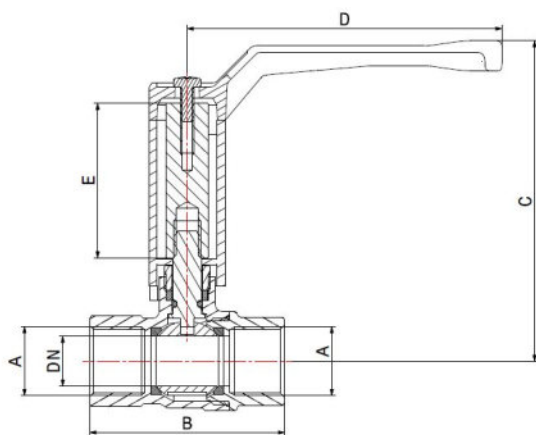
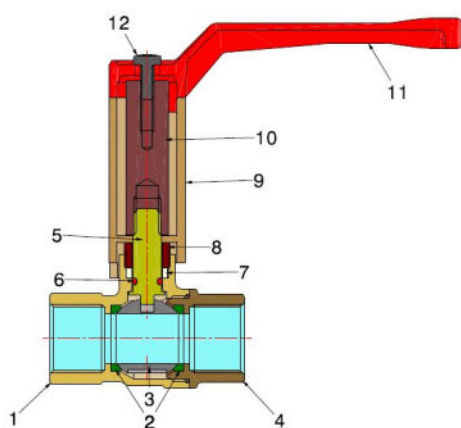


- DZR water ball valve with thermal protection extension
- Thread ISO 228
- Temperature range min -10°C - max +120°C

Valve suitable for distributing and interrupting fluids that could cause dezincification problems. Plumbing and heating systems and industrial sector are the ideal fields of application. It's a full bore valve and the ball seal is guaranteed by two PTFE seats.

The operating mechanism seal features an adjustable gland with a PTFE ring and a EPDM PEROX O-Ring. The stem is internally installed with an anti-ejection system.

It is advisable to carry out a complete maneuver cycle at least once every three months in order to prevent limescale deposits that could compromise the valve functioning.



COMPONENTS

POS.	PART NAME	N°	MATERIAL
1	Body	1	CW617N UNI-EN 12165
2	Seal	2	PTFE
3	Ball	1	CW602N UNI-EN 12165 chrome-plated
4	End connection	1	CW602N UNI-EN 12165
5	Stem	1	CW602N UNI-EN 12164
6	O-Ring	1	EPDM Perox
7	Gland packing	1	PTFE
8	Gland	1	CW617N UNI-EN 12164
9	Extension	1	CW617N UNI-EN 12165 nickel-plated
10	Screw stay	1	CW617N UNI-EN 12164
11	Lever	1	Lacquered aluminium
12	Screw	1	Galvanised iron

DIMENSIONS

DN	A	B	C	D	PN	KV*
15	1/2"	59	94	92	40	10,05
20	3/4"	68	103	92	40	21,57
25	1"	80	111	115	40	49,14
32	1.1/4"	96	123	115	30	68,65
40	1.1/2"	106	134	150	30	98,83
50	2"	130	139	150	30	177,04

PRESSURE DROP see chart at the end of catalogue

PACKAGING

	1/2"	3/4"	1"	1.1/4"	1.1/2"	2"
CODE	79640204R	79640206R	79640208R	79640210R	79640211R	79640213R
PCS BOX	8	8	4	-	-	-
PCS CARTON	80	80	40	15	10	10

WATER BALL VALVES

MISSOURI

796601



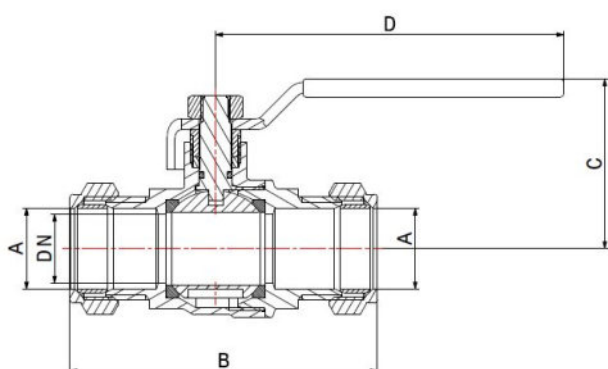
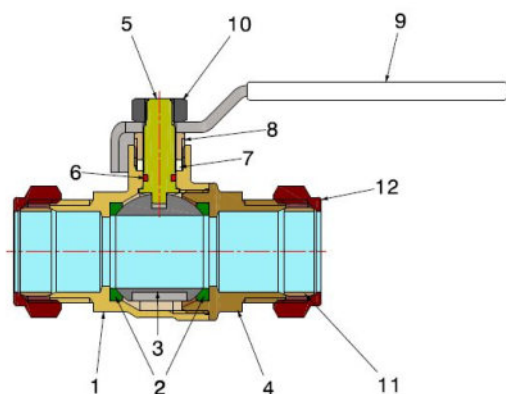
- DZR water ball valve with compression ends
- Temperature range min -10°C - max +120°C



Valve suitable for distributing and interrupting fluids that could cause dezincification problems. Plumbing and heating systems and industrial sector are the ideal fields of application. It's a full bore valve and the ball seal is guaranteed by two PTFE seats.

The operating mechanism seal features an adjustable gland with a PTFE ring and a EPDM PEROX O-Ring. The stem is internally installed with an anti-ejection system.

It is advisable to carry out a complete maneuver cycle at least once every three months in order to prevent limescale deposits that could compromise the valve functioning.



COMPONENTS

POS.	PART NAME	N°	MATERIAL
1	Body	1	CW602N UNI-EN 12165
2	Seal	2	PTFE
3	Ball	1	CW602N UNI-EN 12165 chrome-plated
4	End connection	1	CW602N UNI-EN 12165
5	Stem	1	CW602N UNI-EN 12165
6	O-Ring	1	EPDM Perox
7	Gland packing	1	PTFE
8	Gland	1	CW617N UNI-EN 12164
9	Lever	1	Galvanised iron and PVC coated
10	Nut	1	Galvanised iron
11	Ogive	2	CW617N UNI-EN 12164
12	Nut	2	CW617N UNI-EN 12165

DIMENSIONS

DN	A	B	C	D	PN
10	12	78	40	95	40
15	15	79	42	95	40
15	18	80	42	95	40
20	22	85	47	95	40
25	28	100	58	120	40
32	35	115	66	120	30

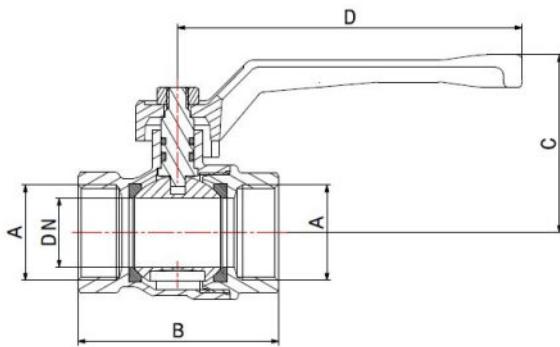
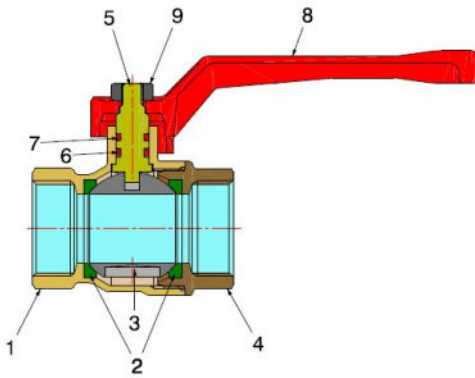
PACKAGING

	12	15	18	22	28	35
CODE	79660112W	79660115W	79660118W	79660122W	79660128W	79660135W
PCS BOX	12	12	12	10	8	-
PCS CARTON	120	120	120	100	40	20

WATER BALL VALVES

TAMIGI

760002



- F/F water ball valve with aluminium lever
- Thread ISO 228
- Temperature range min -10°C - max +120°C

Valve suitable for distributing and interrupting fluids that are generally non-corrosive, compatibly with the valve materials. Plumbing, heating, industrial and agricultural sectors are the ideal fields of application. It's a full bore valve and the ball seal is guaranteed by two PTFE seats.

The operating mechanism seal features two O-Rings with an internally installed stem and anti-ejection system.

It is advisable to carry out a complete maneuver cycle at least once every three months in order to prevent limescale deposits that could compromise the valve functioning.



COMPONENTS

POS.	PART NAME	N°	MATERIAL
1	Body	1	CW617N UNI-EN 12165 nickel-plated
2	Seal	2	PTFE
3	Ball	1	CW617N UNI-EN 12165 chrome-plated
4	End connection	1	CW617N UNI-EN 12165 nickel-plated
5	Stem	1	CW617N UNI-EN 12164
6	O-Ring	1	EPDM Perox
7	O-Ring	1	FKM
8	Lever	1	Lacquered aluminium
9	Nut	1	Galvanised iron

DIMENSIONS

DN	A	B	C	D	PN	KV*
8	1/4"	39	39	95	40	-
10	3/8"	39	39	95	40	-
15	1/2"	49	45	95	40	10,05
20	3/4"	55	49	95	40	24,56
25	1"	65	56	123	40	51,21
32	1.1/4"	77	69	123	30	68,65
40	1.1/2"	90	80	150	30	98,83
50	2"	104	87	150	30	177,04

PRESSURE DROP see chart at the end of catalogue

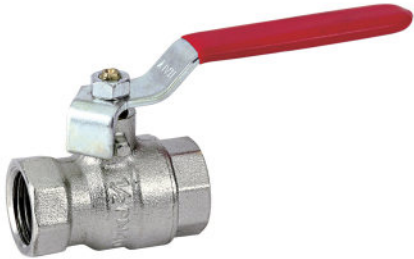
PACKAGING

	1/4"	3/8"	1/2"	3/4"	1"	1.1/4"	1.1/2"	2"
CODE	76000202R	76000203R	76000204R	76000206R	76000208R	76000210R	76000211R	76000213R
PCS BOX	25	25	20	15	8	-	-	-
PCS CARTON	300	300	200	150	80	30	18	12

WATER BALL VALVES

TAMIGI

760001

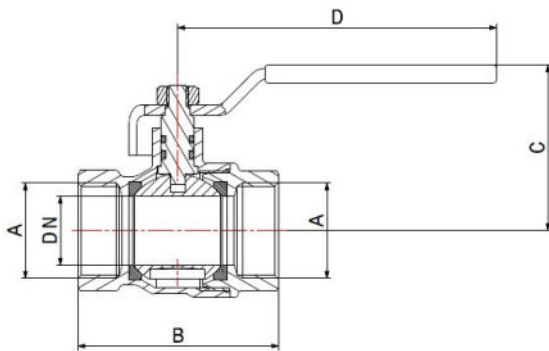
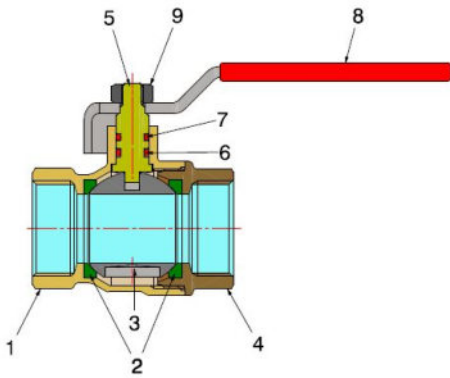


- F/F water ball valve with iron lever
- Thread ISO 228
- Temperature range min -10°C - max +120°C

Valve suitable for distributing and interrupting fluids that are generally non-corrosive, compatibly with the valve materials. Plumbing, heating, industrial and agricultural sectors are the ideal fields of application. It's a full bore valve and the ball seal is guaranteed by two PTFE seats.

The operating mechanism seal features two O-Rings with an internally installed stem and anti-ejection system.

It is advisable to carry out a complete maneuver cycle at least once every three months in order to prevent limescale deposits that could compromise the valve functioning.



COMPONENTS

POS.	PART NAME	N°	MATERIAL
1	Body	1	CW617N UNI-EN 12165 nickel-plated
2	Seal	2	PTFE
3	Ball	1	CW617N UNI-EN 12165 chrome-plated
4	End connection	1	CW617N UNI-EN 12165 nickel-plated
5	Stem	1	CW617N UNI-EN 12164
6	O-Ring	1	EPDM Perox
7	O-Ring	1	FKM
8	Lever	1	Galvanised iron and PVC coated
9	Nut	1	Galvanised iron

DIMENSIONS

DN	A	B	C	D	PN	KV*
8	1/4"	39	36	87	40	-
10	3/8"	39	36	87	40	-
15	1/2"	49	39	87	40	10,05
20	3/4"	55	42	87	40	24,56
25	1"	65	52	120	40	51,21
32	1.1/4"	77	64	120	30	68,65
40	1.1/2"	90	80	150	30	98,83
50	2"	104	87	150	30	177,04

PRESSURE DROP see chart at the end of catalogue

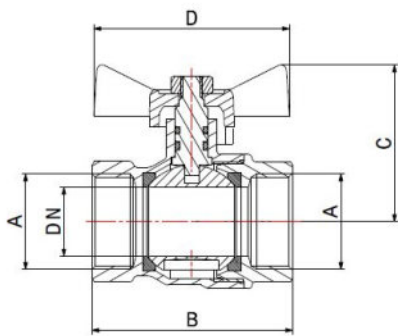
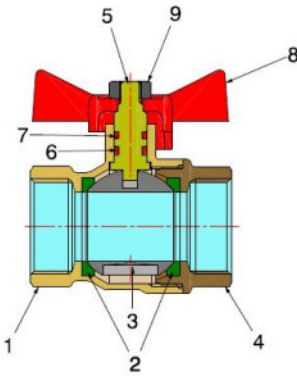
PACKAGING

	1/4"	3/8"	1/2"	3/4"	1"	1.1/4"	1.1/2"	2"
CODE	76000102R	76000103R	76000104R	76000106R	76000108R	76000110R	76000111R	76000113R
PCS BOX	25	25	20	15	8	-	-	-
PCS CARTON	300	300	200	150	80	30	18	12

WATER BALL VALVES

TAMIGI

760200



- F/F water ball valve with T handle
- Thread ISO 228
- Temperature range min -10°C - max +120°C

Valve suitable for distributing and interrupting fluids that are generally non-corrosive, compatibly with the valve materials. Plumbing, heating, industrial and agricultural sectors are the ideal fields of application. It's a full bore valve and the ball seal is guaranteed by two PTFE seats.

The operating mechanism seal features two O-Rings with an internally installed stem and anti-ejection system.

It is advisable to carry out a complete maneuver cycle at least once every three months in order to prevent limescale deposits that could compromise the valve functioning.

COMPONENTS

POS.	PART NAME	N°	MATERIAL
1	Body	1	CW617N UNI-EN 12165 nickel-plated
2	Seal	2	PTFE
3	Ball	1	CW617N UNI-EN 12165 chrome-plated
4	End connection	1	CW617N UNI-EN 12165 nickel-plated
5	Stem	1	CW617N UNI-EN 12164
6	O-Ring	1	EPDM Perox
7	O-Ring	1	FKM
8	"T" handle	1	Laacquered aluminuim
9	Nut	1	Galvanised iron

DIMENSIONS

DN	A	B	C	D	PN	KV*
8	1/4"	39	34	50	40	-
10	3/8"	39	34	50	40	-
15	1/2"	49	38	50	40	10,05
20	3/4"	55	42	50	40	24,56
25	1"	65	52	67	40	51,21

PRESSURE DROP see chart at the end of catalogue

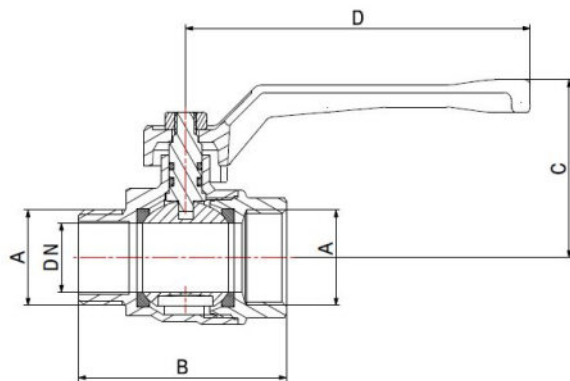
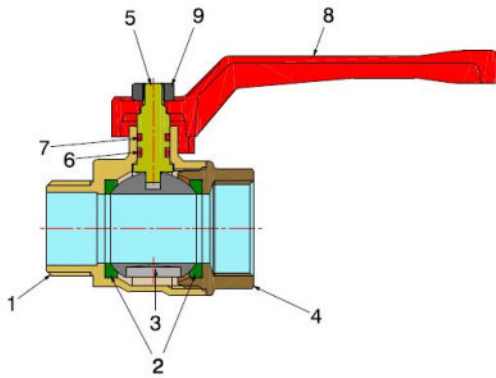
PACKAGING

	1/4"	3/8"	1/2"	3/4"	1"
CODE	76020002R	76020003R	76020004R	76020006R	76020008R
PCS BOX	25	25	20	15	8
PCS CARTON	300	300	240	150	80

WATER BALL VALVES

TAMIGI

760502



- M/F water ball valve with aluminium lever
- Thread ISO 228
- Temperature range min -10°C - max +120°C

Valve suitable for distributing and interrupting fluids that are generally non-corrosive, compatibly with the valve materials. Plumbing, heating, industrial and agricultural sectors are the ideal fields of application. It's a full bore valve and the ball seal is guaranteed by two PTFE seats.

The operating mechanism seal features two O-Rings with an internally installed stem and anti-ejection system.

It is advisable to carry out a complete maneuver cycle at least once every three months in order to prevent limescale deposits that could compromise the valve functioning.

COMPONENTS

POS.	PART NAME	N°	MATERIAL
1	Body	1	CW617N UNI-EN 12165 nickel-plated
2	Seals	2	PTFE
3	Ball	1	CW617N UNI-EN 12165 chrome-plated
4	End connection	1	CW617N UNI-EN 12165 nickel-plated
5	Stem	1	CW617N UNI-EN 12164
6	O-Ring	1	EPDM Perox
7	O-Ring	1	FKM
8	Lever	1	Lacquered aluminium
9	Nut	1	Galvanised iron

DIMENSIONS

DN	A	B	C	D	PN	KV*
8	1/4"	42	46	90	40	-
10	3/8"	39	46	95	40	-
15	1/2"	51	51	95	40	10,05
20	3/4"	58	54	95	40	24,56
25	1"	67	63	123	40	51,21
32	1.1/4"	79	77	123	30	68,65
40	1.1/2"	92	88	150	30	98,83
50	2"	107	97	150	30	177,04

PRESSURE DROP see chart at the end of catalogue

PACKAGING

	1/4"	3/8"	1/2"	3/4"	1"	1.1/4"	1.1/2"	2"
CODE	76050202R	76050203R	76050204R	76050206R	76050208R	76050210R	76050211R	76050213R
PCS BOX	30	25	20	15	8	-	-	-
PCS CARTON	240	300	200	150	80	30	18	8

WATER BALL VALVES

TAMIGI

760501

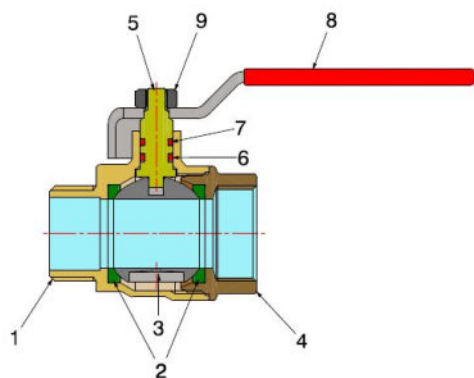


- M/F water ball valve with iron lever
- Thread ISO 228
- Temperature range min -10°C - max +120°C

Valve suitable for distributing and interrupting fluids that are generally non-corrosive, compatibly with the valve materials. Plumbing, heating, industrial and agricultural sectors are the ideal fields of application. It's a full bore valve and the ball seal is guaranteed by two PTFE seats.

The operating mechanism seal features two O-Rings with an internally installed stem and anti-ejection system.

It is advisable to carry out a complete maneuver cycle at least once every three months in order to prevent limescale deposits that could compromise the valve functioning.



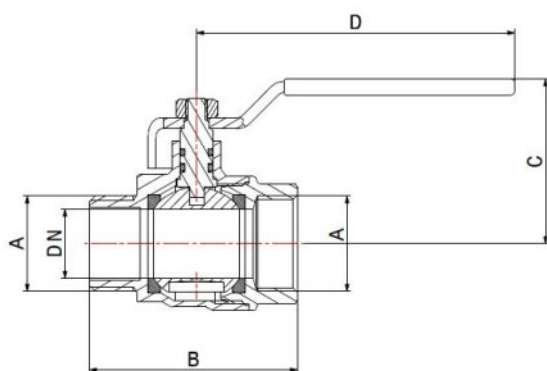
COMPONENTS

POS.	PART NAME	N°	MATERIAL
1	Body	1	CW617N UNI-EN 12165 nickel-plated
2	Seal	2	PTFE
3	Ball	1	CW617N UNI-EN 12165 chrome-plated
4	End connection	1	CW617N UNI-EN 12165 nickel-plated
5	Stem	1	CW617N UNI-EN 12164
6	O-Ring	1	EPDM Perox
7	O-Ring	1	FKM
8	Lever	1	Galvanised iron and PVC coated
9	Nut	1	Galvanised iron

DIMENSIONS

DN	A	B	C	D	PN	KV*
10	3/8"	39	43	87	40	-
15	1/2"	51	45	87	40	10,05
20	3/4"	58	47	87	40	24,56
25	1"	67	59	120	40	51,21
32	1.1/4"	79	72	120	30	68,65
40	1.1/2"	92	88	150	30	98,83
50	2"	107	97	150	30	177,04

PRESSURE DROP see chart at the end of catalogue



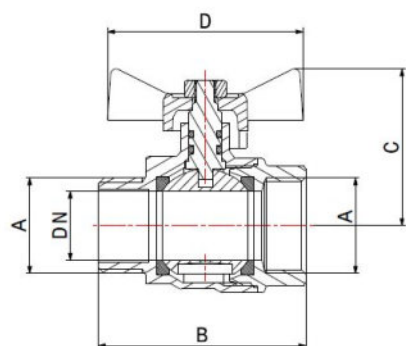
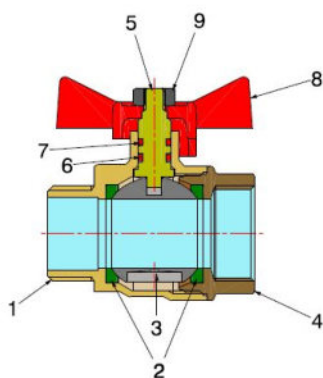
PACKAGING

	3/8"	1/2"	3/4"	1"	1.1/4"	1.1/2"	2"
CODE	76050103R	76050104R	76050106R	76050108R	76050110R	76050111R	76050113R
PCS BOX	25	20	15	8	-	-	-
PCS CARTON	300	200	150	80	25	18	8

WATER BALL VALVES

TAMIGI

760700



- M/F water ball valve with T handle
- Thread ISO 228
- Temperature range min -10°C - max +120°C

Valve suitable for distributing and interrupting fluids that are generally non-corrosive, compatibly with the valve materials. Plumbing, heating, industrial and agricultural sectors are the ideal fields of application. It's a full bore valve and the ball seal is guaranteed by two PTFE seats.

The operating mechanism seal features two O-Rings with an internally installed stem and anti-ejection system.

It is advisable to carry out a complete maneuver cycle at least once every three months in order to prevent limescale deposits that could compromise the valve functioning.

COMPONENTS

POS.	PART NAME	N°	MATERIAL
1	Body	1	CW617N UNI-EN 12165 nickel-plated
2	Seal	2	PTFE
3	Ball	1	CW617N UNI-EN 12165 chrome-plated
4	End connection	1	CW617N UNI-EN 12165 nickel-plated
5	Stem	1	CW617N UNI-EN 12164
6	O-Ring	1	EPDM Perox
7	O-Ring	1	FKM
8	"T" handle	1	Laacquered aluminium
9	Nut	1	Galvanised iron

DIMENSIONS

DN	A	B	C	D	PN	KV*
10	1/4"	42	40	45	40	-
10	3/8"	39	42	54	40	-
15	1/2"	51	47	54	40	10,05
20	3/4"	58	51	54	40	24,56
25	1"	67	57	70	40	51,21

PRESSURE DROP see chart at the end of catalogue

PACKAGING

	1/4"	3/8"	1/2"	3/4"	1"
CODE	76070002R	76070003R	76070004R	76070006R	76070008R
PCS BOX	40	25	20	15	8
PCS CARTON	240	300	240	150	80

WATER BALL VALVES

TAMIGI

760800R

- F/M ball valve with flat seat and gasket with red T handle
- Thread ISO 228
- Temperature range min -10°C - max +120°C



Valve suitable for distributing and interrupting fluids that are generally non-corrosive, compatibly with the valve materials. Plumbing, heating, industrial and agricultural sectors are the ideal fields of application. It's a full bore valve and the ball seal is guaranteed by two PTFE seats.

The operating mechanism seal features two O-Rings with an internally installed stem and anti-ejection system.

It is advisable to carry out a complete maneuver cycle at least once every three months in order to prevent limescale deposits that could compromise the valve functioning.

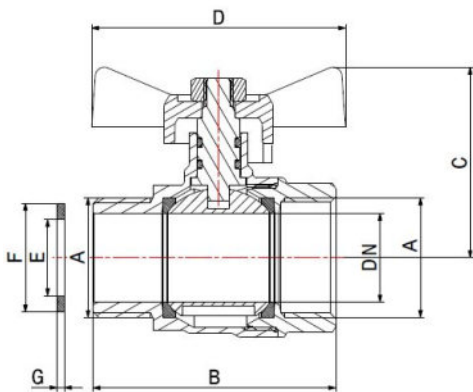
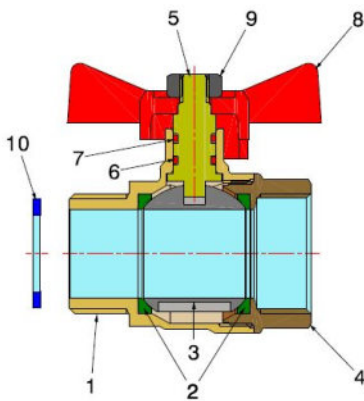
COMPONENTS

POS.	PART NUMBER	N°	MATERIAL
1	Body	1	CW617N UNI-EN 12165 nickel-plated
2	Seal	2	PTFE
3	Ball	1	CW617N UNI-EN 12165 chrome-plated
4	End connection	1	CW617N UNI-EN 12165 nickel-plated
5	Stem	1	CW617N UNI-EN 12164
6	O-Ring	1	EPDM Perox
7	O-Ring	1	FKM
8	"T" handle	1	Lacquered aluminium
9	Nut	1	Galvanised iron
10	Gasket	1	Fasit Omnia

DIMENSIONS

DN	A	B	C	D	PN	E	F	G	KV*
25	1"	67	57	70	40	21	30	2	51,21

PRESSURE DROP see chart at the end of catalogue



PACKAGING

	1"
CODE	76080008R
PCS BOX	8
PCS CARTON	80

WATER BALL VALVES

TAMIGI

760800B



- F/M ball valve with flat seat and gasket with blue T handle
- Thread ISO 228
- Temperature range min -10°C - max +120°C

Valve suitable for distributing and interrupting fluids that are generally non-corrosive, compatibly with the valve materials. Plumbing, heating, industrial and agricultural sectors are the ideal fields of application. It's a full bore valve and the ball seal is guaranteed by two PTFE seats.

The operating mechanism seal features two O-Rings with an internally installed stem and anti-ejection system.

It is advisable to carry out a complete maneuver cycle at least once every three months in order to prevent limescale deposits that could compromise the valve functioning.

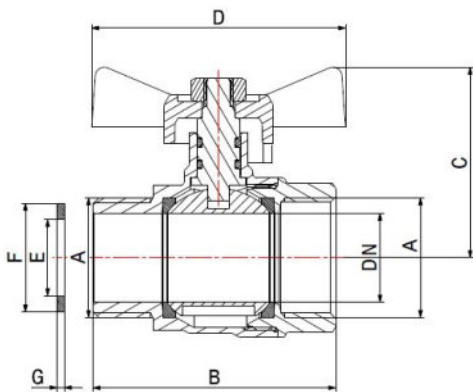
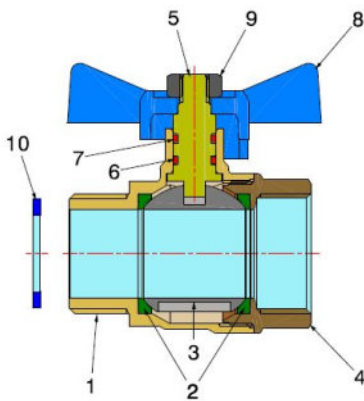
COMPONENTS

POS.	PART NAME	N°	MATERIAL
1	Body	1	CW617N UNI-EN 12165 nickel-plated
2	Seal	2	PTFE
3	Ball	1	CW617N UNI-EN 12165 chrome-plated
4	End connection	1	CW617N UNI-EN 12165 nickel-plated
5	Stem	1	CW617N UNI-EN 12164
6	O-Ring	1	EPDM Perox
7	O-Ring	1	FKM
8	"T" handle	1	Lacquered aluminium
9	Nut	1	Galvanised iron
10	Gasket	1	Fasit Omnia

DIMENSIONS

DN	A	B	C	D	PN	E	F	G
25	1"	67	57	70	40	21	30	2

PRESSURE DROP see chart at the end of catalogue



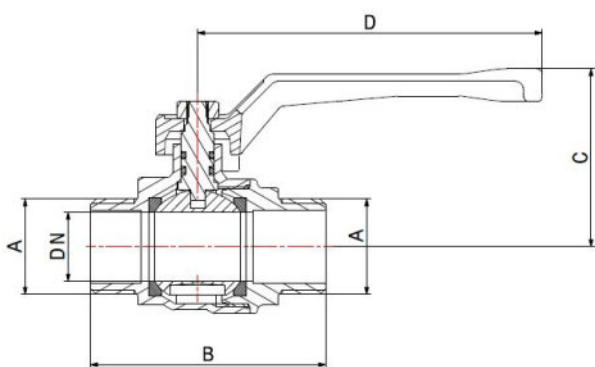
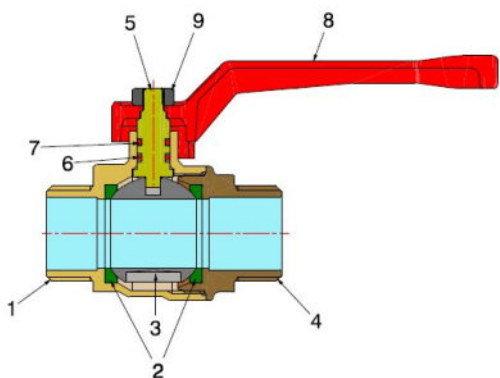
PACKAGING

	1"
CODE	76080008B
PCS BOX	8
PCS CARTON	80

WATER BALL VALVES

TAMIGI

764502



- M/M ball valve with aluminium lever
- Thread ISO 228
- Temperature range min -10°C - max +120°C

Valve suitable for distributing and interrupting fluids that are generally non-corrosive, compatibly with the valve materials. Plumbing, heating, industrial and agricultural sectors are the ideal fields of application. It's a full bore valve and the ball seal is guaranteed by two PTFE seats.

The operating mechanism seal features two O-Rings with an internally installed stem and anti-ejection system.

It is advisable to carry out a complete maneuver cycle at least once every three months in order to prevent limescale deposits that could compromise the valve functioning.

COMPONENTS

POS.	PART NAME	N°	MATERIAL
1	Body	1	CW617N UNI-EN 12165 nickel-plated
2	Seal	2	PTFE
3	Ball	1	CW617N UNI-EN 12165 chrome-plated
4	End connection	1	CW617N UNI-EN 12165 nickel-plated
5	Stem	1	CW617N UNI-EN 12164
6	O-Ring	1	EPDM Perox
7	O-Ring	1	FKM
8	Lever	1	Laacquered aluminium
9	Nut	1	Galvanised iron

DIMENSIONS

DN	A	B	C	D	PN	KV*
10	3/8"	49	46	95	40	-
15	1/2"	59	51	95	40	10,05
20	3/4"	65	54	95	40	24,56
25	1"	77	63	123	40	51,21
32	1.1/4"	87	77	123	30	68,65
40	1.1/2"	103	88	150	30	98,83
50	2"	113	97	150	30	177,04

PRESSURE DROP see chart at the end of catalogue

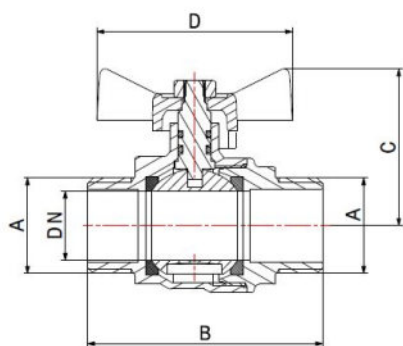
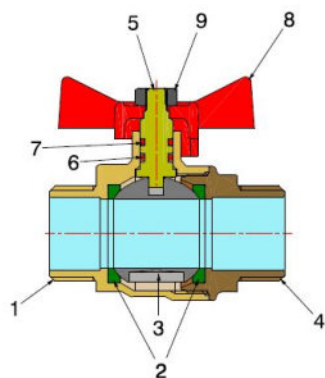
PACKAGING

	3/8"	1/2"	3/4"	1"	1.1/4"	1.1/2"	2"
CODE	76450203R	76450204R	76450206R	76450208R	76450210R	76450211R	76450213R
PCS BOX	30	20	15	8	-	-	-
PCS CARTON	180	200	150	80	30	18	8

WATER BALL VALVES

TAMIGI

764700



- M/M ball valve with T handle
- Thread ISO 228
- Temperature range min -10°C - max +120°C

Valve suitable for distributing and interrupting fluids that are generally non-corrosive, compatibly with the valve materials. Plumbing, heating, industrial and agricultural sectors are the ideal fields of application. It's a full bore valve and the ball seal is guaranteed by two PTFE seats.

The operating mechanism seal features two O-Rings with an internally installed stem and anti-ejection system.

It is advisable to carry out a complete maneuver cycle at least once every three months in order to prevent limescale deposits that could compromise the valve functioning.

COMPONENTS

POS.	PART NAME	N°	MATERIAL
1	Body	1	CW617N UNI-EN 12165 nickel-plated
2	Seal	2	PTFE
3	Ball	1	CW617N UNI-EN 12165 chrome-plated
4	End connection	1	CW617N UNI-EN 12165 nickel-plated
5	Stem	1	CW617N UNI-EN 12164
6	O-Ring	1	EPDM Perox
7	O-Ring	1	FKM
8	"T" handle	1	Laacquered aluminium
9	Nut	1	Galvanised iron

DIMENSIONS

DN	A	B	C	D	PN	KV*
10	3/8"	49	42	54	40	-
15	1/2"	59	47	54	40	10,05
20	3/4"	65	51	54	40	24,56
25	1"	76	57	70	40	51,21

PRESSURE DROP see chart at the end of catalogue

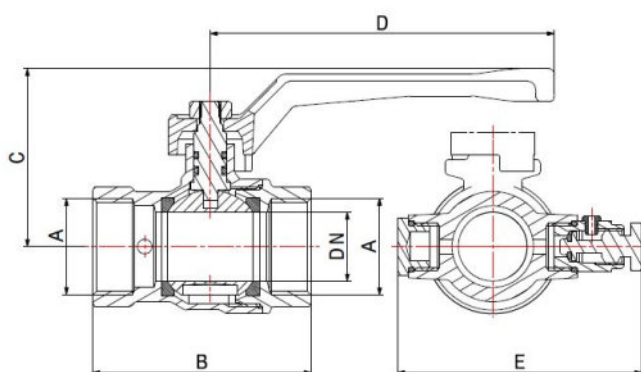
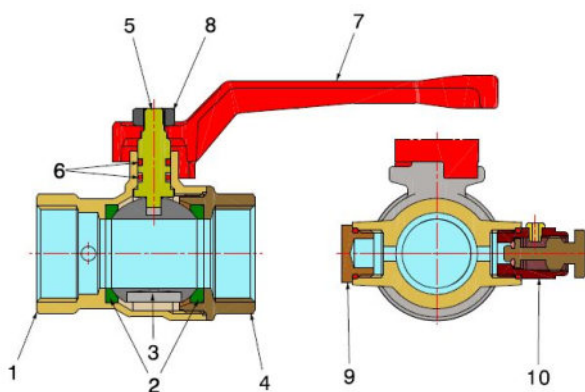
PACKAGING

	3/8"	1/2"	3/4"	1"
CODE	76470003R	76470004R	76470006R	76470008R
PCS BOX	30	20	15	10
PCS CARTON	240	200	150	100

WATER BALL VALVES

TAMIGI

761502



- F/F ball valve with drain cock and aluminium lever
- Thread ISO 228
- Temperature range min -10°C - max +95°C

Valve suitable for distributing and interrupting fluids that are generally non-corrosive, compatibly with the valve materials. Plumbing, heating, industrial and agricultural sectors are the ideal fields of application. It's a full bore valve and the ball seal is guaranteed by two PTFE seats.

The operating mechanism seal features two O-Rings with an internally installed stem and anti-ejection system.

It is advisable to carry out a complete maneuver cycle at least once every three months in order to prevent limescale deposits that could compromise the valve functioning.

COMPONENTS

POS.	PART NAME	N°	MATERIAL
1	Body	1	CW617N UNI-EN 12165 nickel-plated
2	Seal	2	PTFE
3	Ball	1	CW617N UNI-EN 12165 chrome-plated
4	End connection	1	CW617N UNI-EN 12165 nickel-plated
5	Stem	1	CW617N UNI-EN 12164
6	O-Ring	2	NBR
7	Lever	1	Lacquered aluminium
8	Nut	1	Galvanised iron
9	Cap with O-Ring	1	See code 33001102XA
10	Drain valve	1	See code 39911102

DIMENSIONS

DN	A	B	C	D	E	PN	KV*
15	1/2"	54	51	95	63	15	10,05
20	3/4"	61	54	95	70	15	24,56
25	1"	70	63	123	76	15	51,21
32	1.1/4"	82	76	123	85	15	68,65
40	1.1/2"	93	88	150	94	15	98,83
50	2"	108	97	150	103	15	177,04

PRESSURE DROP see chart at the end of catalogue

PACKAGING

	1/2"	3/4"	1"	1.1/4"	1.1/2"	2"
CODE	76150204R	76150206R	76150208R	76150210R	76150211R	76150213R
PCS BOX	10	10	8	-	-	-
PCS CARTON	120	120	80	25	18	10

WATER BALL VALVES

TAMIGI

761700

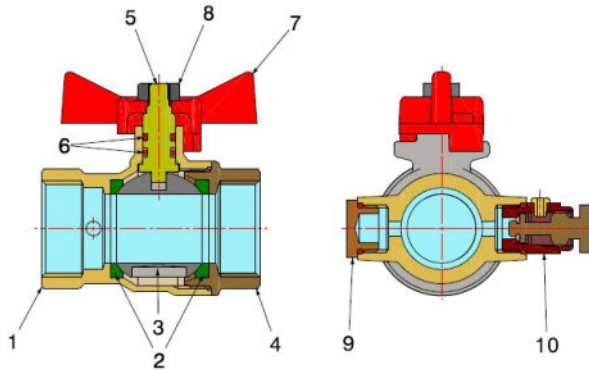


- F/F ball valve with drain cock and T handle
- Thread ISO 228
- Temperature range min -10°C - max +95°C

Valve suitable for distributing and interrupting fluids that are generally non-corrosive, compatibly with the valve materials. Plumbing, heating, industrial and agricultural sectors are the ideal fields of application. It's a full bore valve and the ball seal is guaranteed by two PTFE seats.

The operating mechanism seal features two O-Rings with an internally installed stem and anti-ejection system.

It is advisable to carry out a complete maneuver cycle at least once every three months in order to prevent limescale deposits that could compromise the valve functioning.



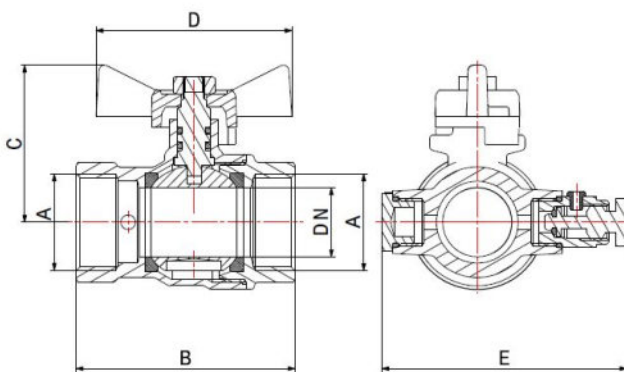
COMPONENTS

POS.	PART NAME	N°	MATERIAL
1	Body	1	CW617N UNI-EN 12165 nickel-plated
2	Seal	2	PTFE
3	Ball	1	CW617N UNI-EN 12165 chrome-plated
4	End connection	1	CW617N UNI-EN 12165 nickel-plated
5	Stem	1	CW617N UNI-EN 12164
6	O-Ring	2	NBR
7	"T" handle	1	Lacquered aluminium
8	Nut	1	Galvanised iron
9	Cap with O-Ring	1	See code 330011022XA
10	Drain valve	1	See code 39911102

DIMENSIONS

DN	A	B	C	D	E	PN	KV*
15	1/2"	54	47	54	63	15	10,05
20	3/4"	61	51	54	70	15	24,56
25	1"	70	57	70	76	15	51,21

PRESSURE DROP see chart at the end of catalogue



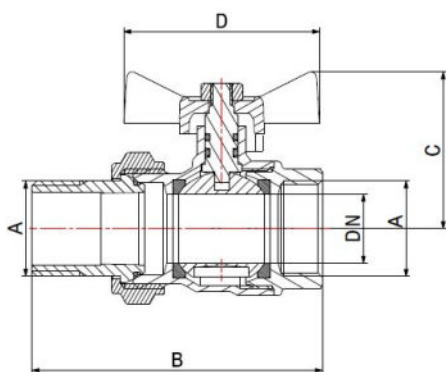
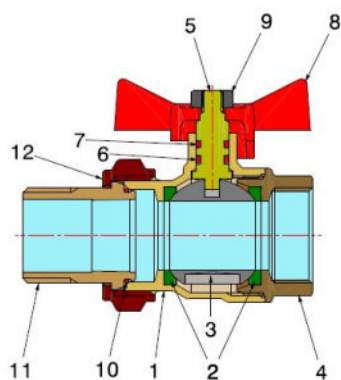
PACKAGING

	1/2"	3/4"	1"
CODE	76170004R	76170006R	76170008R
PCS BOX	10	10	8
PCS CARTON	120	120	72

WATER BALL VALVES

TAMIGI

765000R



- Water ball valve with connector and red T handle
- Thread ISO 228
- Temperature range min -10°C - max +120°C

Valve suitable for distributing and interrupting fluids that are generally non-corrosive, compatibly with the valve materials. Plumbing, heating, industrial and agricultural sectors are the ideal fields of application. It's a full bore valve and the ball seal is guaranteed by two PTFE seats.

The operating mechanism seal features two O-Rings with an internally installed stem and anti-ejection system.

It is advisable to carry out a complete maneuver cycle at least once every three months in order to prevent limescale deposits that could compromise the valve functioning.

COMPONENTS

POS.	PART NAME	N°	MATERIAL
1	Body	1	CW617N UNI-EN 12165 nickel-plated
2	Seal	2	PTFE
3	Ball	1	CW617N UNI-EN 12165 chrome-plated
4	End connection	1	CW617N UNI-EN 12165 nickel-plated
5	Stem	1	CW617N UNI-EN 12164
6	O-Ring	1	EPDM Perox
7	O-Ring	1	FKM
8	"T" handle	1	Lacquered aluminium
9	Nut	1	Galvanised iron
10	O-Ring	1	EPDM Perox
11	Connector	1	CW617N UNI-EN 12165 nickel-plated
12	Nut	1	CW617N UNI-EN 12165 nickel-plated

DIMENSIONS

DN	A	B	C	D	PN
15	1/2"	69	47	54	40
20	3/4"	81	51	54	40
25	1"	88	57	70	40
32	1.1/4"	110	59	70	30

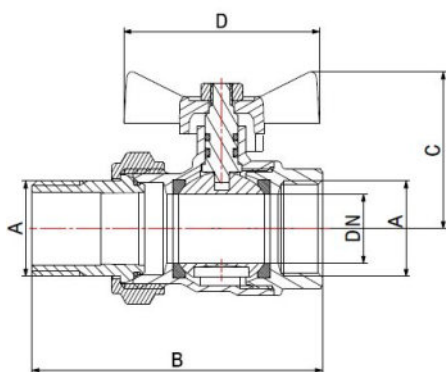
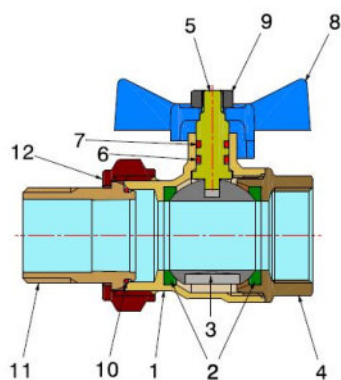
PACKAGING

	1/2"	3/4"	1"	1.1/4"
CODE	76500004R	76500006R	76500008R	76500010R
PCS BOX	15	10	6	6
PCS CARTON	150	100	72	30

WATER BALL VALVES

TAMIGI

765000B



- Water ball valve with connector and blue T handle
- Thread ISO 228
- Temperature range min -10°C - max +120°C

Valve suitable for distributing and interrupting fluids that are generally non-corrosive, compatibly with the valve materials. Plumbing, heating, industrial and agricultural sectors are the ideal fields of application. It's a full bore valve and the ball seal is guaranteed by two PTFE seats.

The operating mechanism seal features two O-Rings with an internally installed stem and anti-ejection system.

It is advisable to carry out a complete maneuver cycle at least once every three months in order to prevent limescale deposits that could compromise the valve functioning.

COMPONENTS

POS.	PART NAME	N°	MATERIAL
1	Body	1	CW617N UNI-EN 12165 nickel-plated
2	Seal	2	PTFE
3	Ball	1	CW617N UNI-EN 12165 chrome-plated
4	End connection	1	CW617N UNI-EN 12165 nickel-plated
5	Stem	1	CW617N UNI-EN 12164
6	O-Ring	1	EPDM Perox
7	O-Ring	1	FKM
8	"T" handle	1	Lacquered aluminium
9	Nut	1	Galvanised iron
10	O-Ring	1	EPDM Perox
11	Connecton	1	CW617N UNI-EN 12165 nickel-plated
12	Nut	1	CW617N UNI-EN 12165 nickel-plated

DIMENSIONS

DN	A	B	C	D	PN
15	1/2"	69	47	54	40
20	3/4"	81	51	54	40
25	1"	88	57	70	40
32	1.1/4"	110	59	70	30

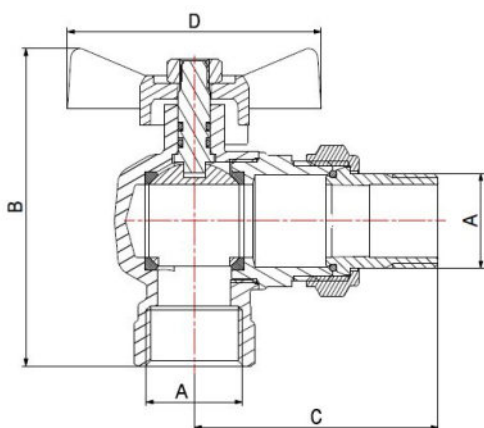
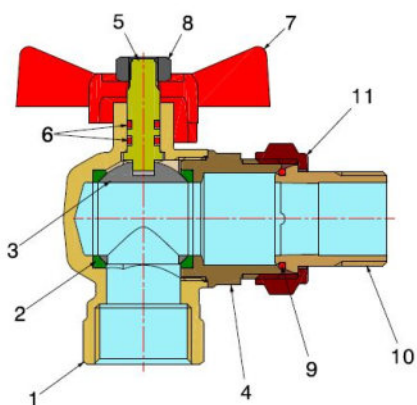
PACKAGING

	1/2"	3/4"	1"	1.1/4"
CODE	76500004B	76500006B	76500008B	76500010B
PCS BOX	15	10	6	6
PCS CARTON	150	100	72	30

WATER BALL VALVES

TAMIGI

766000R



- M/F angle ball valve with connector and red T handle
- Thread ISO 228
- Temperature range min -10°C - max +120°C
- Seat for thermometer 76610000 insertion

Valve suitable for distributing and interrupting fluids that are generally non-corrosive, compatibly with the valve materials. Plumbing, heating, industrial and agricultural sectors are the ideal fields of application. It's a full bore valve and the ball seal is guaranteed by two PTFE seats.

The operating mechanism seal features two O-Rings with an internally installed stem and anti-ejection system.

It is advisable to carry out a complete maneuver cycle at least once every three months in order to prevent limescale deposits that could compromise the valve functioning.

COMPONENTS

POS.	PART NAME	N°	MATERIAL
1	Body	1	CW617N UNI-EN 12165 nickel-plated
2	Seal	2	PTFE
3	Ball	1	CW617N UNI-EN 12165 chrome-plated
4	End connection	1	CW617N UNI-EN 12165 nickel-plated
5	Stem	1	CW617N UNI-EN 12164
6	O-Ring	2	EPDM Perox
7	"T" handle	1	Lacquered aluminium
8	Nut	1	Galvanised iron
9	O-Ring	1	EPDM Perox
10	Connector	1	CW617N UNI-EN 12165 nickel-plated
11	Nut	1	CW617N UNI-EN 12165 nickel-plated

DIMENSIONS

DN	A	B	C	D	PN
20	3/4"	91	64	67	40
25	1"	103	71	67	40

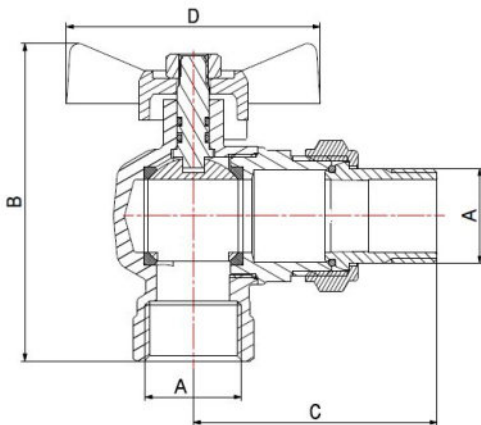
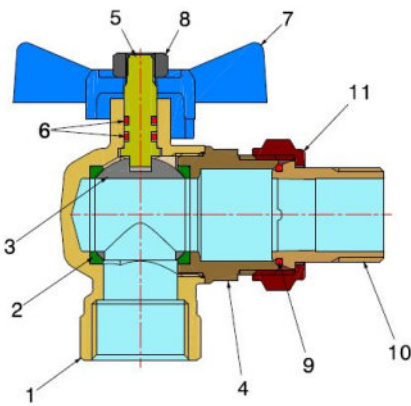
PACKAGING

	3/4"	1"
CODE	76600006R	76600008R
PCS BOX	6	4
PCS CARTON	60	40

WATER BALL VALVES

TAMIGI

766000B



- M/F angle ball valve with connector and blue T handle
- Thread ISO 228
- Temperature range min -10°C - max +120°C
- Seat for thermometer 76610000 insertion

Valve suitable for distributing and interrupting fluids that are generally non-corrosive, compatibly with the valve materials. Plumbing, heating, industrial and agricultural sectors are the ideal fields of application. It's a full bore valve and the ball seal is guaranteed by two PTFE seats.

The operating mechanism seal features two O-Rings with an internally installed stem and anti-ejection system.

It is advisable to carry out a complete maneuver cycle at least once every three months in order to prevent limescale deposits that could compromise the valve functioning.

COMPONENTS

POS.	PART NAME	N°	MATERIAL
1	Body	1	CW617N UNI-EN 12165 nickel-plated
2	Seal	2	PTFE
3	Ball	1	CW617N UNI-EN 12165 chrome-plated
4	End connection	1	CW617N UNI-EN 12165 nickel-plated
5	Stem	1	CW617N UNI-EN 12164
6	O-Ring	2	EPDM Perox
7	"T" handle	1	Lacquered aluminium
8	Nut	1	Galvanised iron
9	O-Ring	1	EPDM Perox
10	Connector	1	CW617N UNI-EN 12165 nickel-plated
11	Nut	1	CW617N UNI-EN 12165 nickel-plated

DIMENSIONS

DN	A	B	C	D	PN
20	3/4"	91	64	67	40
25	1"	103	71	67	40

PACKAGING

	3/4"	1"
CODE	76600006B	76600008B
PCS BOX	6	4
PCS CARTON	60	40

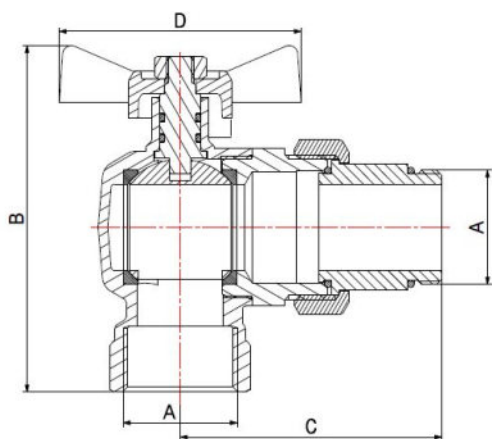
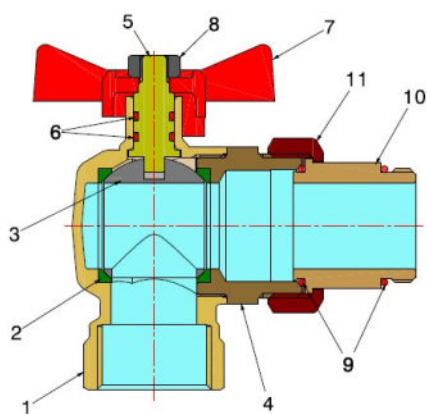
WATER BALL VALVES

TAMIGI

766200R



- M/F angle ball valve with short connector and red T handle
- Thread ISO 228
- Temperature range min -10°C max + 95°C
- Seat for thermometer 76610000 insertion



Valve suitable for distributing and interrupting fluids that are generally non-corrosive, compatibly with the valve materials. Heating, plumbing, industrial and agricultural systems are the ideal fields of application. It's a full bore valve and the ball seal is guaranteed by two PTFE seats.

The operating mechanism seal features two O-Rings with an internally installed stem and anti-ejection system.

It is advisable to carry out a complete maneuver cycle at least once every three months in order to prevent limescale deposits that could compromise the valve functioning.

COMPONENTS

POS.	PART NAME	N°	MATERIAL
1	Body	1	CW617N UNI-EN 12165 nickel-plated
2	Seal	2	PTFE
3	Ball	1	CW617N UNI-EN 12165 chrome-plated
4	End connection	1	CW617N UNI-EN 12165 nickel-plated
5	Stem	1	CW617N UNI-EN 12164
6	O-Ring	2	EPDM Perox
7	"T" handle	1	Lacquered aluminium
8	Nut	1	Galvanised iron
9	O-Ring	2	EPDM Perox
10	Short connector	1	CW617N UNI-EN 12164 nickel-plated
11	Nut	1	CW617N UNI-EN 12165 nickel-plated

DIMENSIONS

DN	A	B	C	D	PN
25	1"	103	75	70	40

PACKAGING

	1"
CODE	76620008R
PCS BOX	4
PCS CARTON	40

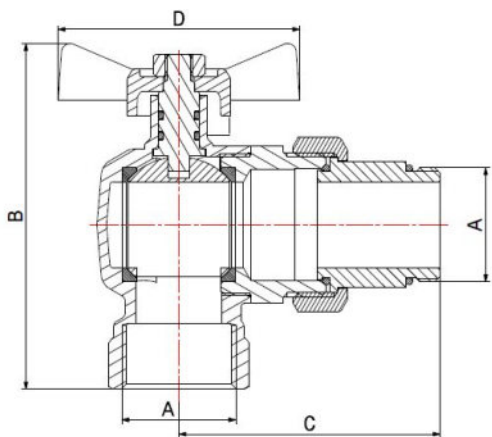
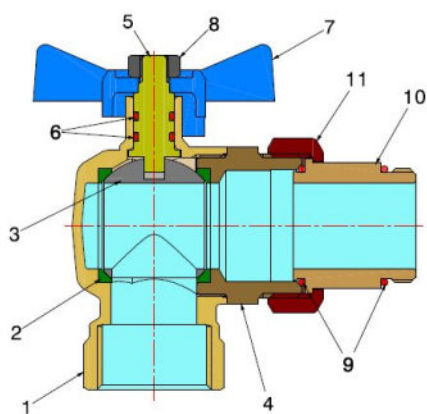
WATER BALL VALVES

TAMIGI

766200B



- M/F angle ball valve with short connector and blue T handle
- Thread ISO 228
- Temperature range min -10°C - max +95°C
- Seat for thermometer 76610000 insertion



Valve suitable for distributing and interrupting fluids that are generally non-corrosive, compatibly with the valve materials. Heating, plumbing, industrial and agricultural systems are the ideal fields of application. It's a full bore valve and the ball seal is guaranteed by two PTFE seats.

The operating mechanism seal features two O-Rings with an internally installed stem and anti-ejection system.

It is advisable to carry out a complete maneuver cycle at least once every three months in order to prevent limescale deposits that could compromise the valve functioning.

COMPONENTS

POS.	PART NAME	N°	MATERIAL
1	Body	1	CW617N UNI-EN 12165 nickel-plated
2	Seal	2	PTFE
3	Ball	1	CW617N UNI-EN 12165 chrome-plated
4	End connection	1	CW617N UNI-EN 12165 nickel-plated
5	Stem	1	CW617N UNI-EN 12164
6	O-Ring	2	EPDM Perox
7	"T" handle	1	Lacquered aluminium
8	Nut	1	Galvanised iron
9	O-Ring	2	EPDM Perox
10	Short connector	1	CW617N UNI-EN 12164 nickel-plated
11	Nut	1	CW617N UNI-EN 12165 nickel-plated

DIMENSIONS

DN	A	B	C	D	PN
25	1"	103	75	70	40

PACKAGING

	1"
CODE	76620008B
PCS BOX	4
PCS CARTON	40

WATER BALL VALVES

TAMIGI

766300R



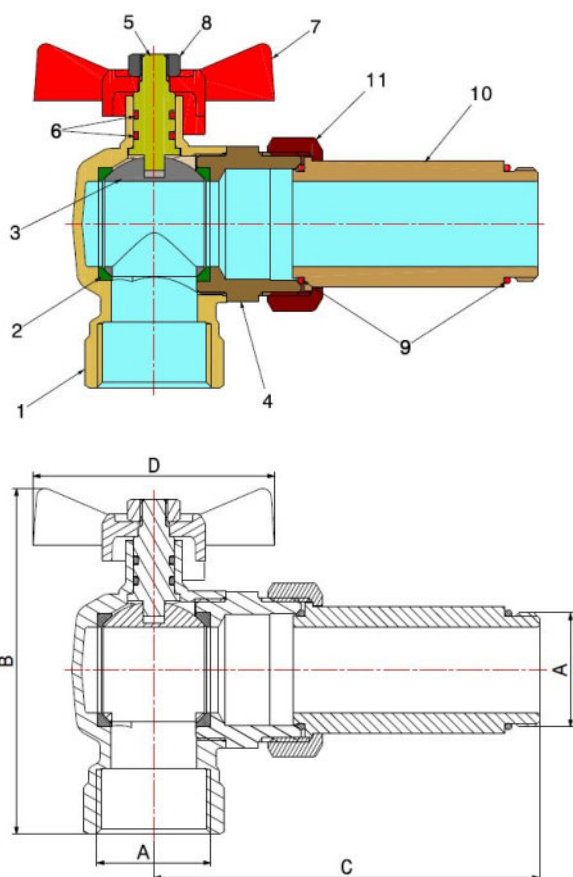
- M/F angle ball valve with long connector and red T handle
- Thread ISO 228
- Temperature range min -10°C - max +95°C
- Seat for thermometer 76610000 insertion



Valve suitable for distributing and interrupting fluids that are generally non-corrosive, compatibly with the valve materials. Heating, plumbing, industrial and agricultural systems are the ideal fields of application. It's a full bore valve and the ball seal is guaranteed by two PTFE seats.

The operating mechanism seal features two O-Rings with an internally installed stem and anti-ejection system.

It is advisable to carry out a complete maneuver cycle at least once every three months in order to prevent limescale deposits that could compromise the valve functioning.



COMPONENTS

POS.	PART NAME	N°	MATERIAL
1	Body	1	CW617N UNI-EN 12165 nickel-plated
2	Seal	2	PTFE
3	Ball	1	CW617N UNI-EN 12165 chrome-plated
4	End connection	1	CW617N UNI-EN 12165 nickel-plated
5	Stem	1	CW617N UNI-EN 12164
6	O-Ring	2	EPDM Perox
7	"T" handle	1	Lacquered aluminium
8	Nut	1	Galvanised iron
9	O-Ring	2	EPDM Perox
10	Long connector	1	CW617N UNI-EN 12164 nickel-plated
11	Nut	1	CW617N UNI-EN 12165 nickel-plated

DIMENSIONS

DN	A	B	C	D	PN
25	1"	103	111	70	40

PACKAGING

	1"
CODE	76630008R
PCS BOX	4
PCS CARTON	40

WATER BALL VALVES

TAMIGI

766300B



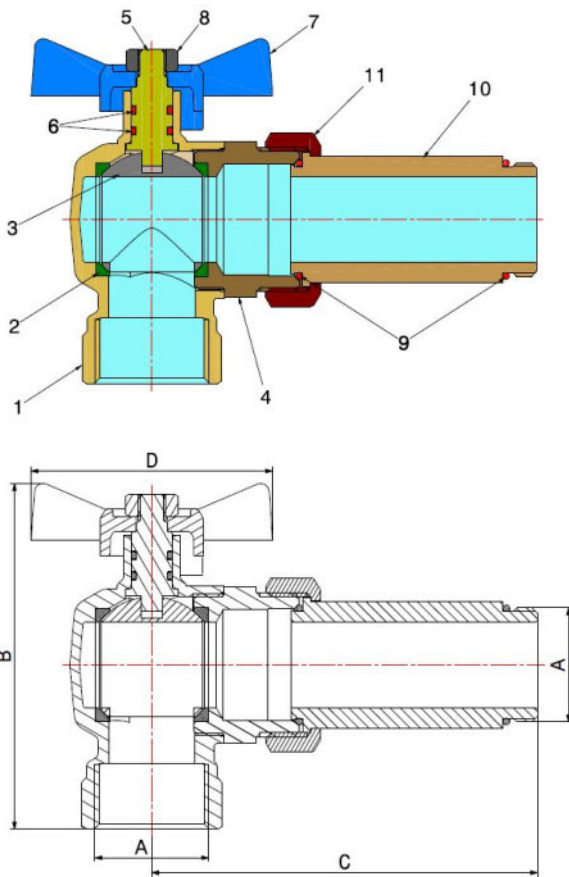
- M/F angle ball valve with long connector and blue T handle
- Thread ISO 228
- Temperature range min -10°C -max +95°C
- Seat for thermometer 76610000 insertion



Valve suitable for distributing and interrupting fluids that are generally non-corrosive, compatibly with the valve materials. Heating, plumbing, industrial and agricultural systems are the ideal fields of application. It's a full bore valve and the ball seal is guaranteed by two PTFE seats.

The operating mechanism seal features two O-Rings with an internally installed stem and anti-ejection system.

It is advisable to carry out a complete maneuver cycle at least once every three months in order to prevent limescale deposits that could compromise the valve functioning.



COMPONENTS

POS.	PART NAME	N°	MATERIAL
1	Body	1	CW617N UNI-EN 12165 nickel-plated
2	Seal	2	PTFE
3	Ball	1	CW617N UNI-EN 12165 chrome-plated
4	End connection	1	CW617N UNI-EN 12165 nickel-plated
5	Stem	1	CW617N UNI-EN 12164
6	O-Ring	2	EPDM Perox
7	"T" handle	1	Lacquered aluminium
8	Nut	1	Galvanised iron
9	O-Ring	2	EPDM Perox
10	Long connector	1	CW617N UNI-EN 12164 nickel-plated
11	Nut	1	CW617N UNI-EN 12165 nickel-plated

DIMENSIONS

DN	A	B	C	D	PN
25	1"	103	111	70	40

PACKAGING

	1"
CODE	76630008B
PCS BOX	4
PCS CARTON	40

WATER BALL VALVES

MISSISSIPI

7620

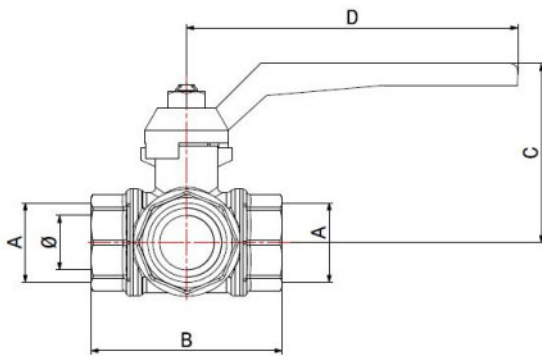


- T/L 3-way ball valve
- Thread ISO 228
- Version T code 762040
- Version L code 762041
- Temperature range min -10°C - max +95°C

Valve suitable for distributing and interrupting fluids that are generally non-corrosive, compatibly with the valve materials. Plumbing, heating, industrial and agricultural sectors are the ideal fields - especially the hydraulic plants, compressed air, oil and petrol distributors network, glycol, heating, conditioning.

The ball valve diverts the flow from one line to the other one without the usage of other two way valves.

The ball seal is guaranteed by four PTFE seats and adjustable gland.



DIMENSIONS

DN	A	B	C	D	Ø	PN
8	1/4"	77	52	115	10	40
10	3/8"	77	52	115	10	40
15	1/2"	82	52	115	10	40
20	3/4"	91	56	115	15	40
25	1"	106	64	150	20	40
32	1.1/4"	121	68	150	25	40
40	1.1/2"	141	94	240	32	40
50	2"	165	104	240	40	40

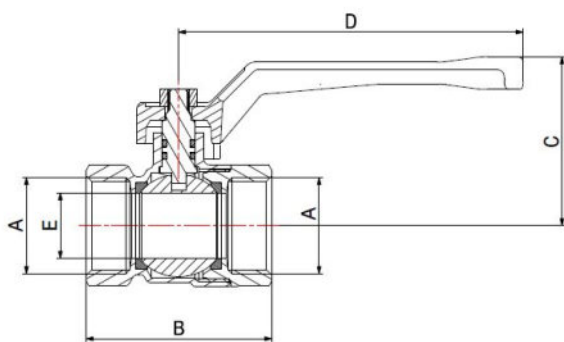
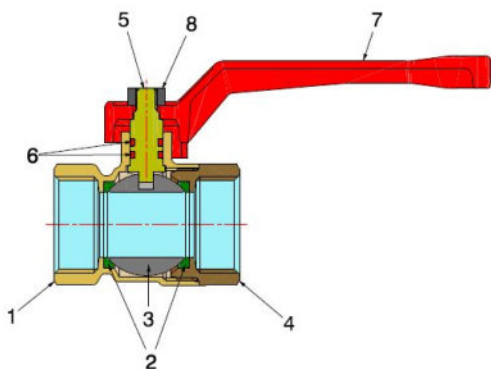
PACKAGING

	1/4"	3/8"	1/2"	3/4"	1"	1.1/4"	1.1/2"	2"
TYPE T	76204002	76204003	76204004	76204006	76204008	76204010	76204011	76204013
TYPE L	76204102	76204103	76204104	76204106	76204108	76204110	76204111	76204113
PCS BOX	6	6	6	5	4	3	2	2
PCS CARTON	36	36	36	30	16	12	6	6

WATER BALL VALVES

DANUBIO

775002



- F/F water ball valve with aluminium lever
- Thread ISO 228
- Temperature range min -10°C - max +95°C

Valve suitable for distributing and interrupting fluids that are generally non-corrosive, compatibly with the valve materials. Plumbing, heating, industrial and agricultural sectors are the ideal fields of application. It's a standard bore valve and the ball seal is guaranteed by two PTFE seats.

The operating mechanism seal features two O-Rings with an internally installed stem and anti-ejection system.

It is advisable to carry out a complete maneuver cycle at least once every three months in order to prevent limescale deposits that could compromise the valve functioning.



COMPONENTS

POS.	PART NAME	N°	MATERIAL
1	Body	1	CW617N UNI-EN 12165 nickel-plated
2	Seal	2	PTFE
3	Ball	1	CW617N UNI-EN 12165 chrome-plated
4	End connection	1	CW617N UNI-EN 12165 nickel-plated
5	Stem	1	CW617N UNI-EN 12164
6	O-Ring	2	NBR
7	Lever	1	Lacquered aluminium
8	Nut	1	Galvanised iron

DIMENSIONS

DN	A	B	C	D	E	PN
15	1/2"	45	44	92	14	40
20	3/4"	51	47	92	18	40
25	1"	62	52	92	22,5	40

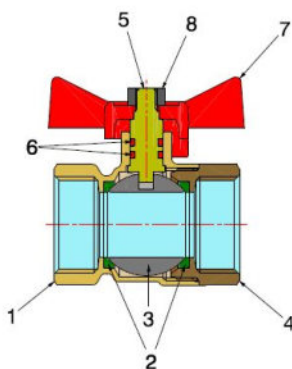
PACKAGING

	1/2"	3/4"	1"
CODE	77500204R	77500206R	77500208R
PCS BOX	25	20	10
PCS CARTON	250	200	120

WATER BALL VALVES

DANUBIO

775000



- F/F water ball valve with T handle
- Thread ISO 228
- Temperature range min -10°C - max +95°C

Valve suitable for distributing and interrupting fluids that are generally non-corrosive, compatibly with the valve materials. Plumbing, heating, industrial and agricultural sectors are the ideal fields of application. It's a standard bore valve and the ball seal is guaranteed by two PTFE seats.

The operating mechanism seal features two O-Rings with an internally installed stem and anti-ejection system.

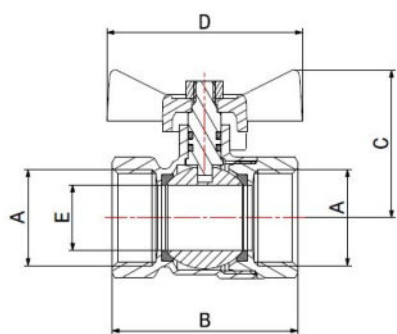
It is advisable to carry out a complete maneuver cycle at least once every three months in order to prevent limescale deposits that could compromise the valve functioning.

COMPONENTS

POS.	PART NAME	N°	MATERIAL
1	Body	1	CW617N UNI-EN 12165 nickel-plated
2	Seal	2	PTFE
3	Ball	1	CW617N UNI-EN 12165 chrome-plated
4	End connection	1	CW617N UNI-EN 12165 nickel-plated
5	Stem	1	CW617N UNI-EN 12164
6	O-Ring	2	NBR
7	"T" handle	1	Lacquered aluminium
8	Nut	1	Galvanised iron

DIMENSIONS

DN	A	B	C	D	E	PN
15	1/2"	45	37	50	14	40
20	3/4"	51	40	50	18	40
25	1"	62	48	67	22,5	40



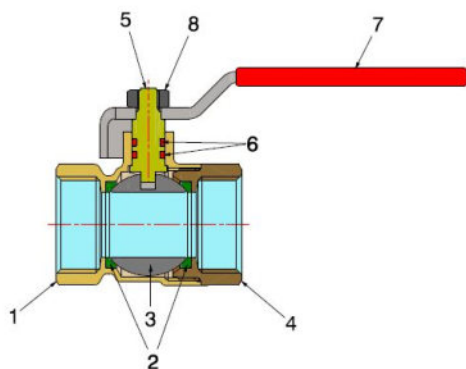
PACKAGING

	1/2"	3/4"	1"
CODE	77500004R	77500006R	77500008R
PCS BOX	25	20	10
PCS CARTON	250	200	120

WATER BALL VALVES

DANUBIO

775001



- F/F water ball valve with iron lever
- Thread ISO 228
- Temperature range min -10°C - max +95°C

Valve suitable for distributing and interrupting fluids that are generally non-corrosive, compatibly with the valve materials. Plumbing, heating, industrial and agricultural sectors are the ideal fields of application. It's a standard bore valve and the ball seal is guaranteed by two PTFE seats.

The operating mechanism seal features two O-Rings with an internally installed stem and anti-ejection system.

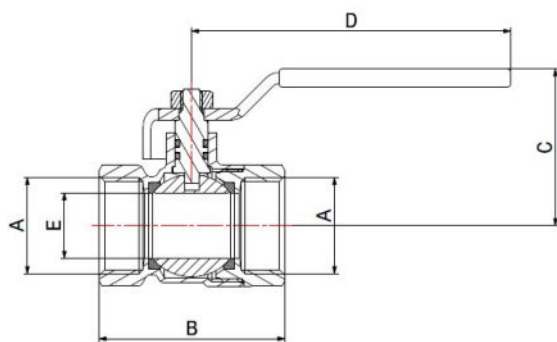
It is advisable to carry out a complete maneuver cycle at least once every three months in order to prevent limescale deposits that could compromise the valve functioning.

COMPONENTS

POS.	PART NAME	N°	MATERIAL
1	Body	1	CW617N UNI-EN 12165 nickel-plated
2	Seal	2	PTFE
3	Ball	1	CW617N UNI-EN 12165 chrome-plated
4	End connection	1	CW617N UNI-EN 12165 nickel-plated
5	Stem	1	CW617N UNI-EN 12164
6	O-Ring	2	NBR
7	Lever	1	Galvanised iron and PVC coated
8	Nut	1	Galvanised iron

DIMENSIONS

DN	A	B	C	D	E	PN
15	1/2"	45	42	87	14	40
20	3/4"	51	45	87	18	40
25	1"	62	50	95	22,5	40



PACKAGING

	1/2"	3/4"	1"
CODE	77500104R	77500106R	77500108R
PCS BOX	25	20	10
PCS CARTON	250	200	120

WATER BALL VALVES

DANUBIO

774800



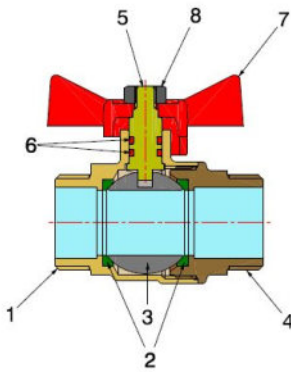
- M/M water ball valve with T handle
- Thread ISO 228
- Temperature range min -10°C - max +95°C



Valve suitable for distributing and interrupting fluids that are generally non-corrosive, compatibly with the valve materials. Plumbing, heating, industrial and agricultural sectors are the ideal fields of application. It's a standard bore valve and the ball seal is guaranteed by two PTFE seats.

The operating mechanism seal features two O-Rings with an internally installed stem and anti-ejection system.

It is advisable to carry out a complete maneuver cycle at least once every three months in order to prevent limescale deposits that could compromise the valve functioning.

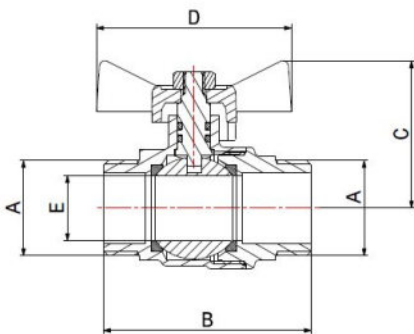


COMPONENTS

POS.	PART NAME	N°	MATERIAL
1	Body	1	CW617N UNI-EN 12165 nickel-plated
2	Seal	2	PTFE
3	Ball	1	CW617N UNI-EN 12165 chrome-plated
4	End connection	1	CW617N UNI-EN 12165 nickel-plated
5	Stem	1	CW617N UNI-EN 12164
6	O-Ring	2	NBR
7	"T" handle	1	Lacquered aluminium
8	Nut	1	Galvanised iron

DIMENSIONS

DN	A	B	C	D	E	PN
15	1/2"	52	38	54	14	40
20	3/4"	58	41	54	18	40
25	1"	69	46	54	22,5	40



PACKAGING

	1/2"	3/4"	1"
CODE	77480004R	77480006R	77480008R
PCS BOX	20	15	10
PCS CARTON	240	150	100

WATER BALL VALVES

DANUBIO

774801



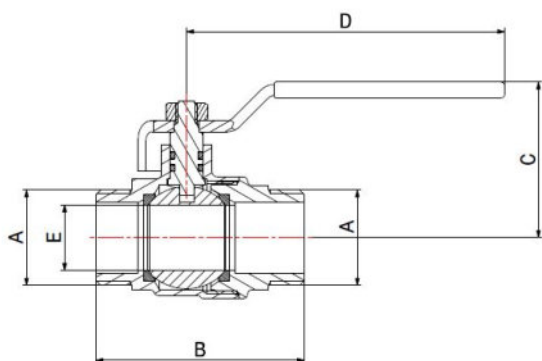
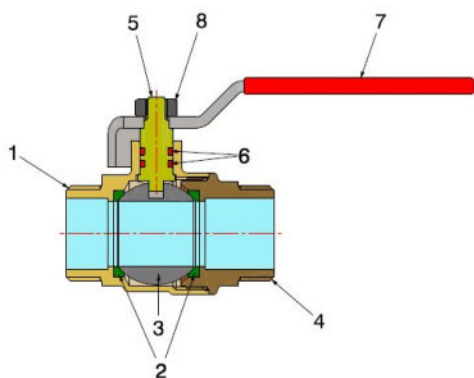
- M/M water ball valve with iron lever
- Thread ISO 228
- Temperature range min -10°C - max +95°C



Valve suitable for distributing and interrupting fluids that are generally non-corrosive, compatibly with the valve materials. Plumbing, heating, industrial and agricultural sectors are the ideal fields of application. It's a standard bore valve and the ball seal is guaranteed by two PTFE seats.

The operating mechanism seal features two O-Rings with an internally installed stem and anti-ejection system.

It is advisable to carry out a complete maneuver cycle at least once every three months in order to prevent limescale deposits that could compromise the valve functioning.



COMPONENTS

POS.	PART NAME	N°	MATERIAL
1	Body	1	CW617N UNI-EN 12165 nickel-plated
2	Seal	2	PTFE
3	Ball	1	CW617N UNI-EN 12165 chrome-plated
4	End connection	1	CW617N UNI-EN 12165 nickel-plated
5	Stem	1	CW617N UNI-EN 12164
6	O-Ring	2	NBR
7	Lever	1	Galvanised iron and PVC coated
8	Nut	1	Galvanised iron

DIMENSIONS

DN	A	B	C	D	E	PN
15	1/2"	52	40	87	14	40
20	3/4"	58	43	87	18	40
25	1"	69	48	95	22,5	40

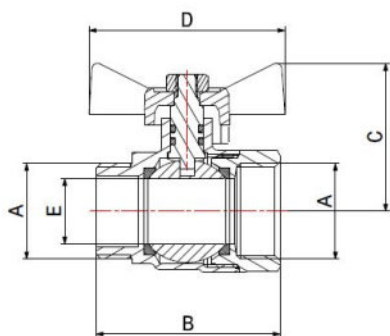
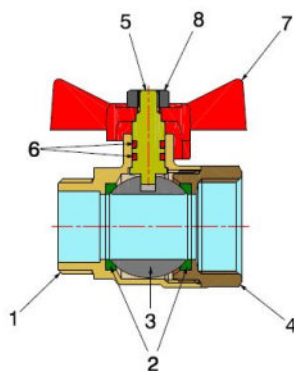
PACKAGING

	1/2"	3/4"	1"
CODE	77480104R	77480106R	77480108R
PCS BOX	25	15	10
PCS CARTON	250	150	100

WATER BALL VALVES

DANUBIO

774900



- M/F water ball valve with T handle
- Thread ISO 228
- Temperature range min -10°C - max +95°C

Valve suitable for distributing and interrupting fluids that are generally non-corrosive, compatibly with the valve materials. Plumbing, heating, industrial and agricultural sectors are the ideal fields of application. It's a standard bore valve and the ball seal is guaranteed by two PTFE seats.

The operating mechanism seal features two O-Rings with an internally installed stem and anti-ejection system.

It is advisable to carry out a complete maneuver cycle at least once every three months in order to prevent limescale deposits that could compromise the valve functioning.

COMPONENTS

POS.	PART NAME	N°	MATERIAL
1	Body	1	CW617N UNI-EN 12165 nickel-plated
2	Seal	2	PTFE
3	Ball	1	CW617N UNI-EN 12165 chrome-plated
4	End connection	1	CW617N UNI-EN 12165 nickel-plated
5	Stem	1	CW617N UNI-EN 12164
6	O-Ring	2	NBR
7	"T" handle	1	Lacquered aluminium
8	Nut	1	Galvanised iron

DIMENSIONS

DN	A	B	C	D	E	PN
15	1/2"	46	38	54	14	40
20	3/4"	51	41	54	18	40
25	1"	62	46	54	22,5	40

PACKAGING

	1/2"	3/4"	1"
CODE	77490004R	77490006R	77490008R
PCS BOX	20	15	10
PCS CARTON	240	150	100

WATER BALL VALVES

DANUBIO

774901

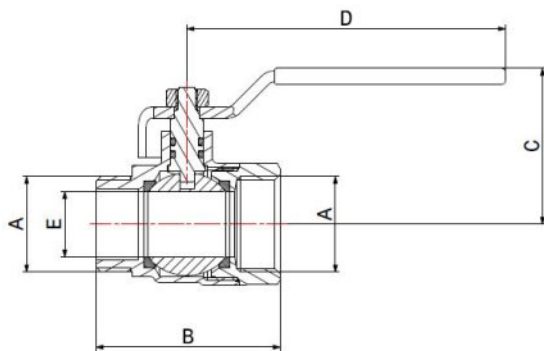
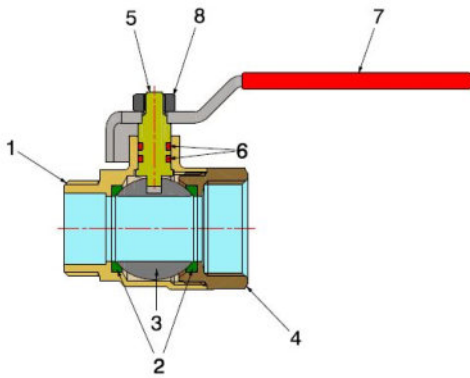


- M/F water ball valve with iron lever
- Thread ISO 228
- Temperature range min -10°C - max +95°C

Valve suitable for distributing and interrupting fluids that are generally non-corrosive, compatibly with the valve materials. Plumbing, heating, industrial and agricultural sectors are the ideal fields of application. It's a standard bore valve and the ball seal is guaranteed by two PTFE seats.

The operating mechanism seal features two O-Rings with an internally installed stem and anti-ejection system.

It is advisable to carry out a complete maneuver cycle at least once every three months in order to prevent limescale deposits that could compromise the valve functioning.



COMPONENTS

POS.	PART NAME	N°	MATERIAL
1	Body	1	CW617N UNI-EN 12165 nickel-plated
2	Seal	2	PTFE
3	Ball	1	CW617N UNI-EN 12165 chrome-plated
4	End connection	1	CW617N UNI-EN 12165 nickel-plated
5	Stem	1	CW617N UNI-EN 12164
6	O-Ring	2	NBR
7	Lever	1	Galvanised iron and PVC coated
8	Nut	1	Galvanised iron

DIMENSIONS

DN	A	B	C	D	E	PN
15	1/2"	46	40	87	14	40
20	3/4"	51	43	87	18	40
25	1"	62	48	95	22,5	40

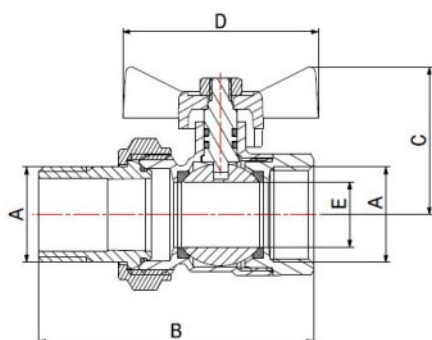
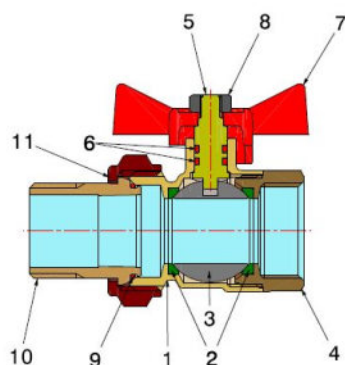
PACKAGING

	1/2"	3/4"	1"
CODE	77490104R	77490106R	77490108R
PCS BOX	25	15	10
PCS CARTON	250	150	120

WATER BALL VALVES

DANUBIO

865000



- M/F water ball valve with connector and red T handle
- Thread ISO 228
- Temperature range min 0°C - max +95°C

Valve suitable for distributing and interrupting fluids that are generally non-corrosive, compatibly with the valve materials. Plumbing, heating, industrial and agricultural sectors are the ideal fields of application. It's a standard bore valve and the ball seal is guaranteed by two PTFE seats.

The operating mechanism seal features two O-Rings with an internally installed stem and anti-ejection system.

It is advisable to carry out a complete maneuver cycle at least once every three months in order to prevent limescale deposits that could compromise the valve functioning.

COMPONENTS

POS.	PART NAME	N°	MATERIAL
1	Body	1	CW617N UNI-EN 12165 nickel-plated
2	Seal	2	PTFE
3	Ball	1	CW617N UNI-EN 12165 chrome-plated
4	End connection	1	CW617N UNI-EN 12165 nickel-plated
5	Stem	1	CW617N UNI-EN 12164
6	O-Ring	2	NBR
7	"T" handle	1	Lacquered aluminium
8	Nut	1	Galvanised iron
9	O-Ring	1	NBR
10	Connector	1	CW617N UNI-EN 12165 nickel-plated
11	Nut	1	CW617N UNI-EN 12165 nickel-plated

DIMENSIONS

DN	A	B	C	D	E	PN
15	1/2"	66	38	54	14	40
20	3/4"	76	41	54	18	40
25	1"	86	46	54	22,5	40

PACKAGING

	1/2"	3/4"	1"
CODE	86500004R	86500006R	86500008R
PCS BOX	15	10	6
PCS CARTON	150	100	72

WATER BALL VALVES

NIAGARA

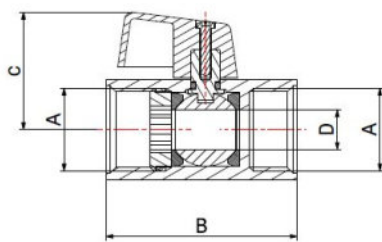
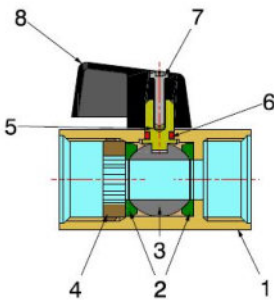
7700



- F/F miniball valve with lever
- Thread ISO 228
- Temperature range min -10°C - max +90°C
- Normal pressure max 10 bar

Valve suitable for distributing and interrupting fluids that are generally non-corrosive, compatibility with the valve materials. Excellent fields of application are in plant engineering for plumbing, heating and pneumatics and industry, when it is necessary to have a shut-off element with reduced dimensions. It is a reduced-bore valve, and ball seal is provided by two PTFE seats. The operating mechanism seal features an O-Ring with an internally installed stem and anti-ejection system.

It is advisable to carry out a complete maneuver cycle at least once every three months in order to prevent limescale deposits that could compromise the valve functioning.



COMPONENTS

POS.	PART NAME	N°	MATERIAL
1	Body	1	CW617N UNI-EN 12164 chrome-plated
2	Seal	2	PTFE
3	Ball	1	CW617N UNI-EN 12164 nickel-plated
4	Ring nut	1	CW617N UNI-EN 12164
5	Stem	1	CW617N UNI-EN 12164 nickel-plated
6	O-Ring	1	NBR
7	Screw	1	CIR UNI 947-72
8	Black plastic lever	1	NYLON PA66 + Glass fiber

DIMENSIONS

DN	A	B	C	D	PN
8	1/4"	39	27	8	10
10	3/8"	42	27	8	10
15	1/2"	47	29	10	10
20	3/4"	54	32	12	10

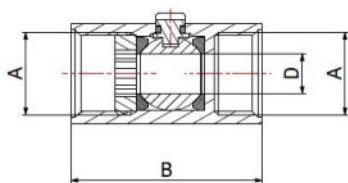
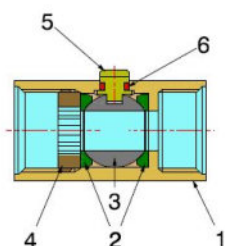
PACKAGING

	1/4"	3/8"	1/2"	3/4"
CODE	77000002	77000003	77000004	77000006
PCS BOX	30	30	20	15
PCS CARTON	300	300	200	150

WATER BALL VALVES

NIAGARA

7710



- F/F miniball valve with screwdriver slot
- Thread ISO 228
- Temperature range min -10°C - max +90°C
- Normal pressure max 10 bar

Valve suitable for distributing and interrupting fluids that are generally non-corrosive, compatibility with the valve materials. Excellent fields of application are in plant engineering for plumbing, heating and pneumatics and industry, when it is necessary to have a shut-off element with reduced dimensions. It is a reduced-bore valve, and ball seal is provided by two PTFE seats. The operating mechanism seal features an O-Ring with an internally installed stem and anti-ejection system.

It is advisable to carry out a complete maneuver cycle at least once every three months in order to prevent limescale deposits that could compromise the valve functioning.

COMPONENTS

POS	PART NAME	N°	MATERIAL
1	Body	1	CW617N UNI-EN 12164 chrome-plated
2	Seal	2	PTFE
3	Ball	1	CW617N UNI-EN 12164 nickel-plated
4	Ring nut	1	CW617N UNI-EN 12164
5	Stem	1	CW617N UNI-EN 12164 nickel-plated
6	O-Ring	1	NBR

DIMENSIONS

DN	A	B	D	PN
8	1/4"	39	8	10
10	3/8"	42	8	10
15	1/2"	47	10	10
20	3/4"	54	12	10

PACKAGING

	1/4"	3/8"	1/2"	3/4"
CODE	77100002	77100003	77100004	77100006
PCS BOX	30	30	20	15
PCS CARTON	300	300	200	150

WATER BALL VALVES

NIAGARA

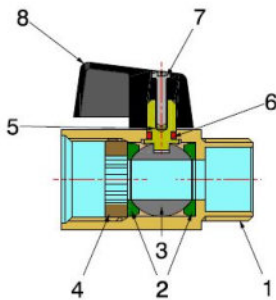
7720



- M/F miniball valve with lever
- Thread ISO 228
- Temperature range min -10°C - max +90°C
- Normal pressure max 10 bar

Valve suitable for distributing and interrupting fluids that are generally non-corrosive, compatibly with the valve materials. Excellent fields of application are in plant engineering for plumbing, heating and pneumatics and industry, when it is necessary to have a shut-off element with reduced dimensions. It is a reduced-bore valve, and ball seal is provided by two PTFE seats. The operating mechanism seal features an O-Ring with an internally installed stem and anti-ejection system.

It is advisable to carry out a complete maneuver cycle at least once every three months in order to prevent limescale deposits that could compromise the valve functioning.

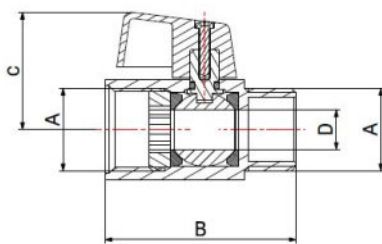


COMPONENTS

POS.	PART NAME	N°	MATERIAL
1	Body	1	CW617N UNI-EN 12164 chrome-plated
2	Seal	2	PTFE
3	Ball	1	CW617N UNI-EN 12164 nickel-plated
4	Ring nut	1	CW617N UNI-EN 12164
5	Stem	1	CW617N UNI-EN 12164 nickel-plated
6	O-Ring	1	NBR
7	Screw	1	CIR UNI 947-72
8	Black plastic lever	1	NYLON PA66 + Glass fiber

DIMENSIONS

DN	A	B	C	D	PN
8	1/4"	39	27	8	10
10	3/8"	40	27	9	10
15	1/2"	45	29	10	10
20	3/4"	51	32	12	10



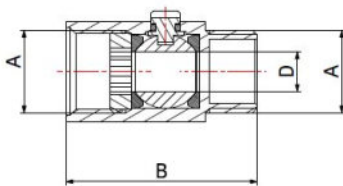
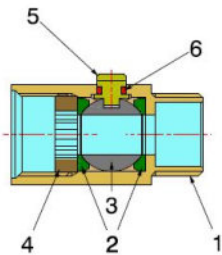
PACKAGING

	1/4"	3/8"	1/2"	3/4"
CODE	77200002	77200003	77200004	77200006
PCS BOX	30	30	25	15
PCS CARTON	300	300	250	150

WATER BALL VALVES

NIAGARA

7730



- M/F miniball valve with screwdriver slot
- Thread ISO 228
- Temperature range min -10°C - max +90°C
- Normal pressure max 10 bar

Valve suitable for distributing and interrupting fluids that are generally non-corrosive, compatibility with the valve materials. Excellent fields of application are in plant engineering for plumbing, heating and pneumatics and industry, when it is necessary to have a shut-off element with reduced dimensions. It is a reduced-bore valve, and ball seal is provided by two PTFE seats. The operating mechanism seal features an O-Ring with an internally installed stem and anti-ejection system.

It is advisable to carry out a complete maneuver cycle at least once every three months in order to prevent limescale deposits that could compromise the valve functioning.

COMPONENTS

POS.	PART NAME	N°	MATERIAL
1	Body	1	CW617N UNI-EN 12164 chrome-plated
2	Seal	2	PTFE
3	Ball	1	CW617N UNI-EN 12164 nickel-plated
4	Ring nut	1	CW617N UNI-EN 12164
5	Stem	1	CW617N UNI-EN 12164 nickel-plated
6	O-Ring	1	NBR

DIMENSIONS

DN	A	B	D	PN
8	1/4"	39	8	10
10	3/8"	40	8	10
15	1/2"	45	10	10
20	3/4"	51	12	10

PACKAGING

	1/4"	3/8"	1/2"	3/4"
CODE	77300002	77300003	77300004	77300006
PCS BOX	30	30	25	15
PCS CARTON	300	300	250	150

WATER BALL VALVES

NIAGARA DZR

7735



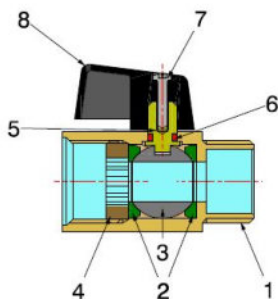
- DZR M/F miniball valve with lever
- Thread ISO 228
- Temperature range min -10°C - max +90°C
- Normal pressure max 10 bar



This valve is particularly indicated for distributing and shutting off fluids that can cause dezincification problems. Excellent fields of application are in plant engineering for plumbing, heating, pneumatics and industry, when it is necessary to have a shut-off element with reduced dimensions.

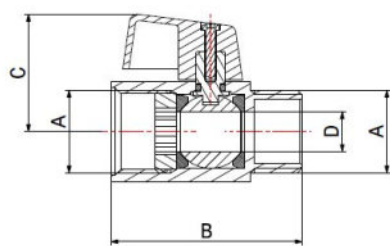
It is a reduced-bore valve, and ball seal is provided by two PTFE seats. Seal of the stem is provided by an O-Ring with the stem mounted from inside and a bottom-loaded system.

It is advisable to carry out a complete maneuver cycle at least once every three months in order to prevent limescale deposits that could compromise the valve functioning.



COMPONENTS

POS.	PART NAME	N°	MATERIAL
1	Body	1	CW511L UNI-EN 12164 chrome-plated
2	Seal	2	PTFE
3	Ball	1	CW511L UNI-EN 12164 nickel-plated
4	Ring nut	1	CW511L UNI-EN 12164
5	Stem	1	CW511L UNI-EN 12164 nickel-plated
6	O-Ring	1	EPDM Perox
7	Screw	1	C4C UNI-EN 10263-03
8	Black plastic lever	1	NYLON PA66 + Glass fiber



DIMENSIONS

DN	A	B	C	D	PN
10	3/8"	40	27	8	10
15	1/2"	45	29	10	10

PACKAGING

	3/8"	1/2"
CODE	77350003	77350004
PCS BOX	5	5
PCS CARTON	100	100

WATER BALL VALVES

NIAGARA DZR

7736



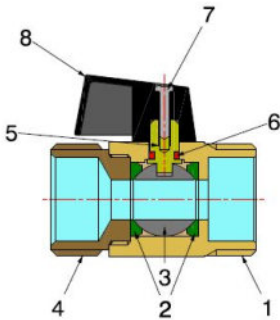
- DZR M/M miniball valve with lever
- Thread ISO 228
- Temperature range min -10°C - max +90°C
- Normal pressure max 10 bar



This valve is particularly indicated for distributing and shutting off fluids that can cause dezincification problems. Excellent fields of application are in plant engineering for plumbing, heating, pneumatics and industry, when it is necessary to have a shut-off element with reduced dimensions.

It is a reduced-bore valve, and ball seal is provided by two PTFE seats. Seal of the stem is provided by an O-Ring with the stem mounted from inside and a bottom-loaded system.

It is advisable to carry out a complete maneuver cycle at least once every three months in order to prevent limescale deposits that could compromise the valve functioning.

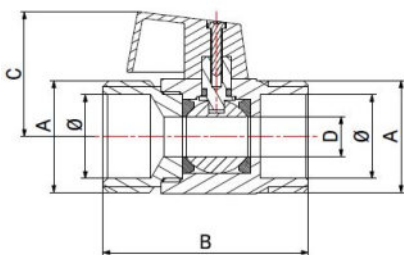


COMPONENTS

POS.	PART NAME	N°	MATERIAL
1	Body	1	CW511L UNI-EN 12164 chrome-plated
2	Seal	2	PTFE
3	Ball	1	CW511L UNI-EN 12164 nickel-plated
4	End connection	1	CW511L UNI-EN 12164 chrome-plated
5	Stem	1	CW511L UNI-EN 12164 nickel-plated
6	O-Ring	1	EPDM Perox
7	Screw	1	C4C UNI-EN 10263-03
8	Black plastic lever	1	NYLON PA66 + Glass fiber

DIMENSIONS

DN	A	Ø	B	C	D	PN
15	1/2"	15	44	28	10	10



PACKAGING

	1/2"
CODE	77360004
PCS BOX	5
PCS CARTON	100

WATER BALL VALVES

NIAGARA DZR

7737



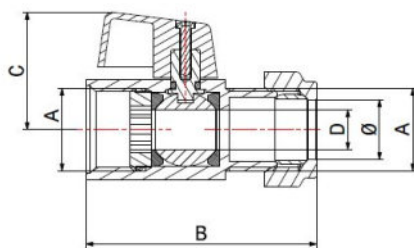
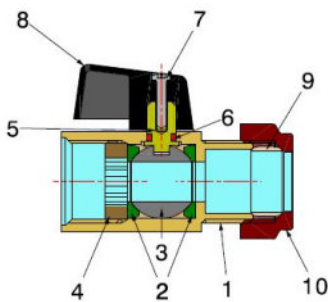
- DZR - F miniball valve with compression end with lever
- Thread ISO 228
- Temperature range min -10°C - max +90°C
- Normal pressure max 10 bar



This valve is particularly indicated for distributing and shutting off fluids that can cause dezincification problems. Excellent fields of application are in plant engineering for plumbing, heating, pneumatic and industry, when it is necessary to have a shut-off element with reduced dimensions.

It is a reduced-bore valve, and ball seal is provided by two PTFE seats. Seal of the stem is provided by an O-Ring with the stem mounted from inside and a bottom-loaded system.

It is advisable to carry out a complete maneuver cycle at least once every three months in order to prevent limescale deposits that could compromise the valve functioning.



COMPONENTS

POS.	PART NAME	N°	MATERIAL
1	Body	1	CW511L UNI-EN 12164 chrome-plated
2	Seal	2	PTFE
3	Ball	1	CW511L UNI-EN 12164 nickel-plated
4	Ring nut	1	CW511L UNI-EN 12164
5	Stem	1	CW511L UNI-EN 12164 nickel-plated
6	O-Ring	1	EPDM Perox
7	Screw	1	C4C UNI-EN 10263-03
8	Black plastic lever	1	NYLON PA66 + Glass fiber
9	Ogive	1	CW602N UNI-EN 12164
10	Nut	1	CW617N UNI-EN 12164 chrome-plated

DIMENSIONS

DN	A	Ø	B	C	D	PN
15	1/2"	12	53	29	10	10
15	1/2"	15	53	29	10	10

PACKAGING

	1/2" - Ø12	1/2" - Ø15
CODE	77371204	77371504
PCS BOX	5	5
PCS CARTON	100	100

WATER BALL VALVES

NIAGARA DZR

7738



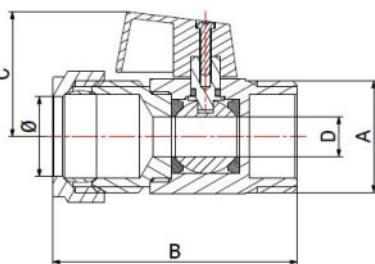
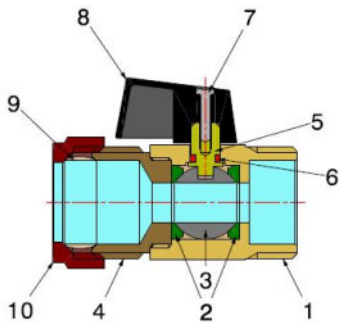
- DZR - M miniball valve with compression end with lever
- Thread ISO 228
- Temperature range min -10°C - max +90°C
- Normal pressure max 10 bar



This valve is particularly indicated for distributing and shutting off fluids that can cause dezincification problems. Excellent fields of application are in plant engineering for plumbing, heating, pneumatics and industry, when it is necessary to have a shut-off element with reduced dimensions.

It is a reduced-bore valve, and ball seal is provided by two PTFE seats. Seal of the stem is provided by an O-Ring with the stem mounted from inside and a bottom-loaded system.

It is advisable to carry out a complete maneuver cycle at least once every three months in order to prevent limescale deposits that could compromise the valve functioning.



COMPONENTS

POS.	PART NAME	N°	MATERIAL
1	Body	1	CW511L UNI-EN 12164 chrome-plated
2	Seal	2	PTFE
3	Ball	1	CW511L UNI-EN 12164 nickel-plated
4	End connection	1	CW617N UNI-EN 12164 chrome-plated
5	Stem	1	CW511L UNI-EN 12164 nickel-plated
6	O-Ring	1	EPDM Perox
7	Screw	1	C4C UNI-EN 10263-03
8	Black plastic lever	1	NYLON PA66 + Glass fiber
9	Ogive	1	CW602N UNI-EN 12164
10	Nut	1	CW602N UNI-EN 12164 chrome-plated

DIMENSIONS

DN	A	Ø	B	C	D	PN
15	1/2"	15	51	28	10	10

PACKAGING

	1/2" - Ø15
CODE	77381504
PCS BOX	5
PCS CARTON	100

WATER BALL VALVES

NIAGARA DZR

7739

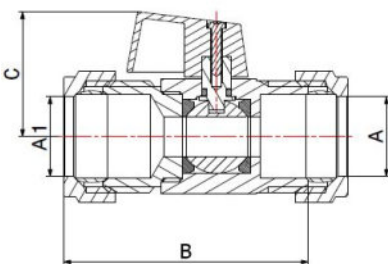
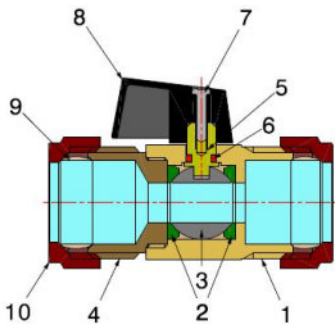


- DZR miniball valve with compression ends with lever
- Temperature range min -10°C - max +90°C
- Normal pressure max 10 bar

This valve is particularly indicated for distributing and shutting off fluids that can cause dezincification problems. Excellent fields of application are in plant engineering for plumbing, heating, pneumatic and industry, when it is necessary to have a shut-off element with reduced dimensions.

It is a reduced-bore valve, and ball seal is provided by two PTFE seats. Seal of the stem is provided by an O-Ring with the stem mounted from inside and a bottom-loaded system.

It is advisable to carry out a complete maneuver cycle at least once every three months in order to prevent limescale deposits that could compromise the valve functioning.



COMPONENTS

POS.	PART NAME	N°	MATERIAL
1	Body	1	CW511L UNI-EN 12164 chrome-plated
2	Seal	2	PTFE
3	Ball	1	CW511L UNI-EN 12164 nickel-plated
4	End connection	1	CW511L UNI-EN 12164 chrome-plated
5	Stem	1	CW511L UNI-EN 12164 nickel-plated
6	O-Ring	1	EPDM Perox
7	Screw	1	CIR UNI 947-72
8	Black plastic lever	1	NYLON PA66 + Glass fiber
9	Ogive	2	CW602N UNI-EN 12164
10	Nut	2	CW602N UNI-EN 12164 chrome-plated

DIMENSIONS

A	A1	B	C	PN
10	10	59	28	10
12	10	58	28	10
12	12	58	28	10
15	10	58	28	10
15	12	61	28	10
15	15	61	28	10

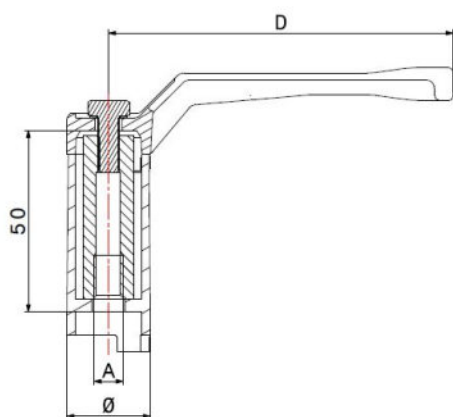
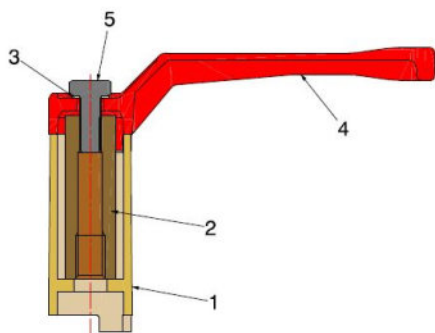
PACKAGING

	Ø10 - Ø10	Ø12 - Ø10	Ø12 - Ø12	Ø15 - Ø10	Ø15 - Ø12	Ø15 - Ø15
CODE	77391010	77391210	77391212	77391510	77391512	77391515
PCS BOX	5	5	5	5	5	5
PCS CARTON	100	100	100	100	100	100

ACCESSORIES

EXTENSION

2600



- Nickel-plated extension for water ball valve

COMPONENTS

POS.	PART NAME	N°	MATERIAL
1	Extension	1	CW617N UNI-EN 12165 nickel-plated
2	Screw stay	1	CW617N UNI-EN 12164
3	Washer	1	Galvanised iron
4	Lever	1	Lacquered aluminium
5	Screw	1	Galvanised iron

TO USE WITH: 26001133

7600	1/2" - 3/4"
7605	1/2" - 3/4"
7615	1/2" - 3/4"
7645	1/2" - 3/4"

TO USE WITH: 26001134

7951	1/2"
7956	15 - 22
7957	1/2"
7960	3/8" - 1/2" - 3/4"
7966	12 - 15 - 18 - 22

TO USE WITH: 26001135

7600	1" - 1.1/4"
7605	1" - 1.1/4"
7615	1" - 1.1/4"
7645	1" - 1.1/4"
7951	3/4" - 1"
7956	28
7957	3/4" - 1"
7960	1" - 1.1/4"
7966	28 - 35

TO USE WITH: 26001136

7600	1.1/2" - 2"
7605	1.1/2" - 2"
7615	1.1/2" - 2"
7645	1.1/2" - 2"
7951	1.1/4" - 1.1/2" - 2"
7957	1.1/4" - 1.1/2" - 2"
7960	1.1/2" - 2"

TO USE WITH: 26001137

7951	2.1/2" - 3" - 4"
------	------------------

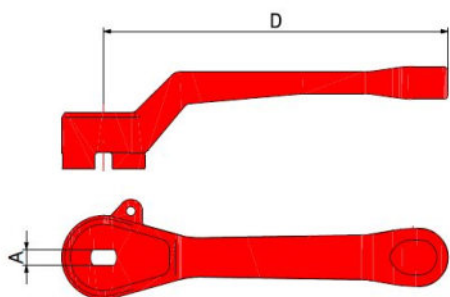
DIMENSIONS

	Ø=23 A=4 M6 D=95	Ø=23 A=6 M8 D=95	Ø=30 A=6 M8 D=120	Ø=36 A=8 M12 D=150	Ø=50 A=14x16 M12 D=240
CODE	26001133	26001134	26001135	26001136	26001137

ACCESSORIES

RED ALUMINIUM LEVER

02R



- Aluminium lever with hole for lead seal (for water ball valves)

TO USE WITH: 76010204R490

7600	1/4" - 3/8" - 1/2" - 3/4"
7605	3/8" - 1/2" - 3/4"
7615	1/2" - 3/4"
7645	1/2" - 3/4"
7750	1/2" - 3/4"
7951	3/8"

TO USE WITH: 79510204R490

7750	1/2" - 3/4"
7951	3/8"
7957	1/2"
7956	15 - 22

TO USE WITH: 76000208R491

7600	1"
7605	1"
7615	1"
7645	1"
7951	3/4" - 1"
7957	3/4" - 1"
7956	28

TO USE WITH: 78000210R491

7600	1.1/4"
7605	1.1/4"
7615	1.1/4"
7645	1.1/4"
7951	1.1/4"
7957	1.1/4"

TO USE WITH: 76000210R491

7600	1.1/2" - 2"
7605	1.1/2" - 2"
7615	1.1/2" - 2"
7645	1.1/2" - 2"
7951	1.1/2" - 2"
7957	1.1/2" - 2"

TO USE WITH: 76400215R490

7951	2.1/2" - 3" - 4"
------	------------------

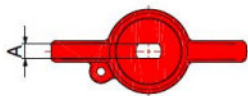
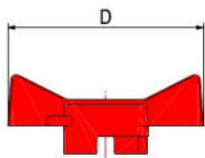
DIMENSIONS

	D=95 SLOT 4	D=95 SLOT 6	D=120 SLOT 6	D=125 SLOT 8	D=150 SLOT 8	D=240 SLOT 14x16
CODE	76010204R490	79510204R490	76000208R491	78000210R491	76000210R491	76400215R490

ACCESSORIES

RED T HANDLE

00R



- Aluminium T handle with hole for lead seal (for water ball valves)

TO USE WITH: 76500002R401

7602	1/4" - 3/8" - 1/2" - 3/4"
7607	3/8" - 1/2" - 3/4"
7617	1/2" - 3/4"
7647	1/2" - 3/4"
7650	1/2" - 3/4"
7748	1/2" - 3/4"
7749	1/2" - 3/4"
7750	1/2" - 3/4"
7953	3/8"
8650	1/2" - 3/4"

TO USE WITH: 76530004R400

7748	1"
7749	1"
7750	1"
7953	1/2"
7957	1/2"
8650	1"

TO USE WITH: 76500006R401

7602	1"
7607	1"
7608	1"
7617	1"
7647	1"
7650	1" - 1.1/4"
7660	3/4" - 1"
7662	1"
7663	1"
7953	3/4" - 1"
7957	3/4" - 1"

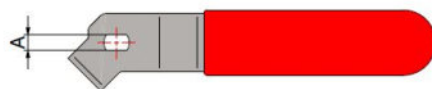
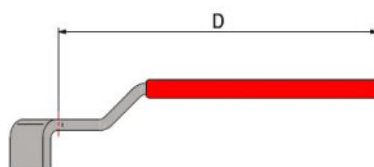
DIMENSIONS

	D=54 SLOT 4	D=54 SLOT 6	D=70 SLOT 6
CODE	76500002R401	76530004R400	76500006R401

ACCESSORIES

RED IRON LEVER

01R



- Galvanized iron and PVC coated lever (for water ball valves)

TO USE WITH: 79510103R490

7600	1/4" - 3/8" - 1/2" - 3/4"
7605	3/8" - 1/2" - 3/4"
7615	1/2" - 3/4"
7645	1/2" - 3/4"
7748	1/2" - 3/4"
7749	1/2" - 3/4"
7750	1/2" - 3/4"
7951	3/8"

TO USE WITH: 79510104R490

7748	1"
7749	1"
7750	1"
7951	1/2" - 3/4"
7956	15 - 22
7957	1/2" - 3/4"

TO USE WITH: 79510108R490

7600	1"
7605	1"
7615	1"
7645	1"
7951	1"
7956	28
7957	1"

TO USE WITH: 79510110R490

7600	1.1/4"
7605	1.1/4"
7615	1.1/4"
7645	1.1/4"
7951	1.1/4"
7957	1.1/4"

TO USE WITH: 79510111R490

7600	1.1/2" - 2"
7605	1.1/2" - 2"
7615	1.1/2" - 2"
7645	1.1/2" - 2"
7951	1.1/2" - 2"
7957	1.1/2" - 2"

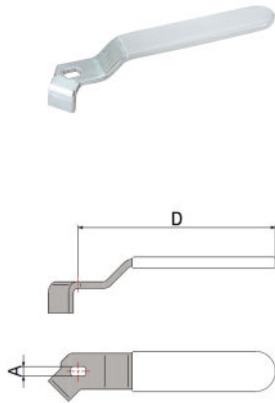
DIMENSIONS

	D=87 SLOT 4	D=95 SLOT 6	D=120 SLOT 6	D=120 SLOT 8	D=150 SLOT 8
CODE	79510103R490	79510104R490	79510108R490	79510110R490	79510111R490

ACCESSORIES

WHITE IRON LEVER

01W



- Galvanized iron and PVC coated lever (for water ball valves)

TO USE WITH: 79510104W490

7960	3/8" - 1/2" - 3/4"
7966	12 - 15 - 18 - 22

TO USE WITH: 79510108W490

7960	1" - 1.1/4"
7966	28 - 35

TO USE WITH: 79510111W490

7960	1.1/2" - 2"
------	-------------

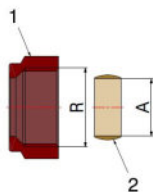
DIMENSIONS

	D=95 SLOT 6	D=120 SLOT 6	D=150 SLOT 8
CODE	79510104W490	79510108W490	79510111W490

ACCESSORIES

NUT AND OGIVE

7956XA



- Nut and ogive

COMPONENTS

POS.	PART NAME	N°	MATERIAL
1	Nut	1	CW617N UNI-EN 12165 nickel-plated
2	Ogive	1	CW508L UNI-EN 12449

DIMENSIONS

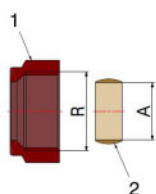
R	A
1/2"	15
Ø28.5x14FIL.	22
Ø35x14FIL.	28

	1/2" - 15	Ø28.5x14 - 22	Ø35x14 - 28
CODE	79560015XA	79560022XA	79560028XA

ACCESSORIES

NUT AND OGIVE

7966XA



- Nut and ogive

COMPONENTS

POS.	PART NAME	N°	MATERIAL
1	Nut	1	CW617N UNI-EN 12165 nickel-plated
2	Ogive	1	CW508L UNI-EN 12449

DIMENSIONS

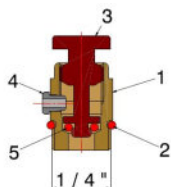
R	A
3/8"	12
1/2"	15
W.15/16x14	18
Ø28.5x14	22
Ø35x14	28
W.42.06x14	35

	3/8" - 12	1/2" - 15	W.15/16x14 - 18	Ø28.5x14 - 22	Ø35x14 - 28	W.42.06x14 - 35
CODE	79660012XA	79660015XA	79660018XA	79660022XA	79660028XA	79660035XA

ACCESSORIES

DRAIN COCK

399111



- Drain cock with O-Ring for water ball valve
- Nickel-plated finishing

COMPONENTS

POS.	DESCRIPTION	N°	MATERIAL
1	Relief valve body	1	CW617N UNI-EN 12164 nickel-plated
2	O-Ring	1	NBR
3	Screw	1	CW617N UNI-EN 12164 nickel-plated
4	Relief nozzle	1	CW617N UNI-EN 12164 nickel-plated
5	O-Ring	1	NBR

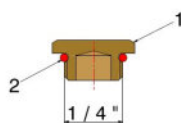
PACKAGING

	1/4"
CODE	39911102
PCS BOX	-
PCS CARTON	1000

ACCESSORIES

NICKEL-PLATED CAP

330011XA



- Cap with O-Ring for 7615 water ball valve
- Nickel-plated finishing

COMPONENTS

POS.	PART NAME	N°	MATERIAL
1	Plug	1	CW617N UNI-EN 12164 nickel-plated
2	O-Ring	1	NBR

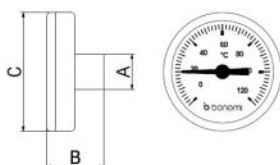
DIMENSIONS

	1/4"
CODE	33001102XA

ACCESSORIES

THERMOMETER

76610000



- Thermometer for angle valve Ø12x10
- Temperature range: 0° - 120°C
- Temperature tolerated by the body 70°C

DIMENSIONS

A	B	C
12	19,5	40,5

PACKAGING

CODE	76610000
PCS BOX	ON DEMAND

BALL VALVE INSTALLATION, USAGE AND MAINTENANCE INSTRUCTIONS

1. Introduction

The ball valve is an organ for fluids' interception made up by:

- Body or casting: it constitutes the external part of the valve; internally it has two shaped connections to link the valve to the piping system;
- Ball: it is the actual organ of interception; the sealing is obtained through the compression of two gaskets, made of a deformable material, against the ball itself;
- Spindle: it is the existent link between the ball and the valve manoeuvring part;
- Manoeuvring part: it is the system through which the valve is manoeuvred; this system, most commonly a lever, can be on demand supplied in different shapes;
- Connections: these can be male or female threaded, with soldering or compression ends.

2. Assembling

Idrosanitaria Bonomi valves are bidirectional, they allow flows from both directions and in any position.

The valve must be installed, having the ball on the opened position, when the system is not working and after having checked that piping are not under pressure and at room temperature.

System fixing is set through the valve body threaded connections. The two threaded connections are produced according to international regulations, thereby matching fittings and pipes need to be made by the same regulations too.

In order to facilitate connections' sealing, on the pipes' thread, some appropriate sealing products can be used (ex: Teflon tape, hemp, etc.).

Sealing products use must be limited to the threaded area, the excess can interfere with the closing of ball-gasket, jeopardizing the seal and generating tension on the valve.

During assembling it is suggested to tighten up the piping by blocking the valve with an appropriate spanner in the hexagonal/octagonal base, placed on the external part on the same thread where the pipe is connected. It is besides suggested not to exceed in the tightening action in order not to create tensions on the valve. Make sure that pipes are correctly aligned.

Upstream and downstream pipes need to be appropriately connected to the valve in order not to generate tensions on the valve, during and after assembling.

After assembling, a system accurate wash with open valve is advisable, allowing remains removal, without the latter damaging the ball or the gaskets.

For a proper use it is advised to open/close the valve slowly, avoiding water hammers from occurring. It is besides advisable to use proper pressure limit control devices to help reducing water hammers' occurrence.

It is suggested to place an impurities collector filter upstream to the valve.

3. Usage

The fluid going through the valve needs to be compatible with the valve construction materials.

Pressure and temperature conditions are also defined in provided technical specifications.

We highly recommend valve usage on completely open or closed position (not on partial opening/closing and not closed for a long time), as to avoid seal damages.

The ball valve opens by rotating the handle of 90° anticlockwise and closes by rotating the handle by 90° clockwise.

The handle direction indicates whether the valve is open or closed. If the handle is aligned with the valve, the same is open, whilst when perpendicular it is closed.

4. Disassembling

When disassembling the valve from the system/piping it is highly recommended to:

- Wear appropriate coveralls according to the fluid contained in the system;
 - Depressurize the system and operate as follows:
 - Place the valve in the open position and empty the system
 - Manoeuvre the valve to unload pressure;
 - Apply the spanner to the end of the closest valve to the pipe
- Once the valve is disassembled it is not suggested to reuse it.

5. Maintenance

Usually, ball valves are not required any kind of maintenance; however, a periodical check is suggested in order to ensure its correct functioning.

If the valve is working under extreme conditions, it is recommended to check it more frequently.

It is suggested to carry out a complete manoeuvre cycle once every 3 months to prevent scale from forming and preventing the valve from properly functioning.



02

**COMPONENTS
FOR PLUMBING
AND HEATING**



STOP VALVES

ANGLE-SEAT VALVE

7490

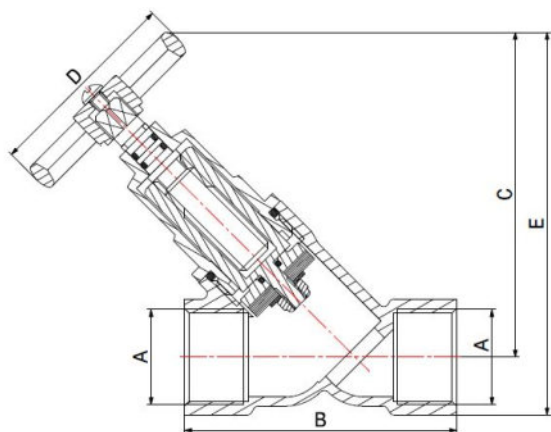
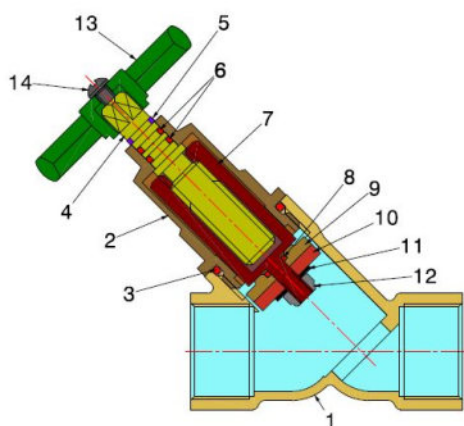


- F/F angle-seat valve with fixed stem
- Female thread EN10226-1
- Temperature range min 0°C - max +95°C

Valve suitable for distributing and interrupting fluids that are generally non-corrosive, compatibly with the valve materials. Plumbing and heating systems and industrial sector are the ideal fields of application.

Valve produced according to German standards DIN 3502 and 3546 SECTION II.

The seat tightness is guaranteed by a EPDM PEROX seal, approved by KTW.



COMPONENTS

POS.	PART NAME	N°	MATERIAL
1	Body	1	CW617N UNI-EN 12165
2	Upper part body	1	CW617N UNI-EN 12164 - CW617N UNI-EN 12165
3	O-Ring	1	KTW approved EPDM Perox
4	Upper part stem	1	CW617N UNI-EN 12164
5	Snap ring	1	Phosphorous bronze
6	O-Ring	2	KTW approved EPDM Perox
7	Valve	1	CW617N UNI-EN 12164
8	O-Ring	1	KTW approved EPDM Perox
9	Hose end disc	1	CW617N UNI-EN 12164
10	Gasket	1	KTW approved EPDM Perox
11	Washer	1	CW508L UNI-EN 1652
12	Self-locking nut	1	Brass
13	Handwheel	1	Plastic
14	Screw	1	CW508L UNI-EN 12166

DIMENSIONS

DN	A	B	C	D	E	PN
15	Rp 1/2"	65	79	50	93	16
20	Rp 3/4"	75	90	50	106	16
25	Rp 1"	90	103	55	123	16
32	Rp 1.1/4"	110	125	70	150	16
40	Rp 1.1/2"	120	136	70	163	16
50	Rp 2"	150	153	70	188	16

PACKAGING

	Rp 1/2"	Rp 3/4"	Rp 1"	Rp 1.1/4"	Rp 1.1/2"	Rp 2"
CODE	74900004	74900006	74900008	74900010	74900011	74900013
PCS BOX	-	-	-	-	-	-
PCS CARTON	70	50	30	20	15	10

STOP VALVES

ANGLE-SEAT VALVE

7495

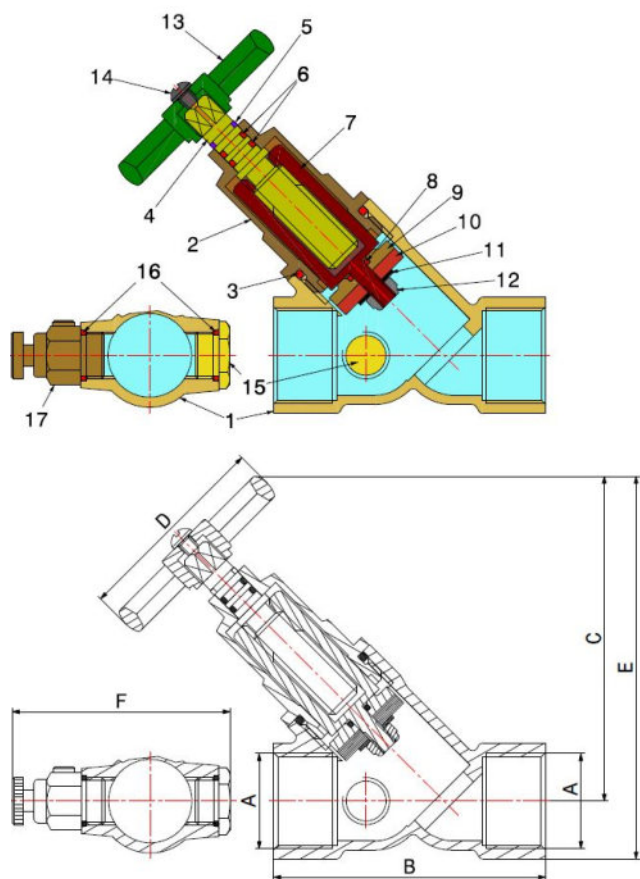


- F/F angle-seat valve with fixed stem and with drain cock
- Female thread EN10226-1
- Temperature range min 0°C - max +95°C

Valve suitable for distributing and interrupting fluids that are generally non-corrosive, compatibly with the valve materials. Plumbing and heating systems and industrial sector are the ideal fields of application.

Valve produced according to German standards DIN 3502 and 3546 SECTION II.

The seat tightness is guaranteed by a EPDM PEROX seal, approved by KTW.



COMPONENTS

POS.	PART NAME	N°	MATERIAL
1	Body	1	CW617N UNI-EN 12165
2	Upper part body	1	CW617N UNI-EN 12164 - CW617N UNI-EN 12165
3	O-Ring	1	KTW approved EPDM Perox
4	Upper part stem	1	CW617N UNI-EN 12164
5	Snap ring	1	Phosphorous bronze
6	O-Ring	2	KTW approved EPDM Perox
7	Valve	1	CW617N UNI-EN 12164
8	O-Ring	1	KTW approved EPDM Perox
9	Hose end disc	1	CW617N UNI-EN 12164
10	Gasket	1	KTW approved EPDM Perox
11	Washer	1	CW508L UNI-EN 1652
12	Self-locking nut	1	Brass
13	Handwheel	1	Plastic
14	Screw	1	CW508L UNI-EN 12166
15	Plug	1	CW617N UNI-EN 12164
16	O-Ring	2	KTW approved EPDM Perox
17	Vent nozzle	1	CW617N UNI-EN 12164

DIMENSIONS

DN	A	B	C	D	E	F	PN
15	Rp 1/2"	65	79	50	93	56	16
20	Rp 3/4"	75	90	50	106	62	16
25	Rp 1"	90	103	55	123	68	16
32	Rp 1.1/4"	110	125	70	150	74	16
40	Rp 1.1/2"	120	136	70	163	79	16
50	Rp 2"	150	153	70	188	89	16

PACKAGING

	Rp 1/2"	Rp 3/4"	Rp 1"	Rp 1.1/4"	Rp 1.1/2"	Rp 2"
CODE	74950004	74950006	74950008	74950010	74950011	74950013
PCS BOX	-	-	-	-	-	-
PCS CARTON	70	50	30	20	15	10

STOP VALVES

ANGLE-SEAT VALVE

7480

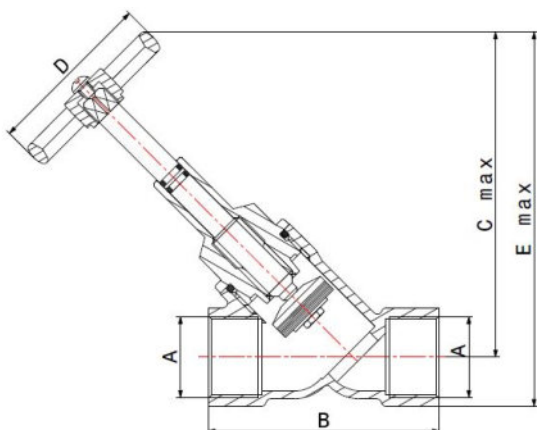
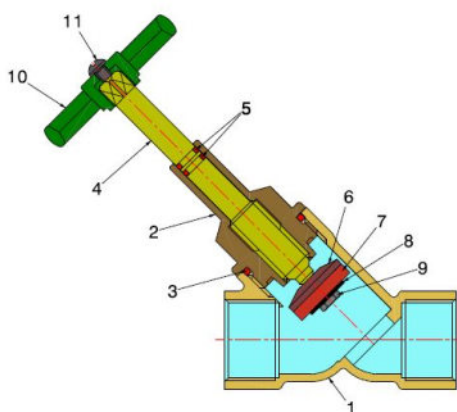


- F/F angle-seat valve with moving stem
- Female thread EN10226-1
- Temperature range min 0°C - max +95°C

Valve suitable for distributing and interrupting fluids that are generally non-corrosive, compatibly with the valve materials. Plumbing and heating systems and industrial sector are the ideal fields of application.

Valve produced according to German standards DIN 3502 and 3546 SECTION II.

The seat tightness is guaranteed by a EPDM PEROX seal, approved by KTW.



COMPONENTS

POS.	PART NAME	N°	MATERIAL
1	Body	1	CW617N UNI-EN 12165
2	Upper part body	1	CW617N UNI-EN 12164 - CW617N UNI-EN 12165
3	O-Ring	1	KTW approved EPDM Perox
4	Upper part stem	1	CW617N UNI-EN 12164
5	O-Ring	2	KTW approved EPDM Perox
6	Hose end disc	1	CW617N UNI-EN 12164 - CW617N UNI-EN 12165
7	Gasket	1	KTW approved EPDM Perox
8	Washer	1	CW508L UNI-EN 1652
9	Nut	1	CW617N UNI-EN 12164
10	Handwheel	1	Plastic
11	Screw	1	CW508L UNI-EN 12166

DIMENSIONS

DN	A	B	C max	D	E max	PN
15	Rp 1/2"	65	89	50	103	16
20	Rp 3/4"	75	106	55	122	16
25	Rp 1"	90	126	55	146	16
32	Rp 1.1/4"	110	162	70	177	16
40	Rp 1.1/2"	120	175	70	202	16
50	Rp 2"	150	207	70	242	16

PACKAGING

	Rp 1/2"	Rp 3/4"	Rp 1"	Rp 1.1/4"	Rp 1.1/2"	Rp 2"
CODE	74800004	74800006	74800008	74800010	74800011	74800013
PCS BOX	-	-	-	-	-	-
PCS CARTON	50	40	30	20	15	10

STOP VALVES

ANGLE-SEAT VALVE

7485

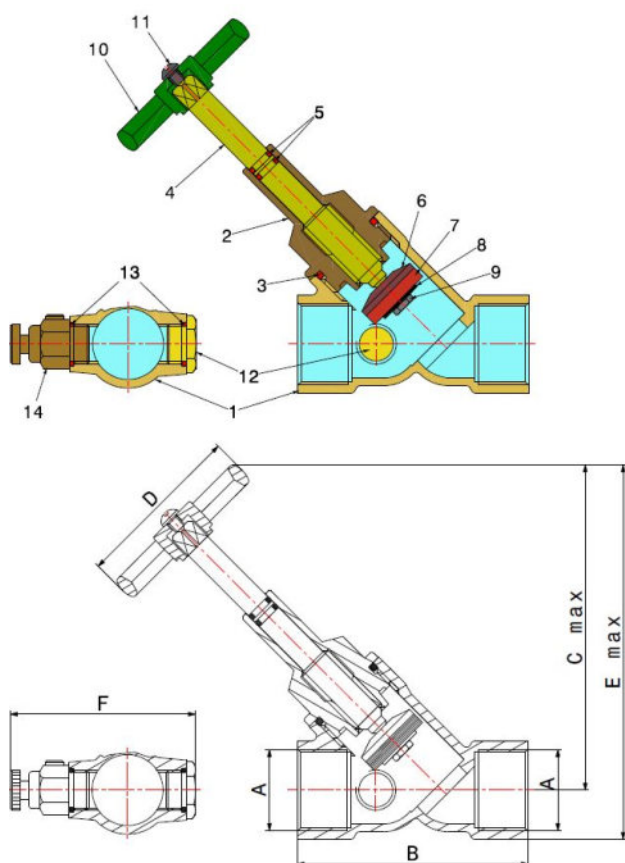


- F/F angle-seat valve with moving stem and drain cock
- Female thread EN10226-1
- Temperature range min 0°C max - +95°C

Valve suitable for distributing and interrupting fluids that are generally non-corrosive, compatibly with the valve materials. Plumbing and heating systems and industrial sector are the ideal fields of application.

Valve produced according to German standards DIN 3502 and 3546 SECTION II.

The seat tightness is guaranteed by a EPDM PEROX seal, approved by KTW.



COMPONENTS

POS.	PART NAME	N°	MATERIAL
1	Body	1	CW617N UNI-EN 12165
2	Upper part body	1	CW617N UNI-EN 12164 - CW617N UNI-EN 12165
3	O-Ring	1	KTW approved EPDM Perox
4	Upper part stem	1	CW617N UNI-EN 12164
5	O-Ring	2	KTW approved EPDM Perox
6	Hose end disc	1	CW617N UNI-EN 12164 - CW617N UNI-EN 12165
7	Gasket	1	KTW approved EPDM Perox
8	Washer	1	CW508L UNI-EN 1652
9	Nut	1	CW617N UNI-EN 12164
10	Handwheel	1	Plastic
11	Screw	1	CW508L UNI-EN 12166
12	Plug	1	CW617N UNI-EN 12164
13	O-Ring	2	KTW approved EPDM Perox
14	Vent nozzle	1	CW617N UNI-EN 12164

DIMENSIONS

DN	A	B	C max	D	E max	F	PN
15	Rp 1/2"	65	89	50	103	56	16
20	Rp 3/4"	75	106	55	122	62	16
25	Rp 1"	90	126	55	146	68	16
32	Rp 1.1/4"	110	152	70	177	74	16
40	Rp 1.1/2"	120	175	70	202	79	16
50	Rp 2"	150	207	70	242	89	16

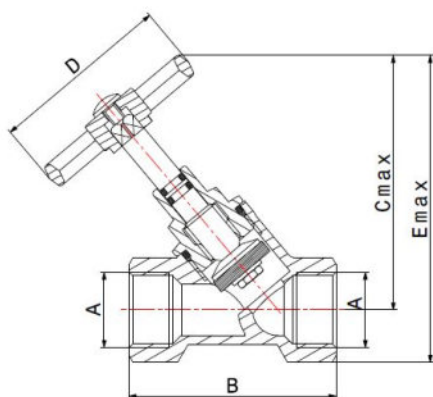
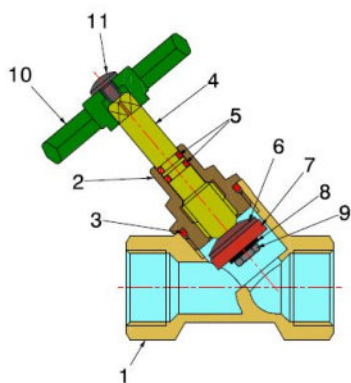
PACKAGING

	Rp 1/2"	Rp 3/4"	Rp 1"	Rp 1.1/4"	Rp 1.1/2"	Rp 2"
CODE	74850004	74850006	74850008	74850010	74850011	74850013
PIECES PER BOX	-	-	-	-	-	-
PIECES PER CARTON	50	40	30	20	15	10

STOP VALVES

ANGLE-SEAT VALVE

7520A



- F/F angle-seat valve
- Female thread ISO 228
- Temperature range min 0°C - max +95°C

Valve suitable for distributing and interrupting fluids that are generally non-corrosive, compatibly with the valve materials. Plumbing and heating systems and industrial sector are the ideal fields of application.

The seat tightness is guaranteed by a EPDM PEROX seal, approved by KTW.

COMPONENTS

POS.	PART NAME	N°	MATERIAL
1	Body	1	CW617N UNI-EN 12165
2	Upper part body	1	CW617N UNI-EN 12164 - CW617N UNI-EN 12165
3	O-Ring	1	KTW approved EPDM Perox
4	Upper part stem	1	CW617N UNI-EN 12164
5	O-Ring	2	KTW approved EPDM Perox
6	Hose end disc	1	CW617N UNI-EN 12164 - CW617N UNI-EN 12165
7	Gasket	1	KTW approved EPDM Perox
8	Washer	1	CW508L UNI-EN 1652
9	Nut	1	CW617N UNI-EN 12164
10	Handwheel	1	Plastic
11	Screw	1	CW508L UNI-EN 12166

DIMENSIONS

DN	A	B	C max	D	E max	PN
15	1/2"	57	67	50	81	16
20	3/4"	66	77	50	94	16
25	1"	80	96	55	118	16
32	1.1/4"	92	115	55	141	16
40	1.1/2"	101	131	70	160	16
50	2"	121	157	70	192	16

PACKAGING

	1/2"	3/4"	1"	1.1/4"	1.1/2"	2"
CODE	7520A004	7520A006	7520A008	7520A010	7520A011	7520A013
PCS BOX	-	-	-	-	-	-
PCS CARTON	80	50	50	30	20	10

STOP VALVES

ANGLE-SEAT VALVE

7530A



- F/F angle-seat valve with drain cock
- Female thread ISO 228
- Temperature range min 0°C - max +95°C

Valve suitable for distributing and interrupting fluids that are generally non-corrosive, compatibly with the valve materials. Plumbing and heating systems and industrial sector are the ideal fields of application.

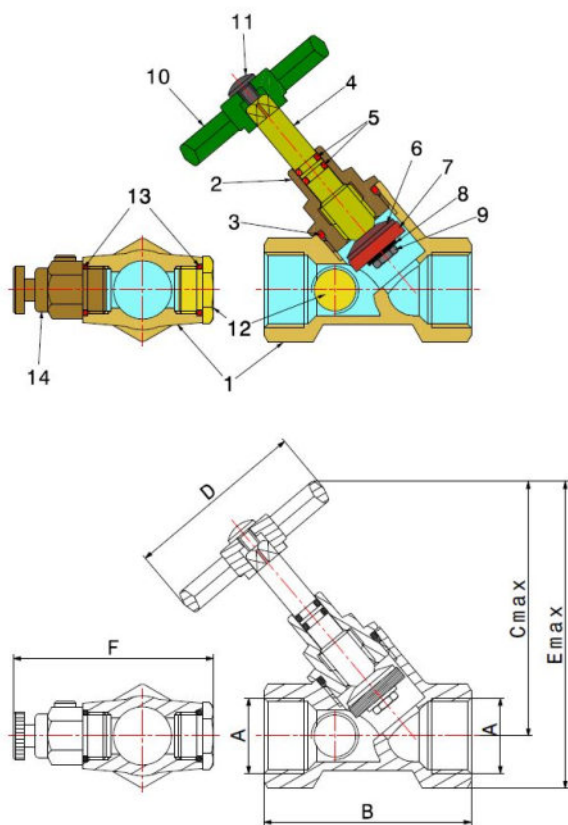
The seat tightness is guaranteed by a EPDM PEROX seal, approved by KTW.

COMPONENTS

POS.	PART NAME	N°	MATERIAL
1	Body	1	CW617N UNI-EN 12165
2	Upper part body	1	CW617N UNI-EN 12164 - CW617N UNI-EN 12165
3	O-Ring	1	KTW approved EPDM Perox
4	Upper part stem	1	CW617N UNI-EN 12164
5	O-Ring	2	KTW approved EPDM Perox
6	Hose end disc	1	CW617N UNI-EN 12164 - CW617N UNI-EN 12165
7	Gasket	1	KTW approved EPDM Perox
8	Washer	1	CW508L UNI-EN 1652
9	Nut	1	CW617N UNI-EN 12164
10	Handwheel	1	Plastic
11	Screw	1	CW508L UNI-EN 12166
12	Plug	1	CW617N UNI-EN 12164
13	O-Ring	2	KTW approved EPDM Perox
14	Vent nozzle	1	CW617N UNI-EN 12164

DIMENSIONS

DN	A	B	C max	D	E max	F	PN
15	1/2"	57	67	50	81	56	16
20	3/4"	66	77	50	94	61	16
25	1"	80	96	55	118	66	16
32	1.1/4"	92	115	55	141	72	16
40	1.1/2"	101	131	70	160	74	16
50	2"	121	157	70	192	83	16



PACKAGING

	1/2"	3/4"	1"	1.1/4"	1.1/2"	2"
CODE	7530A004	7530A006	7530A008	7530A010	7530A011	7530A013
PCS BOX	-	-	-	-	-	-
PCS CARTON	80	50	50	30	20	10

STOP VALVES

ANGLE-SEAT VALVE

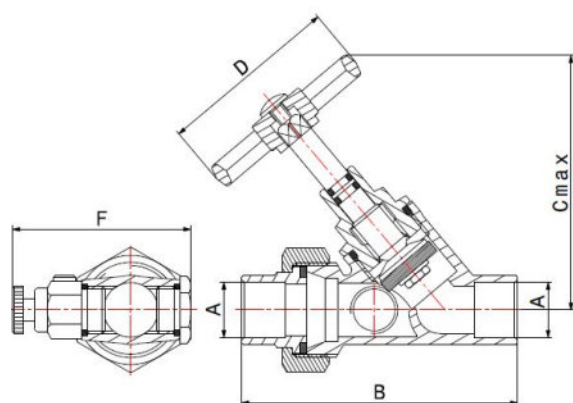
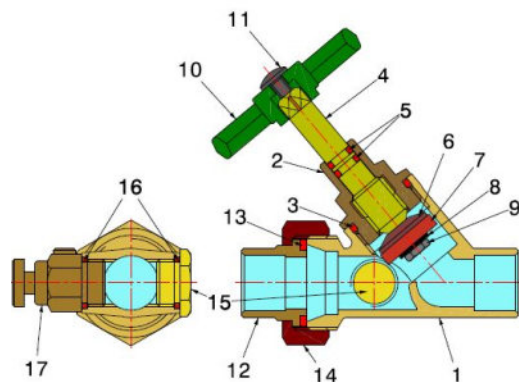
7535



- Angle-seat valve for copper pipe connection with drain cock
- Temperature range min 0°C - max +95°C

Valve suitable for distributing and interrupting fluids that are generally non-corrosive, compatibly with the valve materials. Plumbing and heating systems and industrial sector are the ideal fields of application.

The seat tightness is guaranteed by a NBR seal.



COMPONENTS

POS.	PART NAME	N°	MATERIAL
1	Body	1	CW617N UNI-EN 12165
2	Upper part body	1	CW617N UNI-EN 12164 - CW617N UNI-EN 12165
3	O-Ring	1	NBR
4	Upper part stem	1	CW617N UNI-EN 12164
5	O-Ring	2	NBR
6	Hose end disc	1	CW617N UNI-EN 12164 - CW617N UNI-EN 12165
7	Gasket	1	NBR
8	Washer	1	CW508L UNI-EN 1652
9	Nut	1	CW617N UNI-EN 12164
10	Handwheel	1	Plastic
11	Screw	1	CW508L UNI-EN 12166
12	Connection	1	CW617N UNI-EN 12164
13	Gasket	1	NBR
14	Nut	1	CW617N
15	Plug	1	CW617N UNI-EN 12164
16	O-Ring	2	NBR
17	Vent nozzle	1	CW617N UNI-EN 12164

DIMENSIONS

A	B	C max	D	F	PN
15	76	67	50	48	16
18	83	67	50	50	16
22	95	77	50	55	16
28	112	95	55	57	16
35	137	114	55	62	16

PACKAGING

	15	18	22	28	35
CODE	75350066	75350068	75350069	75350070	75350071
PCS BOX	-	-	-	-	-
PCS CARTON	80	50	50	50	40

STOP VALVES

ANGLE-SEAT VALVE

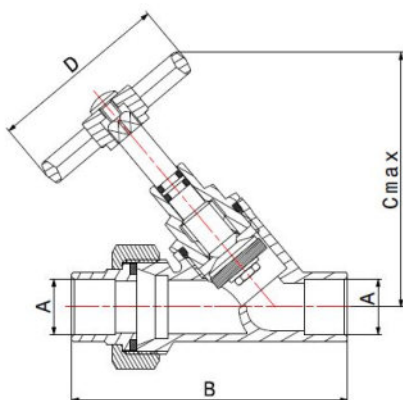
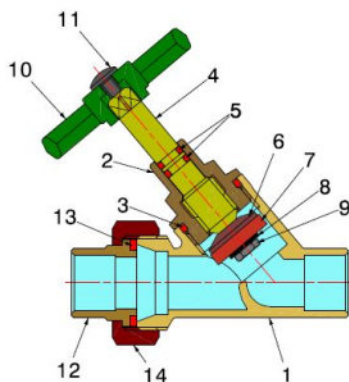
7560



- Angle-seat valve with copper pipe connection
- Temperature range min 0°C - max +95°C

Valve suitable for distributing and interrupting fluids that are generally non-corrosive, compatibly with the valve materials. Plumbing and heating systems and industrial sector are the ideal fields of application.

The seat tightness is guaranteed by a NBR seal.



COMPONENTS

POS.	PART NAME	N°	MATERIAL
1	Body	1	CW617N UNI-EN 12165
2	Upper part body	1	CW617N UNI-EN 12164 - CW617N UNI-EN 12165
3	O-Ring	1	NBR
4	Upper part stem	1	CW617N UNI-EN 12164
5	O-Ring	2	NBR
6	Hose end disc	1	CW617N UNI-EN 12164 - CW617N UNI-EN 12165
7	Gasket	1	NBR
8	Washer	1	CW508L UNI-EN 1652
9	Nut	1	CW617N UNI-EN 12164
10	Handwheel	1	Plastic
11	Nut	1	CW508L UNI-EN 12166
12	Screw	1	CW617N UNI-EN 12164
13	Gasket	1	NBR
14	Nut	1	CW617N UNI-EN 12165

DIMENSIONS

A	B	C max	D	PN
15	76	67	50	16
18	83	67	50	16
22	95	77	50	16
28	112	95	55	16
35	137	114	55	16

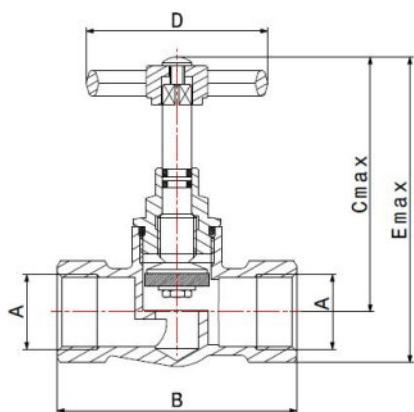
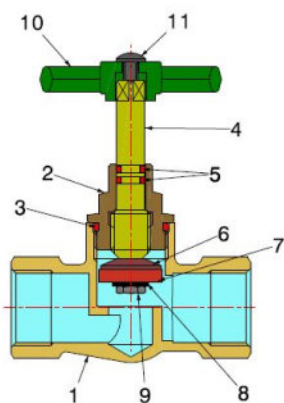
PACKAGING

	15	18	22	28	35
CODE	75600066	75600068	75600069	75600070	75600071
PCS BOX	-	-	-	-	-
PCS CARTON	80	50	50	50	40

ANGLE-SEAT VALVE

STOP VALVE

3290A



- F/F stop valve
- Female thread ISO 228 (1/2"-3/4"-1")
- Female Thread EN10226-1 (1.1/4"-1.1/2"-2")
- Temperature range min 0°C - max +95°C

Valve suitable for distributing and interrupting fluids that are generally non-corrosive, compatibly with the valve materials. Plumbing and heating systems are the ideal field of application. The seat tightness is guaranteed by a EPDM PEROX seal, approved by KTW.

COMPONENTS

POS.	PART NAME	N°	MATERIAL
1	Body	1	CW617N UNI-EN 12165 (1/2"-3/4"-1") - CC754S EN1982 (1.1/4"-1.1/2"-2")
2	Upper part body	1	CW617N UNI-EN 12164 (1/2"-3/4"-1") - CW617N UNI-EN 12165 (1.1/4"-1.1/2"-2")
3	O-Ring	1	KTW approved EPDM Perox
4	Upper part stem	1	CW617N UNI-EN 12164
5	O-Ring	2	KTW approved EPDM Perox
6	Hose-end disc	1	CW617N UNI-EN 12164 (1/2"-3/4"-1") - CW617N UNI-EN 12165 (1.1/4"-1.1/2"-2")
7	Gasket	1	KTW approved EPDM Perox
8	Washer	1	CW508L UNI-EN 1652
9	Nut	1	CW617N UNI-EN 12164
10	Handwheel	1	Plastic
11	Screw	1	CW508L UNI-EN 12166

DIMENSIONS

DN	A	B	C max	D	E max	PN
15	1/2"	66	67	50	81	16
20	3/4"	74	77	50	94	16
25	1"	85	97	55	118	16
32	Rp 1.1/4"	110	130	55	156	16
40	Rp 1.1/2"	120	130	70	160	16
50	Rp 2"	150	169	70	205	16

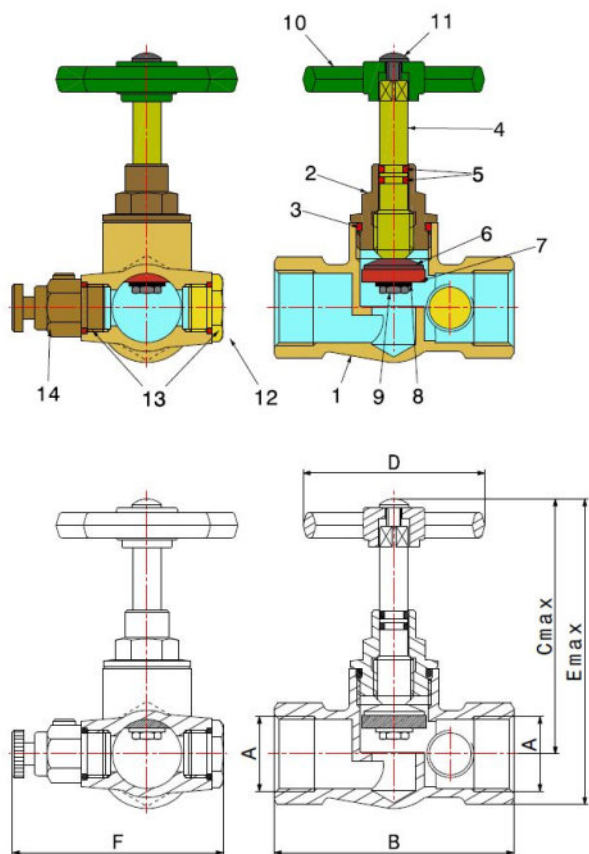
PACKAGING

	1/2"	3/4"	1"	Rp 1.1/4"	Rp 1.1/2"	Rp 2"
CODE	3290A004	3290A006	3290A008	3290A010	3290A011	3290A013
PCS BOX	-	-	-	-	-	-
PCS CARTON	80	50	50	15	10	10

STOP VALVES

STOP VALVE

3300A



- F/F stop valve with drain cock
- Female thread ISO 228 (1/2"-3/4"-1")
- Female Thread EN10226-1 (1.1/4"-1.1/2"-2")
- Temperature range min 0°C- max +95°C

Valve suitable for distributing and interrupting fluids that are generally non-corrosive, compatibly with the valve materials. Plumbing and heating systems are the ideal field of application. The seat tightness is guaranteed by a EPDM PEROX seal, approved by KTW.

COMPONENTS

POS.	PART NAME	N°	MATERIAL
1	Body	1	CW617N UNI-EN 12165 (1/2"-3/4"-1") - CC754S EN1982 (1.1/4"-1.1/2"-2")
2	Upper part body	1	CW617N UNI-EN 12164 (1/2"-3/4"-1") - CW617N UNI-EN 12165 (1.1/4"-1.1/2"-2")
3	O-Ring	1	KTW approved EPDM Perox
4	Upper part stem	1	CW617N UNI-EN 12164
5	O-Ring	2	KTW approved EPDM Perox
6	Hose end disc	1	CW617N UNI-EN 12164 (1/2"-3/4"-1") - CW617N UNI-EN 12165 (1.1/4"-1.1/2"-2")
7	Gasket	1	KTW approved EPDM Perox
8	Washer	1	CW508L UNI-EN 1652
9	Nut	1	CW617N UNI-EN 12164
10	Handwheel	1	Plastic
11	Screw	1	CW508L UNI-EN 12166
12	Plug	1	CW617N UNI-EN 12164
13	O-Ring	2	KTW approved EPDM Perox
14	Vent nozzle	1	CW617N UNI-EN 12164

DIMENSIONS

DN	A	B	C max	D	E max	F	PN
15	1/2"	66	67	50	81	60	16
20	3/4"	74	77	50	94	66	16
25	1"	85	97	55	118	72	16
32	Rp 1.1/4"	110	130	55	156	82	16
40	Rp 1.1/2"	120	130	70	160	94	16
50	Rp 2"	130	130	70	205	103	16

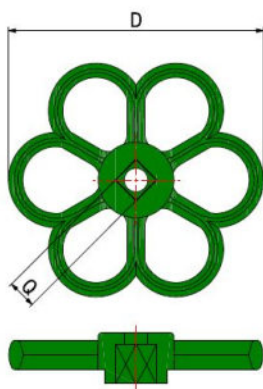
PACKAGING

	1/2"	3/4"	1"	Rp 1.1/4"	Rp 1.1/2"	Rp 2"
CODE	3300A004	3300A006	3300A008	3300A010	3300A011	3300A013
PCS BOX	-	-	-	-	-	-
PCS CARTON	70	50	50	15	10	10

ACCESSORIES

PLASTIC HANDWHEEL

752100V



- Green plastic handwheel

TO USE WITH: 75210004V990

3290A	1/2" - 3/4"
3300A	1/2" - 3/4"
7480	1/2"
7485	1/2"
7490	1/2" - 3/4"
7495	1/2" - 3/4"
7520A	1/2" - 3/4"
7530A	1/2" - 3/4"
7535	15 - 18 - 22
7560	15 - 18 - 22

TO USE WITH: 75210008V990

3290A	1" - 1.1/4"
3300A	1" - 1.1/4"
7480	3/4" - 1"
7485	3/4" - 1"
7490	1"
7495	1"
7520A	1" - 1.1/4"
7530A	1" - 1.1/4"
7535	28 - 35
7560	28 - 35

TO USE WITH: 75210011V990

3290	1.1/2" - 2"
3300	1.1/2" - 2"
7480	1.1/4" - 1.1/2" - 2"
7485	1.1/4" - 1.1/2" - 2"
7490	1.1/4" - 1.1/2" - 2"
7495	1.1/4" - 1.1/2" - 2"
7520	1.1/2" - 2"
7530	1.1/2" - 2"

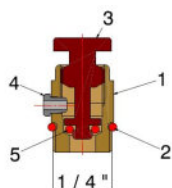
DIMENSIONS

	D=50 Q=6	D=55 Q=7	D=70 Q=8
CODE	75210004V990	75210008V990	75210011V990

ACCESSORIES

DRAIN COCK

3991A0



- Drain cock with O-Ring
- Finishing yellow
- Maximum pressure PN16

COMPONENTS

POS.	PART NAME	N°	MATERIAL
1	Relief valve body	1	CW617N UNI-EN 12164
2	Body O-Ring	1	EPDM Perox
3	Screw	1	CW617N UNI-EN 12164
4	Nozzle vent	1	CW617N UNI-EN 12164
5	Screw O-Ring	1	EPDM Perox

TO USE WITH: 3991A002

3300A	1/2" - 3/4" - 1" - 1.1/4" - 1.1/2" - 2"
7485	1/2" - 3/4" - 1" - 1.1/4" - 1.1/2" - 2"
7495	1/2" - 3/4" - 1" - 1.1/4" - 1.1/2" - 2"
7535	15 - 18 - 22 - 28 - 35
7530A	1/2" - 2"

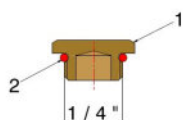
PACKAGING

	1/4"
CODE	3991A002
PCS BOX	-
PCS CARTON	1000

ACCESSORIES

CAP

3300A0XA



- Cap with O-Ring
- Finishing yellow

COMPONENTS

POS.	PART NAME	N°	MATERIAL
1	Body	1	CW617N UNI-EN 12164
2	Gasket O-Ring	1	EPDM Perox

TO USE WITH: 3300A002XA

3300A	1/2" - 3/4" - 1" - 1.1/4" - 1.1/2" - 2"
7485	1/2" - 3/4" - 1" - 1.1/4" - 1.1/2" - 2"
7495	1/2" - 3/4" - 1" - 1.1/4" - 1.1/2" - 2"
7535	15 - 18 - 22 - 28 - 35
7530A	1/2" - 2"

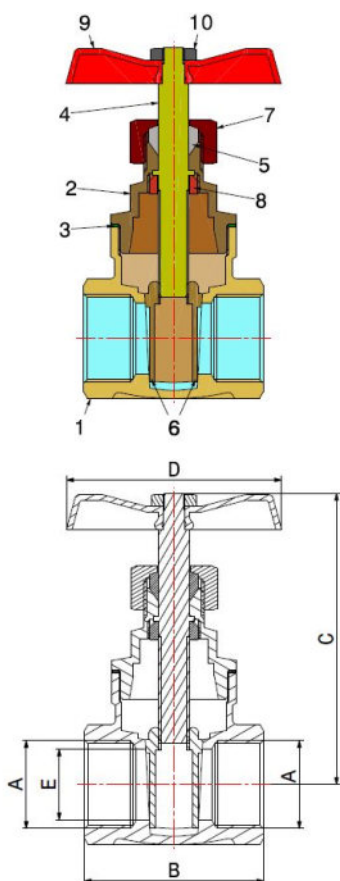
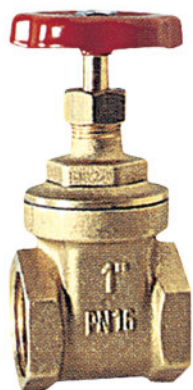
DIMENSIONS

	1/4"
CODE	3300A002XA

GATE VALVES

BRASS GATE VALVE

5240



- Brass gate valve heavy model
- Thread ISO 228
- Temperature range max 80°C

Valve suitable for distributing and interrupting fluids that are generally non-corrosive, compatibly with the valve materials. Plumbing, heating, industrial and agricultural sectors are the ideal fields of application.

The seat tightness is guaranteed by a metal-to-metal seal.

COMPONENTS

POS.	PART NAME	N°	MATERIAL
1	Body	1	CW617 UNI-EN 12165 (until 2") - C EN1982 CB 754S (from 2.1/2" a 4")
2	Upper part	1	CW617 UNI-EN 12164
3	Gasket	1	Guarnital fiber
4	Stem	1	CW617N UNI-EN 12164
5	Gasket	1	Dutral EPDM 90
6	Disc	2	C EN1982 CB 754S
7	Gland	1	CW617N UNI-EN 12164
8	Ring nut	1	CW617N UNI-EN 12164
9	Handwheel	1	Red epoxy-resin plasticized steel
10	Nut	1	Galvanised steel

DIMENSIONS

DN	A	B	C	D	E	PN
8	1/4"	33	67	45	11	16
10	3/8"	33	67	45	13	16
15	1/2"	38	68	45	15	16
20	3/4"	44	78	50	19	16
25	1"	48	91	55	24	16
32	1.1/4"	51	108	60	32	16
40	1.1/2"	58	125	70	37	16
50	2"	63	143	80	47	16
65	2.1/2"	64	175	100	60	16
80	3"	74	200	100	72	16
100	4"	84	235	120	93	16

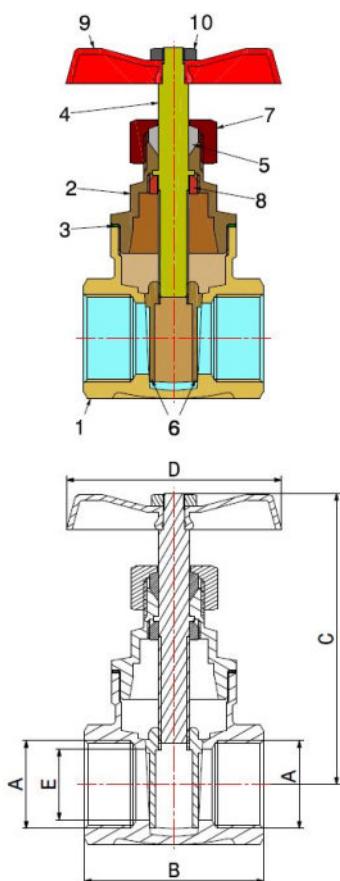
PACKAGING

	1/4"	3/8"	1/2"	3/4"	1"	1.1/4"	1.1/2"	2"	2.1/2"	3"	4"
CODE	52400002	52400003	52400004	52400006	52400008	52400010	52400011	52400013	52400015	52400017	52400019
PCS BOX	20	20	20	20	10	10	5	5	-	-	-
PCS CARTON	200	180	160	160	70	50	35	25	18	12	6

GATE VALVES

BRASS GATE VALVE

5230



- Brass gate valve light model
- Thread ISO 228
- Temperature range max 80°C

Valve suitable for distributing and interrupting fluids that are generally non-corrosive, compatibly with the valve materials. Plumbing, heating, industrial and agricultural sectors are the ideal fields of application.

The seat tightness is guaranteed by a metal-to-metal seal.

COMPONENTS

POS.	PART NAME	N°	MATERIAL
1	Body	1	CW617N UNI-EN 12165 (until 2") - C EN1982 CB754S (from 2.1" to 4")
2	Upper part	1	CW617N UNI-EN 12164
3	Gasket	1	Guarnital fiber
4	Stem	1	CW617N UNI-EN 12164
5	Gasket	1	Dutral EPDM 90
6	Disc	2	C EN1982 CB 754S
7	Gland	1	CW617N UNI-EN 12164
8	Ring nut	1	CW617N UNI-EN 12164
9	Handwheel	1	Red epoxy-resin plasticized steel
10	Nut	1	Galvanised iron

DIMENSIONS

DN	A	B	C	D	E	PN
10	3/8"	33	67	45	13	16
15	1/2"	38	68	45	15	16
20	3/4"	44	78	50	19	16
25	1"	48	91	55	24	16
32	1.1/4"	51	108	60	32	16
40	1.1/2"	58	125	70	37	16
50	2"	63	143	80	47	16
65	2.1/2"	64	175	100	60	16
80	3"	74	200	100	72	16
100	4"	84	235	120	93	16

PACKAGING

	3/8"	1/2"	3/4"	1"	1.1/4"	1.1/2"	2"	2.1/2"	3"	4"
CODE	52300003	52300004	52300006	52300008	52300010	52300011	52300013	52300015	52300017	52300019
PCS BOX	20	20	20	20	10	5	5	-	-	-
PCS CARTON	160	160	160	100	70	50	35	20	16	10

SWING CHECK VALVES

BRASS SWING CHECK VALVE RUBBER SEAT

700020

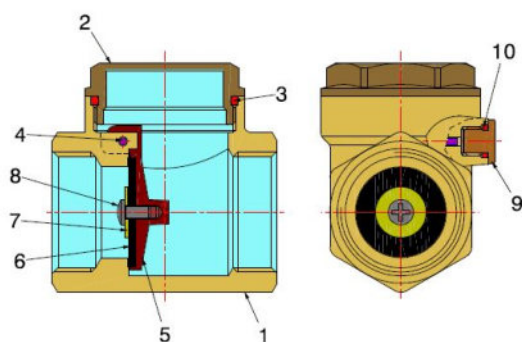


- F/F brass swing check valve with rubber seat
- Female/Female thread ISO 228
- Temperature range min 0°C - max +80°C

Valve properly used when it performs a non-return function for fluids that are generally non-corrosive, compatibly with the valve materials. Plumbing, heating, industrial, agricultural and pneumatic sectors are the ideal fields of application.

The flow direction is indicated by an arrow on the valve body, while the installation can be in horizontal or vertical position.

The seat tightness is guaranteed by a NBR seal.

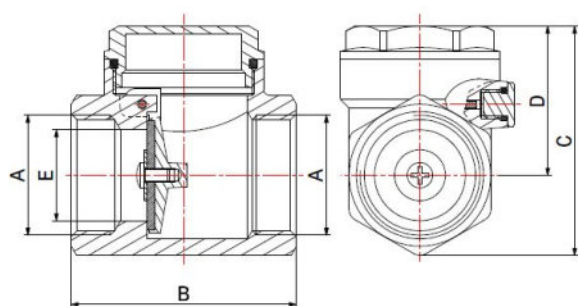


COMPONENTS

POS.	PART NAME	N°	MATERIAL
1	Body	1	CW617N UNI-EN 12165
2	Cap	1	CW617N UNI-EN 12164 (for 1/2") - CW617N UNI-EN 12165 (from 3/4" to 4")
3	O-Ring	1	NBR
4	Pin	1	CW617N UNI-EN 12164
5	Clapet	1	CW617N UNI-EN 12165
6	Gasket	1	NBR
7	Washer	1	CW508L UNI-EN 1652 (not for 1/2" and 3/4")
8	Screw	1	CW508L UNI-EN 12166
9	M8 cap	1	CW617N UNI-EN 12164
10	O-Ring	1	NBR

DIMENSIONS

DN	A	B	C	D	E	PN
10	3/8"	43	46	25	13	10
15	1/2"	44	46	32	13	10
20	3/4"	52	55	37	17	10
25	1"	62	63	41	25	10
32	1.1/4"	72	76	49	30	8
40	1.1/2"	80	85	54	35	8
50	2"	93	100	60	45	8
65	2.1/2"	118	107	65	55	6
80	3"	135	130	85	70	6
100	4"	164	159	109	90	6



PACKAGING

	3/8"	1/2"	3/4"	1"	1.1/4"	1.1/2"	2"	2.1/2"	3"	4"
CODE	70002003	70002004	70002006	70002008	70002010	70002011	70002013	70002015	70002017	70002019
PCS BOX	-	-	-	-	-	-	-	-	-	-
PCS CARTON	150	150	100	50	30	20	18	20	16	4

SWING CHECK VALVES

BRASS SWING CHECK VALVE METAL SEAT

700021

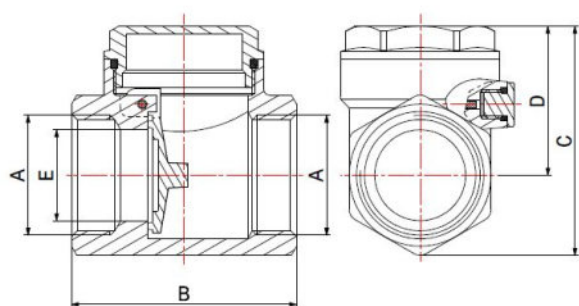
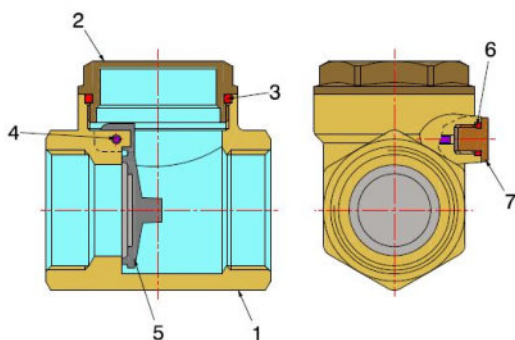


- F/F brass swing check valve with metal seat
- Female/Female thread ISO 228
- Temperature range min 0°C - max +80°C

Valve properly used when it performs a non-return function for fluids that are generally non-corrosive, compatibly with the valve materials. Plumbing, heating, industrial, agricultural and pneumatic sectors are the ideal fields of application.

The flow direction is indicated by an arrow on the valve body, while the installation can be in horizontal or vertical position.

The seat tightness is guaranteed by a metal-to-metal seal.



COMPONENTS

POS.	PART NAME	N°	MATERIAL
1	Body	1	CW617N UNI-EN 12165
2	Cap	1	CW617N UNI-EN 12164 (for 1/2") - CW617N UNI-EN 12165 (from 3/4" to 4")
3	O-Ring	1	NBR
4	Pin	1	CW617N UNI-EN 12164
5	Clapet	1	CW617N UNI-EN 12165
6	M8 Plug	1	CW617N UNI-EN 12164
7	O-Ring	1	NBR

DIMENSIONS

DN	A	B	C	D	E	PN
10	3/8"	43	46	25	13	10
15	1/2"	44	46	32	13	10
20	3/4"	52	55	37	17	10
25	1"	62	63	41	25	10
32	1.1/4"	72	76	49	30	8
40	1.1/2"	80	85	54	35	8
50	2"	93	100	60	45	8
65	2.1/2"	118	107	65	55	6
80	3"	135	130	85	70	6
100	4"	164	159	109	90	6

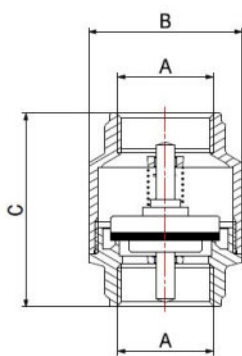
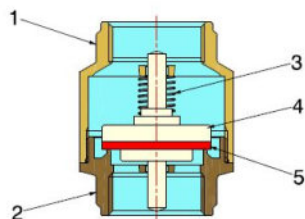
PACKAGING

	3/8"	1/2"	3/4"	1"	1.1/4"	1.1/2"	2"	2.1/2"	3"	4"
CODE	70002103	70002104	70002106	70002108	70002110	70002111	70002113	70002115	70002117	70002119
PCS BOX	-	-	-	-	-	-	-	-	-	-
PCS CARTON	150	150	100	50	30	20	18	20	16	4

CHECK VALVES

LOIRA

1010



- Loira check valve
- Female thread ISO 228
- Temperature range min 0°C - max +90°C

Valve properly used when it performs a non-return function for fluids that are generally non-corrosive, compatibly with the valve materials. Plumbing, heating, industrial, agricultural and pneumatic sectors are the ideal fields of application.

The flow direction is indicated by an arrow on the valve body, while the installation can be in any position.

The seat tightness is guaranteed by a NBR seal.



COMPONENTS

POS.	PART NAME	N°	MATERIAL
1	Body	1	CW617N UNI-EN 12165
2	End connection	1	CW617N UNI-EN 12165
3	Spring	1	AISI 302 stainless steel
4	Valve	1	Nylon
5	Gasket	1	NBR

DIMENSIONS

DN	A	B	C	PN
10	3/8"	34	49	12
15	1/2"	34	49	12
20	3/4"	42	54	12
25	1"	48	59	12
32	1.1/4"	60	67	10
40	1.1/2"	69	72	10
50	2"	95	77	10
65	2.1/2"	102	98	8
80	3"	125	103	8
100	4"	154	119	8

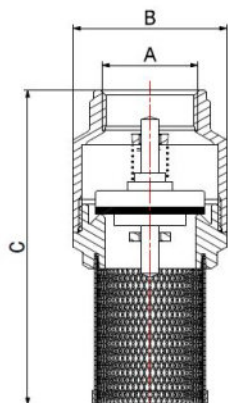
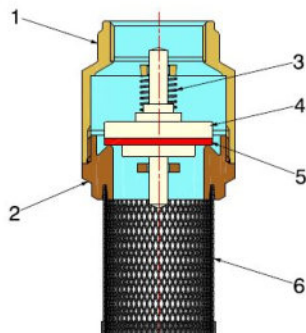
PACKAGING

	3/8"	1/2"	3/4"	1"	1.1/4"	1.1/2"	2"	2.1/2"	3"	4"
CODE	10100003	10100004	10100006	10100008	10100010	10100011	10100013	10100015	10100017	10100019
PCS BOX	25	25	20	12	6	5	3	-	-	-
PCS CARTON	250	250	200	120	72	50	30	20	15	12

CHECK VALVES

LOIRA WITH STRAINER

1030



- Loira check valve with strainer
- Female thread ISO 228
- Strainer with hole of 1200 micron
- Temperature range min 0°C - max +90°C

Valve properly used when it performs a non-return function for fluids that are generally non-corrosive, compatibly with the valve materials. Plumbing, heating, industrial, agricultural and pneumatic sectors are the ideal fields of application.

The flow direction is indicated by an arrow on the valve body, while the installation can be in any position.

The seat tightness is guaranteed by a NBR seal.



COMPONENTS

POS.	PART NAME	N°	MATERIAL
1	Body	1	CW617N UNI-EN 12165
2	End connection	1	Nylon
3	Spring	1	AISI 302 stainless steel
4	Valve	1	Nylon
5	Gasket	1	NBR
6	Filter	1	AISI 304 stainless steel

DIMENSIONS

DN	A	B	C	PN
10	3/8"	34	70	10
15	1/2"	34	81	10
20	3/4"	42	87	10
25	1"	48	97	10
32	1.1/4"	60	110	8
40	1.1/2"	69	125	8
50	2"	85	145	8
65	2.1/2"	102	165	6
80	3"	125	185	6
100	4"	154	215	6

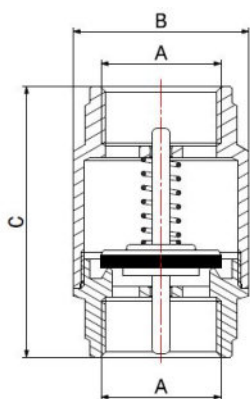
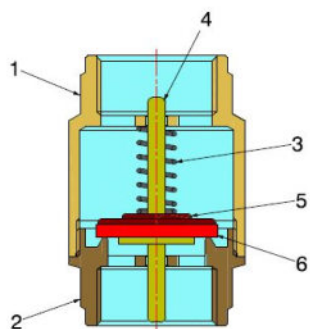
PACKAGING

	3/8"	1/2"	3/4"	1"	1.1/4"	1.1/2"	2"	2.1/2"	3"	4"
CODE	10300003	10300004	10300006	10300008	10300010	10300011	10300013	10300015	10300017	10300019
PCS BOX	25	25	15	12	6	4	2	-	-	-
PCS CARTON	250	250	150	120	60	40	20	20	15	10

CHECK VALVES

EUROPA

1000



- Europa check valve
- Female thread ISO 228
- Temperature range min - 20°C - max + 100°C

Valve properly used when it performs a non-return function for fluids that are generally non-corrosive, compatibly with the valve materials. Plumbing, heating, industrial, agricultural and pneumatic sectors are the ideal fields of application.

The flow direction is indicated by an arrow on the valve body, while the installation can be in any position.

The seat tightness is guaranteed by a NBR seal.

COMPONENTS

POS.	PART NAME	N°	MATERIAL
1	Body	1	CW617N UNI-EN 12165
2	End connection	1	Nylon
3	Spring	1	AISI 302 stainless steel
4	Guide pin	1	CW617N UNI-EN 12164
5	Plate	1	AISI 304 stainless steel
6	Gasket	1	NBR

DIMENSIONS

DN	A	B	C	PN
10	3/8"	35	55	25
15	1/2"	35	59	25
20	3/4"	42	65	25
25	1"	48	75	25
32	1.1/4"	61	83	18
40	1.1/2"	71	93	18
50	2"	87	101	18
65	2.1/2"	120	122	12
80	3"	140	142	12
100	4"	173	159	12

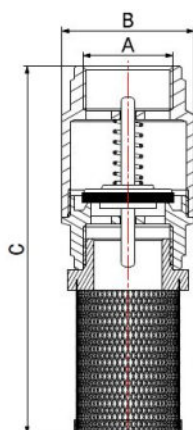
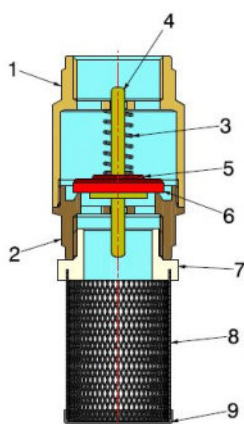
PACKAGING

	3/8"	1/2"	3/4"	1"	1.1/4"	1.1/2"	2"	2.1/2"	3"	4"
CODE	10000003	10000004	10000006	10000008	10000010	10000011	10000013	10000015	10000017	10000019
PCS BOX	10	10	8	6	4	4	2	-	-	-
PCS CARTON	130	120	88	54	36	28	18	6	4	2

CHECK VALVES

EUROPA WITH STRAINER

1020



- Europa check valve with strainer
- Female thread ISO 228
- Strainer with hole: from 3/8" to 2" 1200 micron
- Strainer with hole: from 2.1/2" to 4" 2000 micron
- Temperature range min - 20°C - max + 100°C

Valve properly used when it performs a non-return function for fluids that are generally non-corrosive, compatibly with the valve materials. Plumbing, heating, industrial, agricultural and pneumatic sectors are the ideal fields of application.

The flow direction is indicated by an arrow on the valve body, while the installation can be in any position.

The seat tightness is guaranteed by a NBR seal.

COMPONENTS

POS.	PART NAME	N°	MATERIAL
1	Body	1	CW617N UNI-EN 12165
2	End connection	1	Nylon
3	Spring	1	AISI 302 stainless steel
4	Guide pin	1	CW617N UNI-EN 12164
5	Shutter	1	AISI 304 stainless steel
6	Gasket	1	NBR
7	Filter connection	1	Nylon
8	Filter	1	AISI 304 stainless steel
9	Disk	1	AISI 304 stainless steel

DIMENSIONS

DN	A	B	C	PN
10	3/8"	35	90	25
15	1/2"	35	98	25
20	3/4"	42	114	25
25	1"	48	133	25
32	1.1/4"	61	147	18
40	1.1/2"	71	165	18
50	2"	87	187	18
65	2.1/2"	120	230	12
80	3"	140	265	12
100	4"	173	296	12

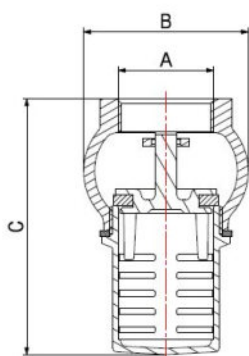
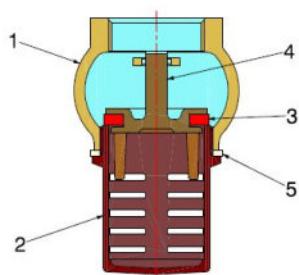
PACKAGING

	3/8"	1/2"	3/4"	1"	1.1/4"	1.1/2"	2"	2.1/2"	3"	4"
CODE	10200003	10200004	10200006	10200008	10200010	10200011	10200013	10200015	10200017	10200019
PCS BOX	8	8	6	4	4	2	2	-	-	-
PCS CARTON	112	112	84	44	24	14	12	6	3	1

CHECK VALVES

FOOT VALVE

7050



- Foot valve
- Female thread ISO 228
- Temperature range min 0°C - max +60°C

Valve properly used in draught systems where it performs a non-return function for fluids that are generally non-corrosive, compatibly with the valve materials.

Plumbing, heating, industrial and agricultural sectors are the ideal fields of application.

The seat tightness is guaranteed by a NBR seal.

It can be only installed vertically with the strainer pointing downwards.

COMPONENTS

POS.	PART NAME	N°	MATERIAL
1	Body	1	CW617N UNI-EN 12165
2	Filter	1	Brass UNI-EN 1982-CB753S
3	Filter gasket	1	Fiber
4	Shutter	1	CW617N UNI-EN 12165
5	Seal gasket	1	NBR

DIMENSIONS

DN	A	B	C	PN
15	1/2"	39	61	10
20	3/4"	45	70	10
25	1"	51	82	10
32	1.1/4"	61	95	8
40	1.1/2"	69	103	8
50	2"	80	121	8
65	2.1/2"	100	140	6
80	3"	121	175	6
100	4"	141	195	6

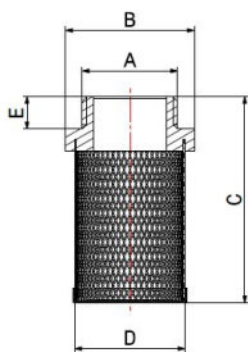
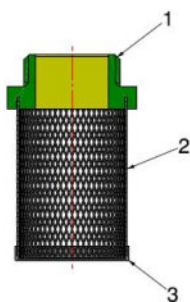
PACKAGING

	1/2"	3/4"	1"	1.1/4"	1.1/2"	2"	2.1/2"	3"	4"
CODE	70500004	70500006	70500008	70500010	70500011	70500013	70500015	70500017	70500019
PCS BOX	-	-	-	-	-	-	-	-	-
PCS CARTON	150	100	60	60	50	30	25	20	9

CHECK VALVES

CHECK VALVE STRAINER

1920



- Check valves strainer
- Male thread ISO 228

COMPONENTS

POS.	PART NAME	N°	MATERIAL
1	Filter connection	1	Nylon
2	Filter	1	AISI 304 stainless steel
3	Disk	1	AISI 304 stainless steel

DIMENSIONS

DN	A	B	C	D	E
10	3/8"	22	48	18,5	7
15	1/2"	26	50	22	8
20	3/4"	32	57	28	9
25	1"	40	59	36	10
32	1.1/4"	49	68	43	11
40	1.1/2"	55	78	48,5	11
50	2"	68	90	60,5	12
65	2.1/2"	85,5	97	79	13
80	3"	97,5	111	92,5	14
100	4"	121	128	115	14

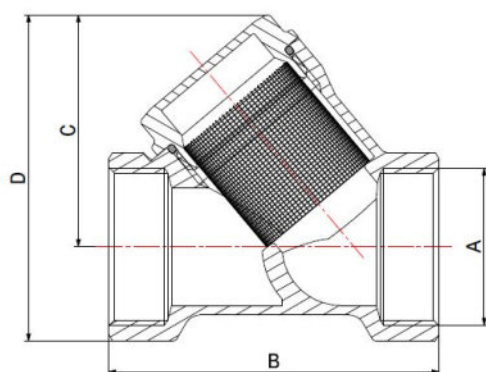
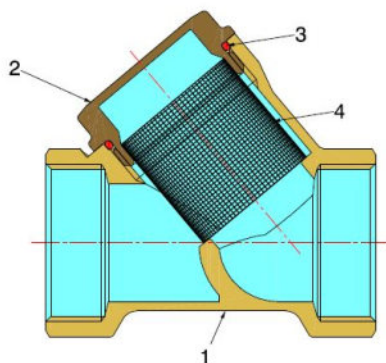
PACKAGING

	3/8"	1/2"	3/4"	1"	1.1/4"	1.1/2"	2"	2.1/2"	3"	4"
CODE	19200003	19200004	19200006	19200008	19200010	19200011	19200013	19200015	19200017	19200019
PCS BOX	50	40	20	15	10	10	5	-	-	-
PCS CARTON	300	300	200	150	100	100	50	50	40	30

STRAINERS

BRASS Y STRAINER

1905



- F/F brass Y strainer
- Female/Female thread ISO 228
- Strainer with 350 micron hole - 50 Mesh
- Temperature range min 0°C - max +95°C

Valve properly used when it performs a filtration function for fluids that are generally non-corrosive, compatibly with the valve materials. Plumbing, heating, industrial, agricultural and pneumatic sectors are the ideal fields of application.

The flow direction is indicated by an arrow on the valve body, while the installation can be in horizontal or vertical position.

The seat tightness is guaranteed by a NBR seal.

COMPONENTS

POS.	PART NAME	N°	MATERIAL
1	Body	1	CW617N UNI-EN 12165
2	Plug	1	CW617N UNI-EN 12164 (for 3/8" and 1/2") - CW617N UNI-EN 12165 (3/4" to 2")
3	Plug gasket	1	NBR
4	Filter	1	AISI 304 stainless steel

DIMENSIONS

DN	A	B	C	D	PN
10	3/8"	57	34	48	16
15	1/2"	57	34	48	16
20	3/4"	66	41	58	16
25	1"	80	51	73	16
32	1.1/4"	92	62	88	16
40	1.1/2"	101	69	98	16
50	2"	121	86	121	16

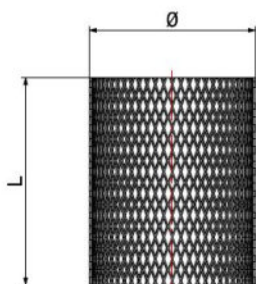
PACKAGING

	3/8"	1/2"	3/4"	1"	1.1/4"	1.1/2"	2"
CODE	19050003	19050004	19050006	19050008	19050010	19050011	19050013
PCS BOX	15	15	10	5	-	-	-
PCS CARTON	150	150	100	50	25	20	10

ACCESSORIES

BRASS STRAINER SPARE

1905



- Stainless steel 350 micron - 50 mesh strainer cartridge for brass Y valves
- On request strainers with 200 micron

TO USE WITH: 19050004X390

1905	3/8" - 1/2"
------	-------------

TO USE WITH: 19050006X390

1905	3/4"
------	------

TO USE WITH: 19050008X390

1905	1"
------	----

TO USE WITH: 19050010X390

1905	1.1/4"
------	--------

TO USE WITH: 19050011X390

1905	1.1/2"
------	--------

TO USE WITH: 19050013X390

1905	2"
------	----

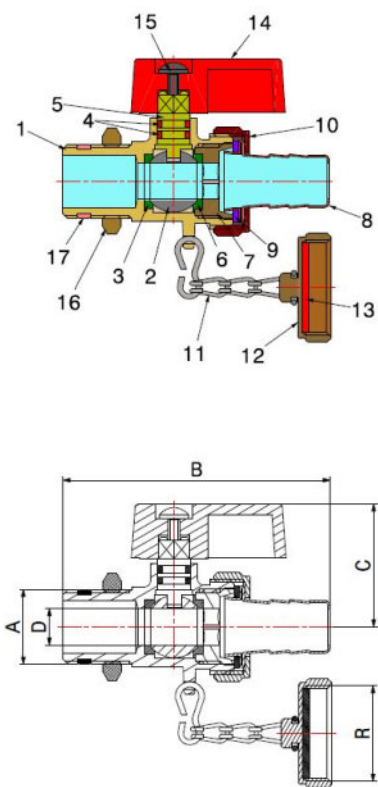
DIMENSIONS

	Ø=15 L=17	Ø=21 L=22	Ø=28 L=27	Ø=34 L=34	Ø=41 L=41	Ø=51 L=49
CODE	19050004X390	19050006X390	19050008X390	19050010X390	19050011X390	19050013X390

BOILER DRAIN VALVES

BOILER DRAIN VALVE

7759



- 1/2" boiler drain valve with lever
- Finishing nickel-plated
- Thread ISO 228
- Temperature range min 0°C - max +90°C

Valve suitable for interrupting fluids that are generally non-corrosive, compatibly with the valve materials.

Plumbing and heating systems are the ideal fields of application, where this valve is used to unload heat transfer fluids from the heating system.

It's a reduced bore valve and the ball seal is guaranteed by two PTFE seats.

The operating mechanism seal features two O-Rings with an internally installed stem and anti-ejection system.

It is advisable to carry out a complete maneuver cycle at least once every three months in order to prevent limescale deposits that could compromise the valve functioning.

COMPONENTS

POS.	PART NAME	N°	MATERIAL
1	Body	1	CW617N UNI-EN 12165 nickel-plated
2	Ball	1	CW617N UNI-EN 12164 chrome-plated
3	Seal	1	PTFE
4	O-Ring	2	NBR
5	Stem	1	CW617N UNI-EN 12164
6	Shaped retaining ring	1	PTFE
7	Ring	1	CW617N UNI-EN 12164 nickel-plated
8	Hose connection	1	CW508L UNI-EN 1652 nickel-plated
9	Pipe gasket	1	SBR
10	Fly nut	1	CW617N UNI-EN 12165 nickel-plated
11	Chain	1	Brassed iron
12	Cap	1	CW617N UNI-EN 12165 nickel plated
13	Cap gasket	1	SBR
14	Handle	1	Plastic
15	Screw	1	Steel
16	Nut	1	CW617N UNI-EN 12164 nickel-plated
17	Gasket	1	PTFE

DIMENSIONS

DN	A	B	C	D	R	PN
15	1/2"	75	33	10	3/4"	25

PACKAGING

	1/2"
CODE	77591104
PCS BOX	1
PCS CARTON	150

BOILER DRAIN VALVES

BOILER DRAIN VALVE

7756



- 1/2" boiler drain valve with operating key in cap
- Finishing sandblasted yellow
- Thread ISO 228
- Temperature range min 0°C - max +90°C

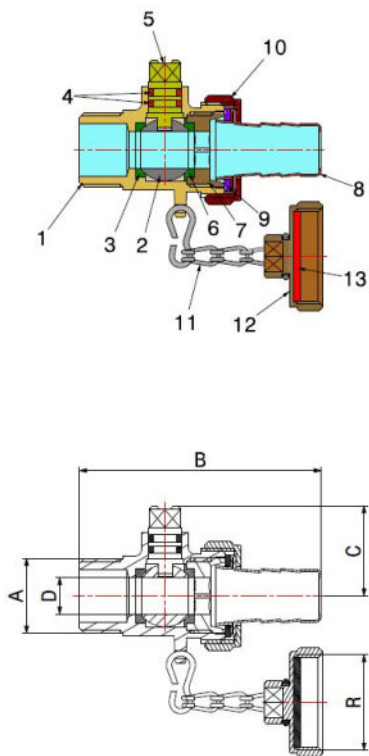
Valve suitable for interrupting fluids that are generally non-corrosive, compatibly with the valve materials.

Plumbing and heating systems are the ideal fields of application, where this valve is used to unload heat transfer fluids from the heating system.

It's a reduced bore valve and the ball seal is guaranteed by two PTFE seats.

The operating mechanism seal features two O-Rings with an internally installed stem and anti-ejection system.

It is advisable to carry out a complete maneuver cycle at least once every three months in order to prevent limescale deposits that could compromise the valve functioning.



COMPONENTS

POS.	PART NAME	N°	MATERIAL
1	Body	1	CW617N UNI-EN 12165
2	Ball	1	CW617N UNI-EN 12164 chrome-plated
3	Seal	1	PTFE
4	O-Ring	2	EPDM Perox
5	Stem	1	CW617N UNI-EN 12164
6	Shaped retaining ring	1	PTFE
7	Nut ring	1	CW617N UNI-EN 12164
8	Hose connection	1	CW508L UNI-EN 1652
9	Pipe gasket	1	SBR
10	Swiveling nut	1	CW617N UNI-EN 12165
11	Chain	1	Brassed iron
12	Plug	1	CW617N UNI-EN 12165
13	Plug gasket	1	SBR

DIMENSIONS

DN	A	B	C	D	R	PN
15	1/2"	67	25	10	3/4"	25

PACKAGING

	1/2"
CODE	77560004
PCS BOX	1
PCS CARTON	150

BOILER DRAIN VALVES

BOILER DRAIN VALVE

776200



- M/F boiler drain valve with operating key in cap
- Finishing nickel-plated
- Thread ISO 228
- Temperature range min-10°C - max +120°C



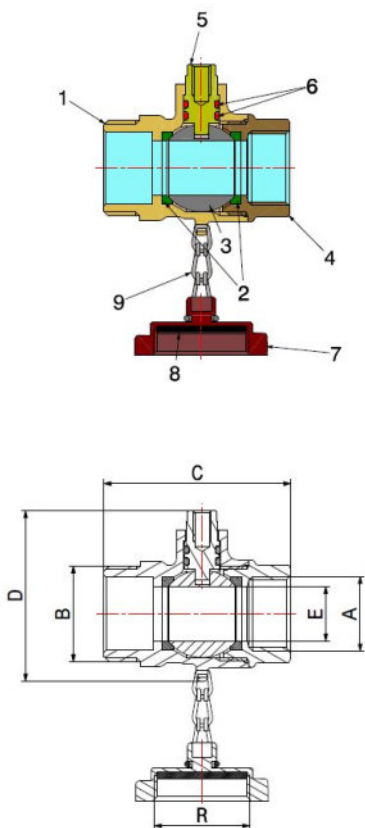
Valve suitable for interrupting fluids that are generally non-corrosive, compatibly with the valve materials.

Plumbing and heating systems are the ideal fields of application, where this valve is used to unload heat transfer fluids from the heating system.

It's a reduced bore valve and the ball seal is guaranteed by two PTFE seats.

The operating mechanism seal features two O-Rings with an internally installed stem and anti-ejection system.

It is advisable to carry out a complete maneuver cycle at least once every three months in order to prevent limescale deposits that could compromise the valve functioning.



COMPONENTS

POS:	PART NAME	N°	MATERIAL
1	Body	1	CW617N UNI-EN 12165 nickel-plated
2	Seal	2	PTFE
3	Ball	1	CW617N UNI-EN 12164 chrome-plated
4	End connection	1	CW617N UNI-EN 12165 nickel-plated
5	Stem	1	CW617N UNI-EN 12164
6	O-Ring	2	EPDM 70 Perox
7	Gasket	1	SBR
8	Plug	1	CW617N UNI-EN 121645 nickel-plated
9	Chain	1	Iron

DIMENSIONS

DN	A	B	C	D	E	R	PM
15	1/2"	3/4"	51	46	15	3/4"	40

PACKAGING

CODE	77620004
PCS BOX	10
PCS CARTON	100

BOILER DRAIN VALVES

BOILER DRAIN VALVE

776201



- M/F boiler drain valve with iron lever
- Finishing nickel-plated
- Thread ISO 228
- Temperature range min-10°C - max +120°C



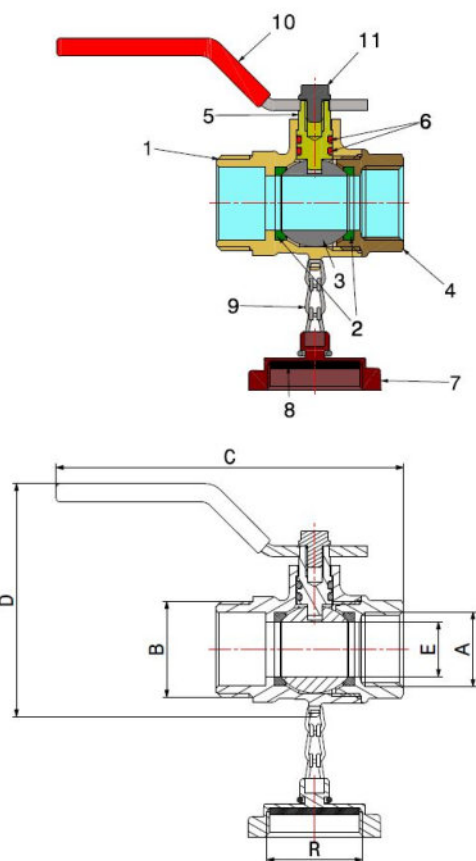
Valve suitable for interrupting fluids that are generally non-corrosive, compatibly with the valve materials.

Plumbing and heating systems are the ideal fields of application, where this valve is used to unload heat transfer fluids from the heating system.

It's a reduced bore valve and the ball seal is guaranteed by two PTFE seats.

The operating mechanism seal features two O-Rings with an internally installed stem and anti-ejection system.

It is advisable to carry out a complete maneuver cycle at least once every three months in order to prevent limescale deposits that could compromise the valve functioning.



COMPONENTS

POS.	PART NAME	N°	MATERIAL
1	Body	1	CW617N UNI-EN 12165 nickel-plated
2	Seal	2	PTFE
3	Ball	1	CW617N UNI-EN 12164 chrome-plated
4	End connection	1	CW617N UNI-EN 12165 nickel-plated
5	Stem	1	CW617N UNI-EN 12164
6	O-Ring	2	EPDM 70 Perox
7	Plug	1	CW617N UNI-EN 12165 nickel-plated
8	Gasket	1	SBR
9	Chain	1	Iron
10	Lever	1	Galvanised iron and PVC coated
11	Screw	1	Galvanised iron

DIMENSIONS

DN	A	B	C	D	E	R	PN
15	1/2"	3/4"	51	46	15	3/4"	40

PACKAGING

CODE	77620104R
PCS BOX	10
PCS CARTON	100

BOILER DRAIN VALVES

BOILER DRAIN VALVE

776300



- M/M boiler drain valve with operating key in cap
- Finishing nickel-plated
- Thread ISO 228
- Temperature range min-10°C - max +120°C

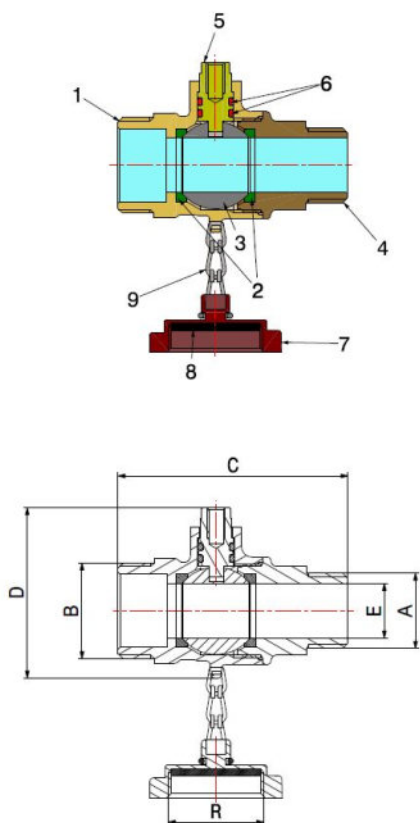


Valve suitable for interrupting fluids that are generally non-corrosive, compatibly with the valve materials. Plumbing and heating systems are the ideal fields of application, where this valve is used to unload heat transfer fluids from the heating system.

It's a reduced bore valve and the ball seal is guaranteed by two PTFE seats.

The operating mechanism seal features two O-Rings with an internally installed stem and anti-ejection system.

It is advisable to carry out a complete maneuver cycle at least once every three months in order to prevent limescale deposits that could compromise the valve functioning.



COMPONENTS

POS.	PART NAME	N°	MATERIAL
1	Body	1	CW617N UNI-EN 12165 nickel-plated
2	Seal	2	PTFE
3	Ball	1	CW617N UNI-EN 12164 chrome-plated
4	End connection	1	CW617N UNI-EN 12165 nickel-plated
5	Stem	1	CW617N UNI-EN 12164
6	O-Ring	2	EPDM 70 Perox
7	Plug	1	CW617N UNI-EN 12165 nickel-plated
8	Gasket	1	SBR
9	Chain	1	Iron

DIMENSIONS

DN	A	B	C	D	E	R	PN
15	1/2"	3/4"	63	46	15	3/4"	40

PACKAGING

CODE	77630004
PCS BOX	10
PCS CARTON	100

BOILER DRAIN VALVES

BOILER DRAIN VALVE

776301



- M/M boiler drain ball valve with iron lever
- Finishing nickel-plated
- Thread ISO 228
- Temperature range min-10°C - max +120°C



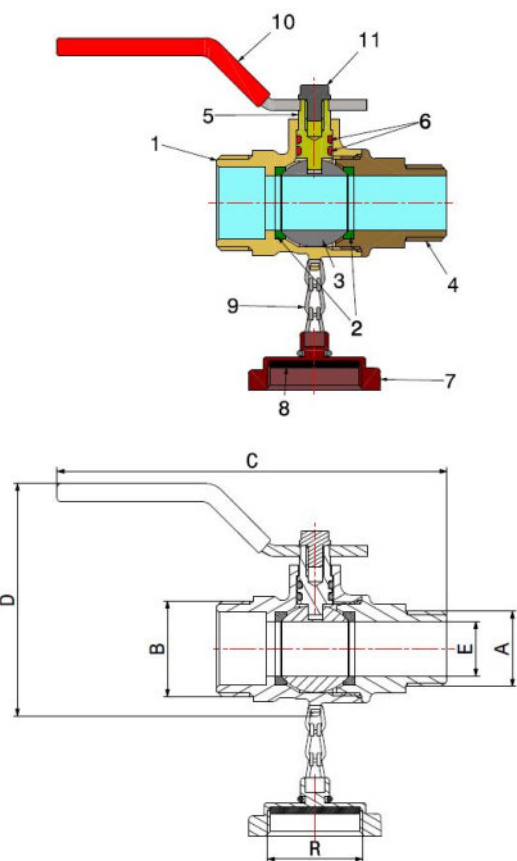
Valve suitable for interrupting fluids that are generally non-corrosive, compatibly with the valve materials.

Plumbing and heating systems are the ideal fields of application, where this valve is used to unload heat transfer fluids from the heating system.

It's a reduced bore valve and the ball seal is guaranteed by two PTFE seats.

The operating mechanism seal features two O-Rings with an internally installed stem and anti-ejection system.

It is advisable to carry out a complete maneuver cycle at least once every three months in order to prevent limescale deposits that could compromise the valve functioning.



COMPONENTS

POS.	PART NAME	N°	MATERIAL
1	Body	1	CW617N UNI-EN 12165 nickel-plated
2	Seal	2	PTFE
3	Ball	1	CW617N UNI-EN 12164 chrome-plated
4	End connection	1	CW617N UNI-EN 12165 nickel-plated
5	Stem	1	CW617N UNI-EN 12164
6	O-Ring	2	EPDM 70 Perox
7	Plug	1	CW617N UNI-EN 12165 nickel-plated
8	Gasket	1	SBR
9	Chain	1	Iron
10	Lever	1	Galvanised iron and PVC coated
11	Screw	1	Galvanised iron

DIMENSIONS

DN	A	B	C	D	E	R	PN
15	1/2"	3/4"	107	64	15	3/4"	40

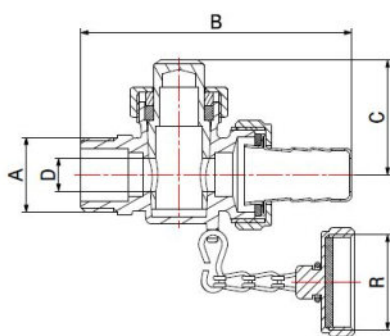
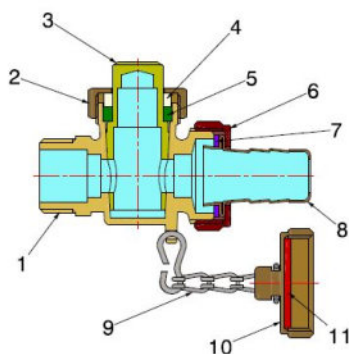
PACKAGING

CODE	77630104R
PCS BOX	10
PCS CARTON	100

BOILER DRAIN VALVES

MALE TAPERED BOILER DRAIN VALVE

3960



- Male tapered boiler drain valve with fly nut, pipe and cap
- Finishing sandblasted yellow
- Thread ISO 228
- Temperature range min-10°C - max +120°C

Valve suitable for interrupting fluids that are generally non-corrosive, compatibly with the valve materials.

Plumbing and heating systems are the ideal fields of application, where this valve is used to discharge heat transfer fluids from the heating system.

COMPONENTS

POS.	PART NAME	N°	MATERIAL
1	Body	1	CW617N UNI-EN 12165
2	Nut	1	CW617N UNI-EN 12165
3	Cone	1	CW617N UNI-EN 12164
4	Gland	1	Plastic
5	Gasket	1	SGL Carbon
6	Swivel nut	1	CW617N UNI-EN 12165
7	Pipe gasket	1	SBR
8	Hose connection	1	CW508L UNI-EN 1652
9	Chain	1	Brassed iron
10	Plug	1	CW617N UNI-EN 12165
11	Plug gasket	1	SBR

DIMENSIONS

DN	A	B	C	D	R	PN
10	3/8"	73	28	8	1/2"	10
15	1/2"	75	32	10	3/4"	10
20	3/4"	92	38	13,5	1"	10

PACKAGING

	3/8"	1/2"	3/4"
CODE	39600003	39600004	39600006
PCS BOX	1	1	1
PCS CARTON	100	100	50

BOILER DRAIN VALVES

MALE TAPERED BOILER DRAIN VALVE

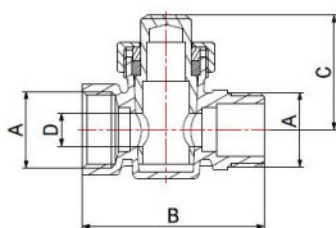
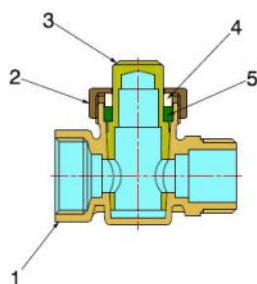
3970



- Male tapered boiler drain valve with male/female thread
- Finishing sandlasted yellow
- Male/Female thread ISO 228
- Temperature range min-10°C - max +120°C

Valve suitable for interrupting fluids that are generally non-corrosive, compatibly with the valve materials.

Plumbing and heating systems are the ideal fields of application, where this valve is used to discharge heat transfer fluids from the heating system.



COMPONENTS

POS.	PART NAME	N°	MATERIAL
1	Body	1	CW617N UNI-EN 12165
2	Nut	1	CW617N UNI-EN 12165
3	Cone	1	CW617N UNI-EN 12164
4	Gland	1	Plastic
5	Gasket	1	SGL Carbon

DIMENSIONS

DN	A	B	C	D	PN
10	3/8"	48	28	8	10
15	1/2"	47,5	32	10	10

PACKAGING

	3/8"	1/2"
CODE	39700003	39700004
PCS BOX	25	25
PCS CARTON	250	250

BOILER DRAIN VALVES

MALE TAPERED BOILER DRAIN VALVE

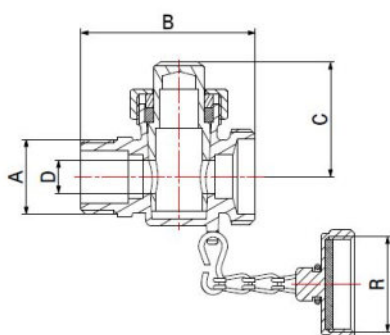
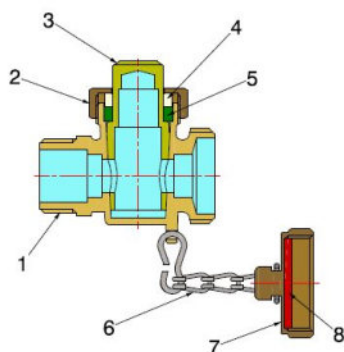
3940



- Male tapered boiler drain valve with cap and chain
- Thread ISO 228
- Finishing sandblasted yellow
- Temperature range min-10°C - max +120°C

Valve suitable for interrupting fluids that are generally non-corrosive, compatibly with the valve materials.

Plumbing and heating systems are the ideal fields of application, where this valve is used to discharge heat transfer fluids from the heating system.



COMPONENTS

POS.	PART NAME	N°	MATERIAL
1	Body	1	CW617N UNI-EN 12165
2	Nut	1	CW617N UNI-EN 12165
3	Cone	1	CW617N UNI-EN 12164
4	Gland	1	Plastic
5	Gasket	1	SGL Carbon
6	Chain	1	Brassed iron
7	Plug	1	CW617N UNI-EN 12165
8	Plug gasket	1	SBR

DIMENSIONS

DN	A	B	C	D	R	PN
10	3/8"	47	28	8	1/2"	10
15	1/2"	48	32	10	3/4"	10
20	3/4"	60	38	13,5	1"	10

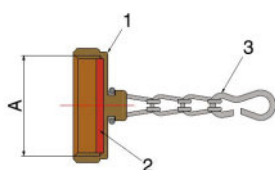
PACKAGING

	3/8"	1/2"	3/4"
CODE	39400003	39400004	39400006
PCS BOX	1	1	1
PCS CARTON	150	150	100

ACCESSORIES

CAP AND CHAIN

394000XA



- 3/4" cap for boiler drain valve with gasket and chain

COMPONENTS

POS.	PART NAME	N°	MATERIAL
1	Plug	1	CW617N UNI-EN 12165
2	Gasket	1	SBR
3	Chain	1	Brassed iron

TO USE WITH: 39400003XA

3940	3/8"
3960	3/8"

TO USE WITH: 39400004XA

3940	1/2"
3960	1/2"

TO USE WITH: 39400006XA

3940	3/4"
3960	3/4"

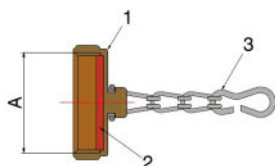
DIMENSIONS

	A=1/2"	A=3/4"	A=1"
CODE	39400003XA	39400004XA	39400006XA

ACCESSORIES

CAP AND CHAIN

394011XA



- 3/4" cap for boiler drain valve with gasket and chain

COMPONENTS

POS.	PART NAME	N°	MATERIAL
1	Plug	1	CW617N UNI-EN 12165 nickel-plated
2	Gasket	1	SBR
3	Chain	1	Nickel-plated brass iron

TO USE WITH: 39401104XA

7759	1/2"
------	------

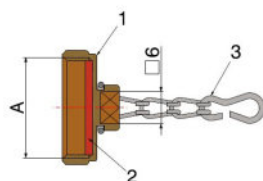
DIMENSIONS

	A=3/4"
CODE	39401104XA

ACCESSORIES

CAP AND CHAIN WITH KEYS

775600XC



- 3/4" cap for boiler drain valve with square key 6 mm with gasket and chain

COMPONENTS

POS.	PART NAME	N°	MATERIAL
1	Plug	1	CW617N UNI-EN 12165
2	Plug gasket	1	SBR
3	Chain	1	Brassed iron

TO USE WITH: 77560004XC

7756	1/2"
------	------

DIMENSIONS

A=3/4"

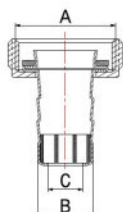
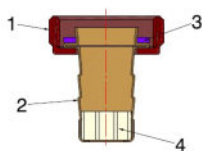
CODE

77560004XC

ACCESSORIES

FLY NUT WITH PIPE

309010



- Fly nut hose-end pipe and nozzle for boiler drain valves

COMPONENTS

POS.	PART NAME	N°	MATERIAL
1	SwivelFly nut	1	CW617N UNI-EN 12165
2	Hose connection	1	CW508L UNI-EN 1652
3	Gasket	1	SBR
4	Nozzle	1	Nylon

DIMENSIONS

A	B	C
1/2"	13	10
3/4"	14	10
1"	20	13

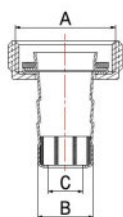
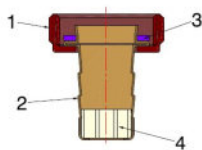
UTILIZATION

CODE	TO USE WITH: 3940	TO USE WITH: 3960	TO USE WITH: 3960	TO USE WITH: 7759
30901003	3/8"	3/8"	-	-
30901004	1/2"	1/2"	1/2"	1/2"
30901006	3/4"	3/4"	-	-

ACCESSORIES

FLY NUT WITH PIPE

309000



- Fly nut hose-end pipe and nozzle for boiler drain valves

COMPONENTS

POS.	PART NAME	N°	MATERIAL
1	Swivel nut	1	CW617N UNI-EN 12165 nickel-plated
2	Hose connection	1	CW508L UNI-EN 1652 nickel-plated
3	Gasket	1	SBR
4	Nozzle	1	Nylon

DIMENSIONS

A	B	C
3/4"	14	10

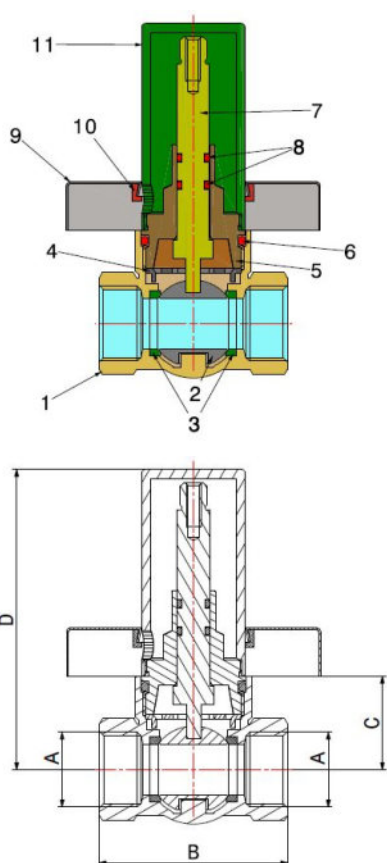
UTILIZATION

CODE	TO USE WITH:
30900004	7759 1/2"

BUILT-IN TAPS

BUILT-IN BALL VALVE

8005



- Built-in ball valve with rosette and u-bolt
- Female/Female thread ISO 228
- Extractable stem and ball
- Temperature range min 0°C - max +95°C

Valve suitable for distributing and interrupting fluids that are generally non-corrosive, compatibly with the valve materials. Plumbing and heating systems are the ideal fields of application, where it is used as a built-in shut-off valve.

It's a full bore valve and the ball seal is guaranteed by two PTFE seats, both removable, as the ball itself, to carry out potential maintenance operations.

The operating mechanism seal features two EPDM PEROX O-Rings.

It is advisable to carry out a complete maneuver cycle at least once every three months in order to prevent limescale deposits that could compromise the valve functioning.

COMPONENTS

POS.	PART NAME	N°	MATERIAL
1	Body	1	CW617N UNI-EN 12165
2	Ball	1	CW617N UNI-EN 12164 chrome-plated
3	Seal	2	PTFE
4	Manoeuvre retainer	1	Stainless steel
5	Upper part	1	CW617N UNI-EN 12165
6	O-Ring	1	EPDM Perox
7	Stem	1	CW617N UNI-EN 12164
8	O-Ring	2	EPDM Perox
9	Rosette	1	CW508L chrome-plated
10	Gasket	1	PVC
11	Special knob	1	Zama chrome-plated

DIMENSIONS

A	B	C min	C max	D	PN
1/2"	62	20	68	83	40
3/4"	64	24	72	83	40

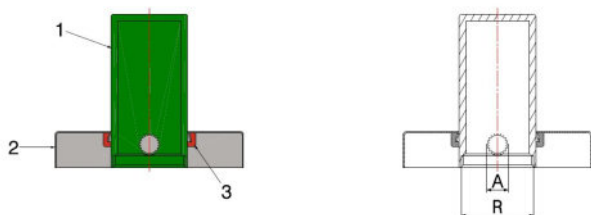
PACKAGING

	1/2"	3/4"
CODE	80050004	80050006
PCS BOX	4	4
PCS CARTON	40	40

ACCESSORIES

ROSETTE AND U-BOLT

4805XC



- Rosette and u-bolt for 1/2" and 3/4" valves

COMPONENTS

POS.	PART NAME	N°	MATERIAL
1	Specal knob	1	Zama chromed-plated
2	U-bolt	1	CW508L chrome-plated
3	Gasket	1	PVC

DIMENSIONS

A (Broach)	R
8x20	Ø27x19 Fil.

8x20 Broach

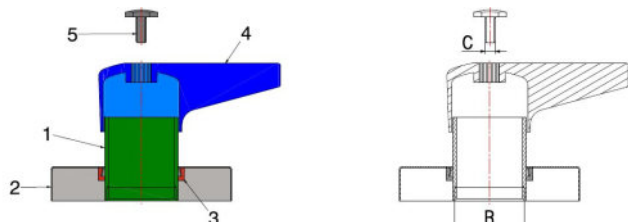
CODE

48050000XC

ACCESSORIES

ROSETTE, HANDLE, SCREW

4802XC



- Rosette, handle and screw

COMPONENTS

POS.	PART NAME	N°	MATERIAL
1	U-bolt	1	Zama chrome-plated
2	Rosette	1	CW508L chrome-plated
3	Gasket	1	PVC
4	Handle	1	Zama chrome-plated
5	Screw	1	Steel

DIMENSIONS

A (Broach)	R	C
8x20	Ø27x19 Fil.	M3

8x20 Broach

CODE

48020000XC

ACCESSORIES

ROSETTE, GLOBE HANDLE

4800XC

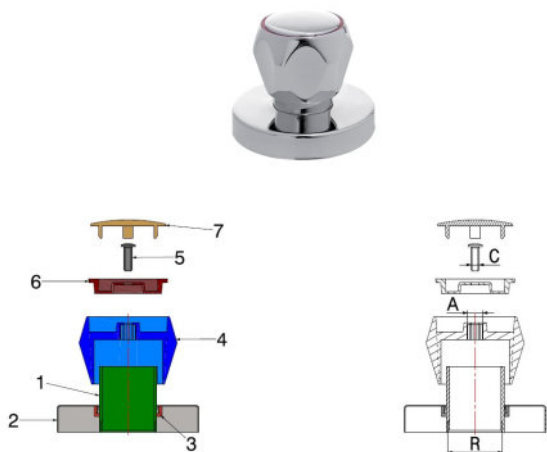
- Rosette and globe handle

COMPONENTS

POS.	PART NAME	N°	MATERIAL
1	U-bolt	1	Zama chrome-plated
2	Rosette	1	CW508L chrome-plated
3	Gasket	1	PVC
4	Handle	1	Zama chrome-plated
5	Screw	1	Steel
6	Colored disc	1	Plastic (red or blue)
7	Plate	1	Plastic chrome-plated

DIMENSIONS

A (Broach)	R	C
8x20	∅27x19 Fil.	M3



8x20 Broach

CODE

48000000XC

ACCESSORIES

VALVE REPAIR KIT

8000XF

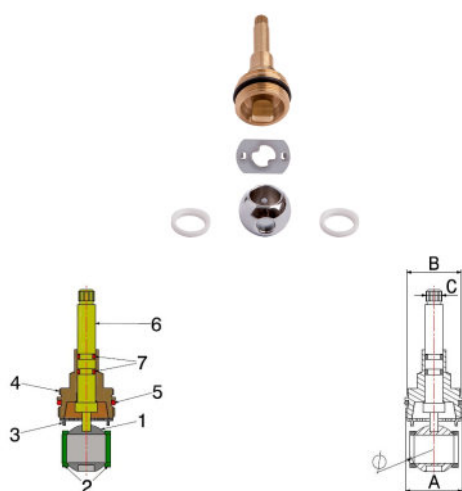
- Repair kit for built-in valve

COMPONENTS

POS.	PART NAME	N°	MATERIAL
1	Ball	1	CW614N UNI-EN 12164 chrome-plated
2	Seal	2	PTFE
3	Manoeuvre retainer	1	Stainless steel
4	Upper part	1	CW617N UNI-EN 12165
5	O-Ring	1	EPDM Perox
6	Stem	1	CW614N UNI-EN 12164
7	O-Ring	2	EPDM Perox

DIMENSIONS

	A	B	C (Broach)	∅ (Ball size)
1/2"	28x19 Fil.	∅27x19 Fil.	8x20	24
3/4"	35x19 Fil.	∅27x19 Fil.	8x20	31



1/2"

3/4"

CODE

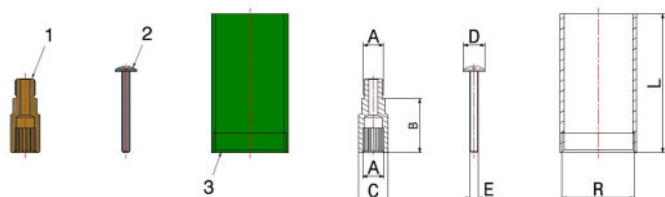
80000004XF

80000006XF

ACCESSORIES

EXTENSION

4810



- Extension for built-in ball valve for handle and globe handle

COMPONENTS

POS.	PART NAME	N°	MATERIAL
1	Extension	1	CW617N UNI-EN 12164
2	M3 Screw	1	Brass
3	U-bolt	1	CW508L chrome-plated

DIMENSIONS

A (Broach)	B	C	D	E	L	R
8x20	20	11	8	M3	51,5	Ø27x19 Fil.

8x20 Broach

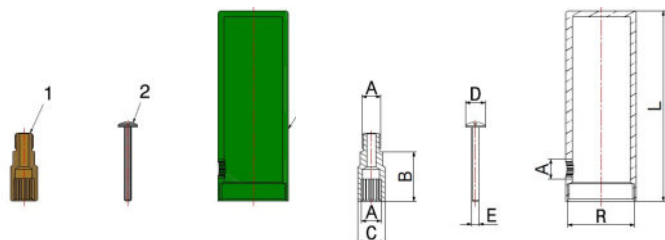
CODE

48100004

ACCESSORIES

EXTENSION

4811



- Extension for built-in ball valve with u-bolt

COMPONENTS

POS.	PART NAME	N°	MATERIAL
1	Extension	1	CW617N UNI-EN 12164
2	M3 Screw	1	Brass
3	Special knob	1	CW508L chrome-plated

DIMENSIONS

A (Broach)	B	C	D	E	L	R
8x20	20	11	6	M3	77	Ø27x19 Fil.

8x20 Broach

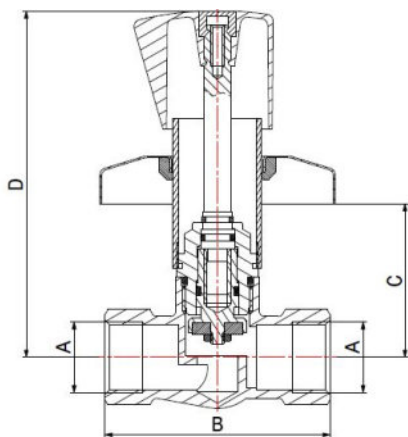
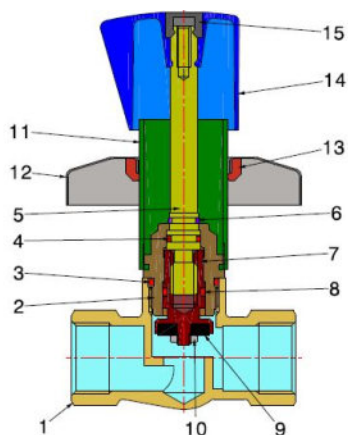
CODE

48110004

BUILT-IN TAPS

BUILT-IN TAP

3760



- Built-in tap with 3 point handle
- Female/Female thread ISO 228
- Temperature range min 0°C -max +95°C

Valve suitable for distributing, regulating and interrupting fluids that are generally non-corrosive, compatibly with the valve materials. Plumbing and heating systems are the ideal field of application, where it is used as a built-in shut-off valve.

The seat tightness is guaranteed by a NBR seal.

COMPONENTS

POS.	PART NAME	N°	MATERIAL
1	Body	1	CW617N UNI-EN 12165
2	Upper part	1	CW617N UNI-EN 12164
3	O-Ring	1	NBR
4	O-Ring	1	NBR
5	Screw	1	CW617N UNI-EN 12164
6	Snap ring	1	Phosphorous bronze
7	Valve	1	CW617N UNI-EN 12164
8	O-Ring	1	NBR
9	Gasket	1	NBR
10	Nut	1	CW617N UNI-EN 12164
11	U-bolt	1	Chromed brass
12	Rosette	1	Stainless steel
13	Rosette gasket	1	Rubber
14	Handle	1	Zama chrome-plated
15	Plate	1	Plastic

DIMENSIONS

DN	A	B	C min	C max	D	PN
15	1/2"	66	18	50	102	16
20	3/4"	65	18	50	102	16

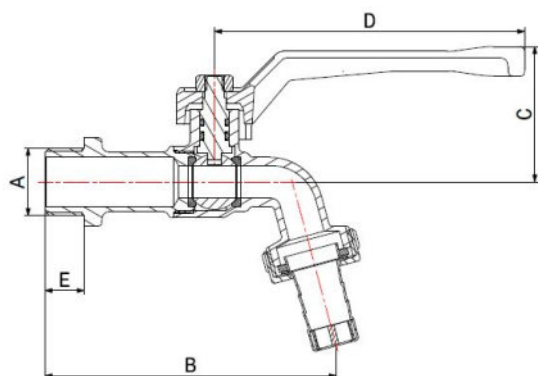
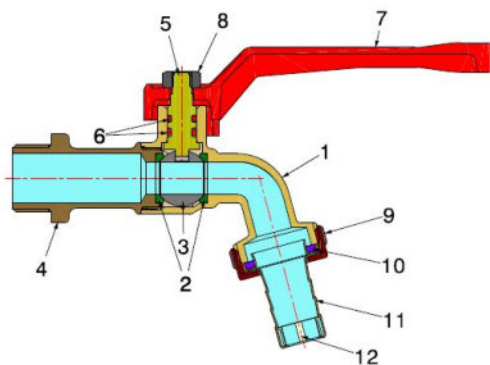
PACKAGING

	1/2"	3/4"
CODE	37600004	37600006
PCS BOX	8	8
PCS CARTON	80	80

BIBCOCKS

ARNO

730002



- Bibcock with aluminium lever and hose-end
- Thread ISO 228
- Finishing nickel-plated
- Temperature range min 0°C - max +95°C

Bibcock suitable for distributing and interrupting fluids that are generally non-corrosive, compatibly with the valve materials. Plumbing, heating, industrial and agricultural sectors are the ideal fields of application.

It's a reduced bore bibcock and the ball seal is guaranteed by two PTFE seats.

The operating mechanism seal features two NBR O-Rings with an internally installed stem and anti-ejection system.

It is advisable to carry out a complete maneuver cycle at least once every three months in order to prevent limescale deposits that could compromise the valve functioning.

COMPONENTS

POS.	PART NAME	N°	MATERIAL
1	Body	1	CW617N UNI-EN 12165 nickel-plated
2	Seal	2	PTFE
3	Ball	1	CW617N UNI-EN 12165 chrome-plated
4	End connection	1	CW617N UNI-EN 12165 nickel-plated
5	Stem	1	CW617N UNI-EN 12164
6	O-Ring	2	NBR
7	Lever	1	Lacquered aluminium
8	Nut	1	Galvanised iron
9	Swivel nut	1	CW617N UNI-EN 12165 nickel-plated
10	Gasket	1	SBR
11	Hose connection	1	CW508L UNI-EN 1652 nickel-plated
12	Nozzle	1	Nylon

DIMENSIONS

DN	A	B	C	D	E	PN
15	1/2"	89	40	95	12	20
20	3/4"	102	43	95	15	20
25	1"	126	45	95	16	20

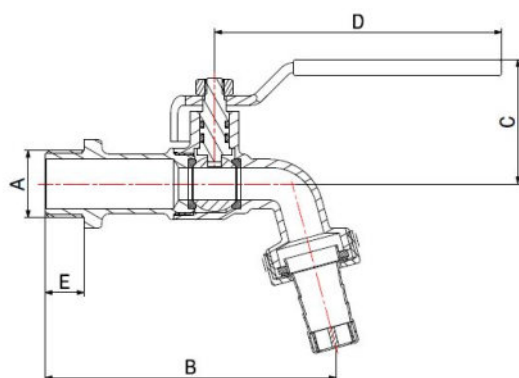
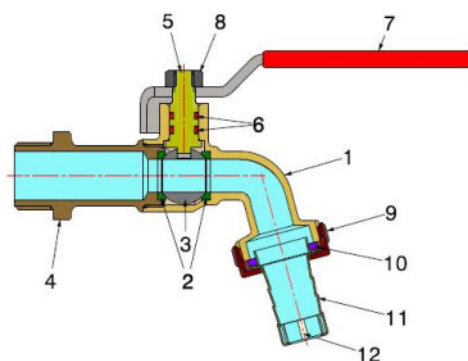
PACKAGING

	1/2"	3/4"	1"
CODE	73000204R	73000206R	73000208R
PCS BOX	12	10	6
PCS CARTON	120	100	60

BIBCOCKS

ARNO

730001



- Bibcock with iron lever and hose-end
- Thread ISO 228
- Finishing nickel-plated
- Temperature range min 0°C - max +95°C

Bibcock suitable for distributing and interrupting fluids that are generally non-corrosive, compatibly with the valve materials. Plumbing, heating, industrial and agricultural sectors are the ideal fields of application.

It's a reduced bore bibcock and the ball seal is guaranteed by two PTFE seats.

The operating mechanism seal features two NBR O-Rings with an internally installed stem and anti-ejection system.

It is advisable to carry out a complete maneuver cycle at least once every three months in order to prevent limescale deposits that could compromise the valve functioning.

COMPONENTS

POS.	PART NAME	N°	MATERIAL
1	Body	1	CW617N UNI-EN 12165 nickel-plated
2	Seal	2	PTFE
3	Ball	1	CW617N UNI-EN 12164 chrome-plated
4	End connection	1	CW617N UNI-EN 12165 nickel-plated
5	Stem	1	CW617N UNI-EN 12164
6	O-Ring	2	NBR
7	Lever	1	Galvanised iron and PVC coated
8	Nut	1	Galvanised iron
9	Swivel nut	1	CW617N UNI-EN 12165 nickel-plated
10	Gasket	1	SBR
11	Hose connection	1	CW508L UNI-EN 1652 nickel-plated
12	Nozzle	1	Nylon

DIMENSIONS

DN	A	B	C	D	E	PN
15	1/2"	89	39	87	12	20
20	3/4"	102	42	87	15	20
25	1"	126	44	87	16	20

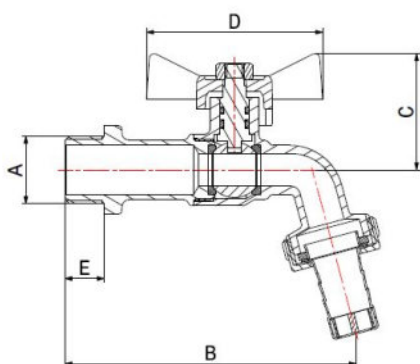
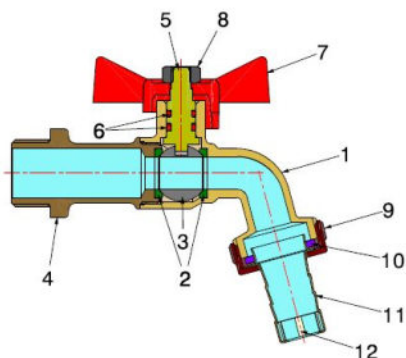
PACKAGING

	1/2"	3/4"	1"
CODE	73000104R	73000106R	73000108R
PCS BOX	12	10	6
PCS CARTON	120	100	60

BIBCOCKS

ARNO

735000



- Bibcock with aluminium T handle and hose-end
- Thread ISO 228
- Finishing nickel-plated
- Temperature range min 0°C - max +95°C

Bibcock suitable for distributing and interrupting fluids that are generally non-corrosive, compatibly with the valve materials. Plumbing, heating, industrial and agricultural sectors are the ideal fields of application.

It's a reduced bore bibcock and the ball seal is guaranteed by two PTFE seats.

The operating mechanism seal features two NBR O-Rings with an internally installed stem and anti-ejection system.

It is advisable to carry out a complete maneuver cycle at least once every three months in order to prevent limescale deposits that could compromise the valve functioning.

COMPONENTS

POS.	PART NAME	N°	MATERIAL
1	Body	1	CW617N UNI-EN 12165 nickel-plated
2	Seal	2	PTFE
3	Ball	1	CW617N UNI-EN 12164 chrome-plated
4	End connection	1	CW617N UNI-EN 12165 nickel-plated
5	Stem	1	CW617N UNI-EN 12164
6	O-Ring	2	NBR
7	"T" handle	1	Lacquered aluminium
8	Nut	1	Galvanised iron
9	Swivel nut	1	CW617N UNI-EN 12165 nickel-plated
10	Gasket	1	SBR
11	Hose connection	1	CW508L UNI-EN 1652 nickel-plated
12	Nozzle	1	Nylon

DIMENSIONS

DN	A	B	C	D	E	PN
15	1/2"	89	36	54	12	20
20	3/4"	102	39	54	15	20
25	1"	126	41	54	16	20

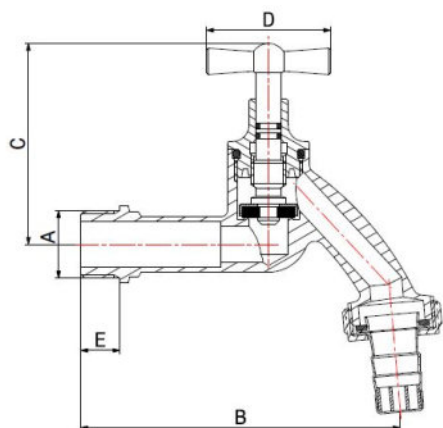
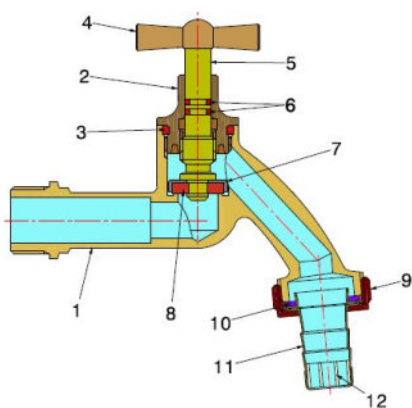
PACKAGING

	1/2"	3/4"	1"
CODE	73500004R	73500006R	73500008R
PCS BOX	15	10	6
PCS CARTON	150	100	60

BIBCOCKS

BIBCOCK WITH HOSE END

3570



- Bibcock with hose-end
- Thread ISO 228
- Finishing available
- Sandblasted yellow code 357010
- Sandblasted chromed code 357011
- Polished yellow code 357012
- Polished chromed code 357013
- Temperature range min 0°C - max +90°C

Bibcock particularly suitable for distributing and collecting agents that are generally non-corrosive, compatibly with the valve materials. Other fields of application can be heating areas of water and sanitary engineering, industry, agriculture and construction.

The seat tightness is guaranteed by a NBR seal.

COMPONENTS

POS.	PART NAME	N°	MATERIAL
1	Body	1	CW617N UNI-EN 12165
2	Upper part body	1	CW617N UNI-EN 12164
3	O-Ring	1	NBR
4	Handle	1	CW617N UNI-EN 12164
5	Screw	1	CW617N UNI-EN 12164
6	O-Ring	2	NBR
7	Gasket holder disc	1	AISI 304 stainless steel
8	Gasket	1	NBR
9	Swivek nut	1	CW617N UNI-EN 12165
10	Gasket	1	SBR
11	Hose connection	1	CW508L UNI-EN 1652
12	Nozzle	1	Nylon

DIMENSIONS

DN	A	B	C open	C closed	D	E	PN
15	1/2"	100	68	61	38	12	8
20	3/4"	105	81	74	38	14	8

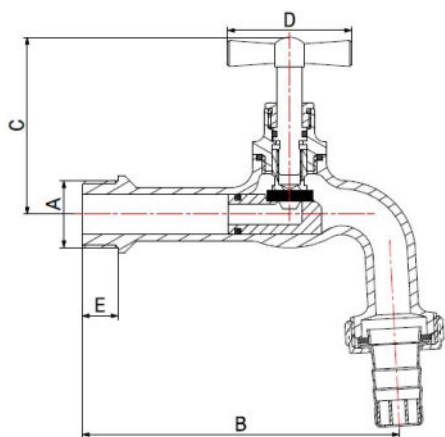
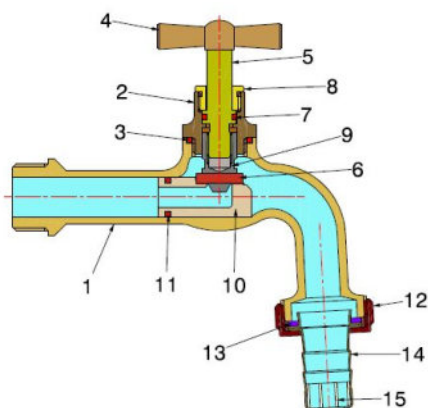
PACKAGING

FINISHING	SANDBLASTED	YELLOW	SANDBLASTED	CHROMED	POLISHED	YELLOW	POLISHED	CHROMED
	1/2"	3/4"	1/2"	3/4"	1/2"	3/4"	1/2"	3/4"
CODE	35701004	35701006	35701104	35701106	35701204	35701206	35701304	35701306
PCS BOX	1	1	1	1	1	1	1	1
PCS CARTON	80	50	80	50	80	50	80	50

BIBCOCKS

BIBCOCK WITH HOSE-END

3712



- Bibcock with hose-end
- Thread ISO 228
- Finishing available:
 - Sandblasted chrome code 371211
 - Polished yellow code 371212
 - Polished chrome code 371213
- Temperature range min 0°C - max +90°C

Bibcock particularly suitable for distributing and collecting agents that are generally non-corrosive, compatibly with the valve materials. Other fields of application can be heating areas of water and sanitary engineering, industry, agriculture and construction. The seat tightness is guaranteed by a NBR seal.

COMPONENTS

POS.	PART NAME	N°	MATERIAL
1	Body	1	CW617N UNI-EN 12165
2	Upper part body	1	CW617N UNI-EN 12164
3	O-Ring	1	NBR
4	Handle	1	CW617N UNI-EN 12164
5	Screw	1	CW617N UNI-EN 12164
6	Gasket	1	NBR
7	O-Ring	1	NBR
8	Gland	1	CW617N UNI-EN 12164
9	Valve	1	CW617N UNI-EN 12164
10	Insert	1	Plastic (1/2" - 3/4")
11	O-Ring	1	NBR (1/2" - 3/4")
12	Swivel nut	1	CW617N UNI-EN 12165
13	Gasket	1	NBR
14	Hose connection	1	CW508L UNI-EN 1652
15	Nozzle	1	Nylon

DIMENSIONS

DN	A	B	C	D	E	PN
15	1/2"	105	68	43	12	8
20	3/4"	110	75	43	15	8
25	1"	140	80	43	17	8

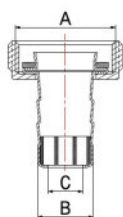
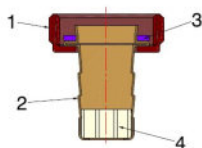
PACKAGING

FINISHING	SANDBLASTED CHROME			POLISHED YELLOW			POLISHED CHROMED		
	1/2"	3/4"	1"	1/2"	3/4"	1"	1/2"	3/4"	1"
CODE	37121104	37121106	37121108	37121204	37121206	37121208	37121304	37121306	37121308
PCS BOX	10	5	3	10	5	3	10	5	3
PCS CARTON	80	50	30	80	50	30	80	50	30

ACCESSORIES

FLY NUT WITH PIPE

309010



- Fly nut hose-end pipe and nozzle

COMPONENTS

POS.	PART NAME	N°	MATERIAL
1	Swivel nut	1	CW617N UNI-EN 12165
2	Hose connection	1	CW508L UNI-EN 1652
3	Gasket	1	SBR
4	Nozzle	1	Nylon

DIMENSIONS

A	B	C
3/4"	14	10
1"	20	13
1.1/4"	25	18

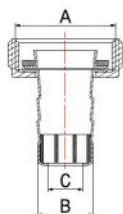
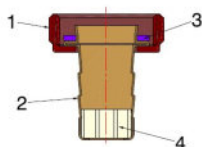
UTILIZATION

CODE	TO USE WITH 3570	TO USE WITH 3712
30901004	1/2"	1/2"
30901006	3/4"	3/4"
30901008	1"	1"

ACCESSORIES

FLY NUT WITH PIPE

309000



- Fly nut hose-end pipe and nozzle

COMPONENTS

POS.	PART NAME	N°	MATERIAL
1	Swivel nut	1	CW617N UNI-EN 12165 nickel-plated
2	Hose connection	1	CW508L UNI-EN 1652 nickel-plated
3	Gasket	1	SBR
4	Nozzle	1	Nylon

DIMENSIONS

A	B	C
3/4"	14	10
1"	20	13
1.1/4"	25	18

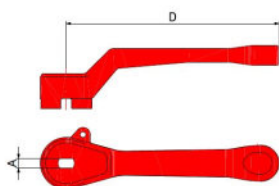
UTILIZATION

CODE	TO USE WITH 730001	TO USE WITH 730002	TO USE WITH 735000	TO USE WITH 3570	TO USE WITH 3712
30900004	1/2"	1/2"	1/2"	1/2"	1/2"
30900006	3/4"	3/4"	3/4"	3/4"	3/4"
30900008	1"	1"	1"	-	1"

ACCESSORIES

ALUMINUM LEVER

02R



- Aluminium lever for bibcocks

TO USE WITH: 76010204R490

730002

1/2" - 3/4" - 1"

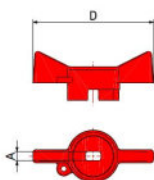
DIMENSIONS

	D=95 SLOT 4
CODE	76010204R490

ACCESSORIES

TEE HANDLE

00R



- Red T handle for bibcocks

TO USE WITH: 76500002R401

735000

1/2" - 3/4" - 1"

DIMENSIONS

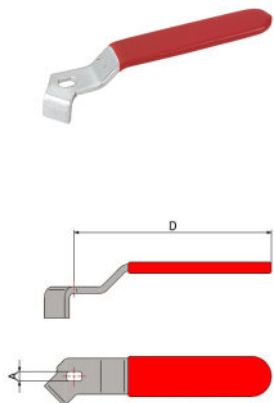
	D=54 SLOT 4
CODE	76500002R401

ACCESSORIES

IRON LEVER

01R

- Galvanised iron and red PVC coated lever



TO USE WITH: 79510103R490

730001

1/2" - 3/4" - 1"

DIMENSIONS

D=87 - SLOT 4

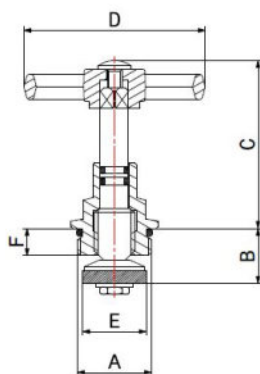
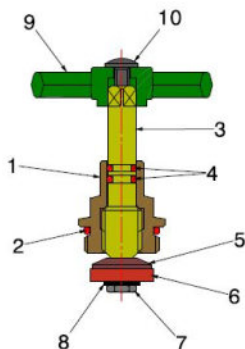
CODE

79510103R490

UPPER PARTS

UPPER PART FOR STOP VALVE

7520AXC



- Upper part for stop valve - moving stem
- Male thread ISO 228
- Temperature range min 0°C - max +95°C

COMPONENTS

POS.	PART NAME	N°	MATERIAL
1	Upper part body	1	CW617N UNI-EN 12164 - CW617N UNI-EN 12165
2	O-Ring	1	KTW approved EPDM Perox
3	Upper part stem	1	CW617N UNI-EN 12164
4	O-Ring	2	KTW approved EPDM Perox
5	Gasket holder disc	1	CW617N UNI-EN 12164 - CW617N UNI-EN 12165
6	Gasket	1	KTW approved EPDM Perox
7	Nut	1	CW617N UNI-EN 12164
8	Washer	1	CW508L UNI-EN 1652
9	Handwheel	1	Plastic
10	Screw	1	CW508L UNI-EN 12166

DIMENSIONS

A	B min	B max	C min	C max	D	E	F	PN
1/2"	16,5	23	38,5	45	50	17	7,5	16
3/4"	17,5	26	41,5	50	50	22	8,5	16
1"	20	32,5	53,5	64	55	29	10,5	16
1.1/4"	22,5	44,5	70	92	55	37	12	16
1.1/2"	26,5	46	65,5	85	70	42	13	16
2"	25,5	56,5	87	118	70	55	14	16

PACKAGING

	1/2"	3/4"	1"	1.1/4"	1.1/2"	2"
CODE	7520A004XC	7520A006XC	7520A008XC	7520A010XC	7520A011XC	7520A013XC
PCS BOX	-	-	-	-	-	-
PCS CARTON	200	150	150	50	40	30

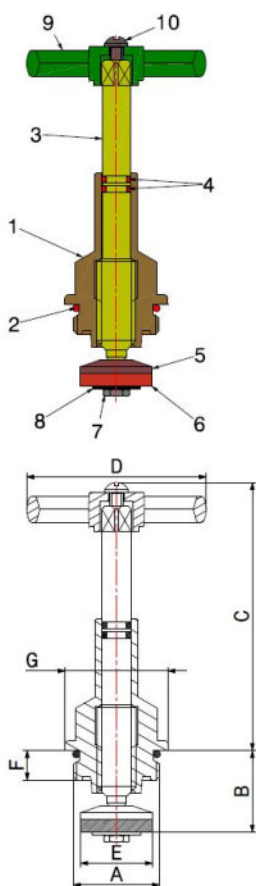
UPPER PARTS

UPPER PART DIN 3502

7480XC



- Upper part conform to DIN 3502 - moving stem
- Male thread ISO 228
- Temperature range min 0°C - max +95°C



COMPONENTS

POS.	PART NAME	N°	MATERIAL
1	Upper part body	1	CW617N UNI-EN 12164 - CW617N UNI-EN 12165
2	O-Ring	1	KTW approved EPDM Perox
3	Upper part stem	1	CW617N UNI-EN 12164
4	O-Ring	2	KTW approved EPDM Perox
5	Gasket holder disc	1	CW617N UNI-EN 12164 - CW617N UNI-EN 12165
6	Gasket	1	KTW approved EPDM Perox
7	Nut	1	CW617N UNI-EN 12164
8	Washer	1	CW508L UNI-EN 1652
9	Handwheel	1	Plastic
10	Screw	1	CW508L UNI-EN 12166

DIMENSIONS

A	B min	B max	C min	C max	D	E	F	G	PN
1/2"	19	35	58	74	50	17	8	25,5	16
3/4"	24	43	64	83	55	22	9	31,5	16
1"	27	52	76	101	55	29	10,5	39,5	16
1.1/4"	31	63	89	121	70	37	12	49	16
1.1/2"	32	72	105	145	70	42	13	56	16
2"	40	90	126	176	70	55	14	68	16

PACKAGING

	1/2"	3/4"	1"	1.1/4"	1.1/2"	2"
CODE	74800004XC	74800006XC	74800008XC	74800010XC	74800011XC	74800013XC
PCS BOX	-	-	-	-	-	-
PCS CARTON	250	175	80	50	40	30

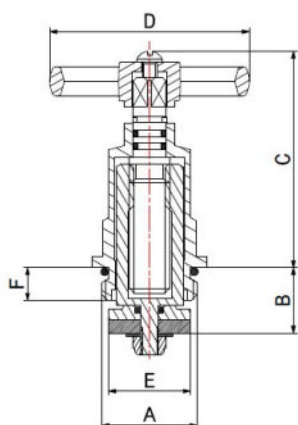
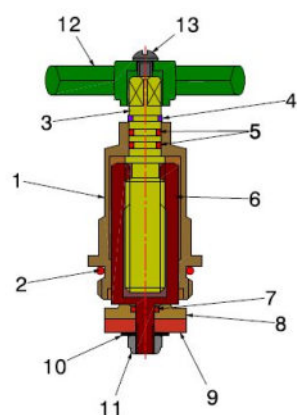
UPPER PARTS

UPPER PART TO DIN 3502

7500XC



- Upper part conform to DIN 3502 - fixed stem
- Male thread ISO 228
- Temperature range min 0°C - max +95°C



COMPONENTS

POS.	PART NAME	N°	MATERIAL
1	Upper part body	1	CW617N UNI-EN 12164 - CW617N UNI-EN 12165
2	O-Ring	1	KTW approved EPDM Perox
3	Upper part stem	1	CW617N UNI-EN 12164
4	Snap ring	1	Phosphorous bronze
5	O-Ring	2	KTW approved EPDM Perox
6	Valve	1	CW617N UNI-EN 12164
7	O-Ring	1	KTW approved EPDM Perox
8	Gasket holder disc	1	CW617N UNI-EN 12164
9	Gasket	1	KTW approved EPDM Perox
10	Washer	1	CW508L UNI-EN 1652
11	Self-locking nut	1	Brass + Plastic
12	Handwheel	1	Plastic
13	Screw	1	CW508L UNI-EN 12166

DIMENSIONS

A	B min	B max	C	D	E	F	G	PN
1/2"	17	35	53	50	17	8	25,5	16
3/4"	19	43	59	50	22	9	31,5	16
1"	20	52	70	55	29	10,5	39,5	16
1.1/4"	21,5	63	82	70	37	11	49	16
1.1/2"	23	72	87	70	42	12	56	16
2"	26	90	97	70	55	14	68	16

PACKAGING

	1/2"	3/4"	1"	1.1/4"	1.1/2"	2"
CODE	75000004XC	75000006XC	75000008XC	75000010XC	75000011XC	75000013XC
PCS BOX	-	-	-	-	-	-
PCS CARTON	250	150	80	60	40	20

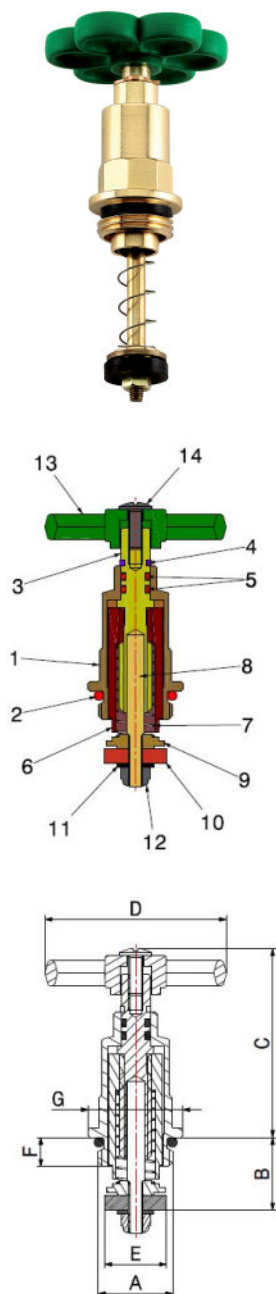
UPPER PARTS

UPPER PART WITH SPRING

7550XC



- Upper part with spring - fixed stem
- Male thread ISO 228
- Temperature range min 0°C - max +95°C



COMPONENTS

POS.	PART NAME	N°	MATERIAL
1	Upper part body	1	CW617N UNI-EN 12164 (1/2"-3/4") - CW617N UNI-EN 12165 (from 1" to 2")
2	O-Ring	1	KTW approved EPDM Perox
3	Upper part stem	1	CW617N UNI-EN 12164
4	Snap ring	1	Phosphorous bronze
5	O-Ring	2	KTW approved EPDM Perox
6	Valve	1	CW617N UNI-EN 12164
7	Spring	1	AISI 302 stainless steel
8	Hose end stem	1	CW617N UNI-EN 12164
9	Gasket holder disc	1	CW617N UNI-EN 12164
10	Gasket	1	KTW approved EPDM Perox
11	Washer	1	CW508L UNI-EN 1652
12	Self-locking nut	1	Brass + Plastic
13	Handwheel	1	Plastic
14	Screw	1	CW508L UNI-EN 12166

DIMENSIONS

A	B min	B max	C	D	E	F	G	PN
1/2"	17	35	53	50	17	8	25,5	16
3/4"	19	43	59	55	22	9	31,5	16
1"	20	52	70	55	29	10,5	39,5	16
1.1/4"	21,5	63	82	70	37	11	49	16
1.1/2"	23	72	87	70	42	12	56	16
2"	26	90	97	70	55	14	68	16

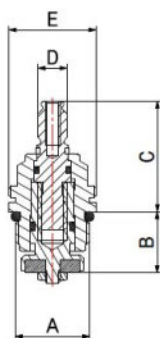
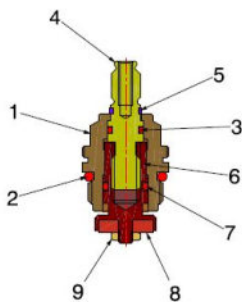
PACKAGING

	1/2"	3/4"	1"	1.1/4"	1.1/2"	2"
CODE	75500004XC	75500006XC	75500008XC	75500010XC	75500011XC	75500013XC
PCS BOX	-	-	-	-	-	-
PCS CARTON	250	150	80	60	40	20

UPPER PARTS

3-PIECE UPPER PART

2470



- 3-piece upper part - fixed stem
- Male thread ISO 228
- Temperature range min 0°C - max +95°C

COMPONENTS

POS.	PART NAME	N°	MATERIAL
1	Upper part body	1	CW617N UNI-EN 12164
2	O-Ring upper part	1	NBR
3	O-Ring screw	1	NBR
4	Screw	1	CW617N UNI-EN 12166
5	Snap ring	1	Phosphorous bronze
6	Valve	1	CW617N UNI-EN 12164
7	O-Ring (only 1/2")	1	NBR
8	Gasket	1	NBR
9	Nut	1	CW617N UNI-EN 12164

DIMENSIONS

A	B min	B max	C	D (Broach)	E	PN
3/8"	16,3	22,5	26	8x20	M21x1	16
1/2"	16,8	23,5	30,5	8x20	M24x1	16

PACKAGING

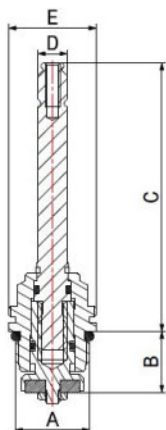
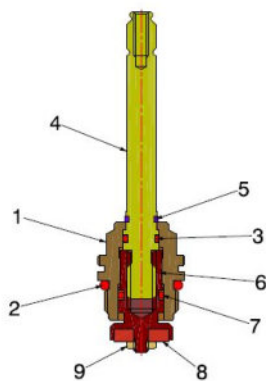
	3/8"	1/2"
CODE	24700003	24700004
PCS BOX	-	-
PCS CARTON	500	400

UPPER PARTS

3 PIECE UPPER PART

2475

- 3-piece upper part – long fixed stem
- Male thread ISO 228
- Temperature range min 0°C - max +95°C



COMPONENTS

POS.	PART NAME	N°	MATERIAL
1	Upper part body	1	CW617N UNI-EN 12164
2	O-Ring upper part	1	NBR
3	O-Ring screw	1	NBR
4	Screw	1	CW508L UNI-EN 12166
5	Snap ring	1	Phosphorous bronze
6	Valve	1	CW617N UNI-EN 12164
7	O-Ring (only 1/2")	1	NBR
8	Gasket	1	NBR
9	Nut	1	CW617N UNI-EN 12164

DIMENSIONS

A	B min	B max	C	D (Broach)	E	PN
1/2"	16,8	23,5	75	8x20	M24x1	16

PACKAGING

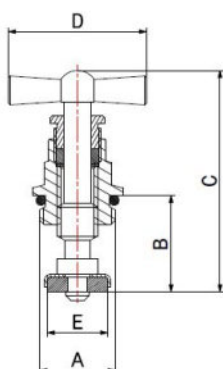
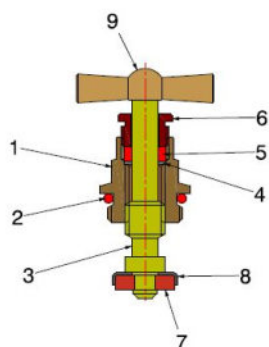
	1/2"
CODE	24750004
PCS BOX	-
PCS CARTON	300

UPPER PARTS

UPPER PART MOVING STEM

2490

- Upper part - moving stem with lever
- Male thread ISO 228
- Temperature range min 0°C - max +95°C



COMPONENTS

POS.	PART NAME	N°	MATERIAL
1	Upper part body	1	CW617N UNI-EN 12164
2	Upper part gasket	1	For 1/2" O-Ring gasket in NBR - For 3/8" flat gasket in fiber
3	Screw	1	CW617N UNI-EN 12164
4	Washer	1	CW508L UNI-EN 1652
5	Gasket screw	1	NBR
6	Gland	1	CW617N UNI-EN 12164
7	Gasket	1	NBR
8	Gasket holder disc	1	AISI 304 stainless steel (only 1/2")
9	Lever	1	CW617N UNI-EN 12164

DIMENSIONS

A	B min	B max	C	D	E	PN
3/8"	9	16	52	38	13	16
1/2"	16,5	27	60	38	16	16

PACKAGING

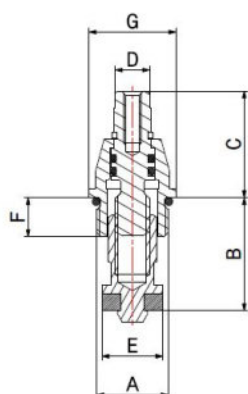
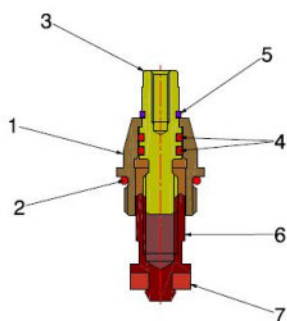
	3/8"	1/2"
CODE	24900003	24900004
PCS BOX	-	-
PCS CARTON	500	400

UPPER PARTS

3/8" UPPER PART

37450003

- 3/8" upper part for manifolds - fixed stem
- Male thread ISO 228
- Temperature range min 0°C - max +95°C



COMPONENTS

POS.	PART NAME	N°	MATERIAL
1	Upper part body	1	CW617N UNI-EN 12164
2	O-Ring	1	EPDM Perox
3	Screw	1	CW617N UNI-EN 12164
4	O-Ring	2	EPDM Perox
5	Snap ring	1	Phosphorous bronze
6	Valve	1	CW617N UNI-EN 12164
7	Gasket	1	EPDM Perox

DIMENSIONS

A	B min	B max	C	D (Square key)	E	F	G	PN
3/8"	18	27	21	6	14	9	20	16

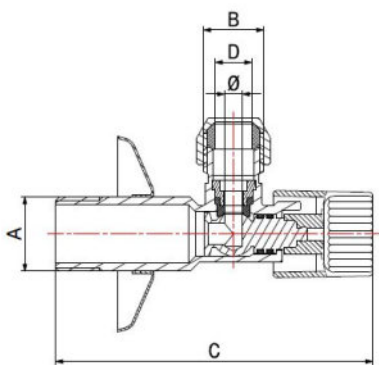
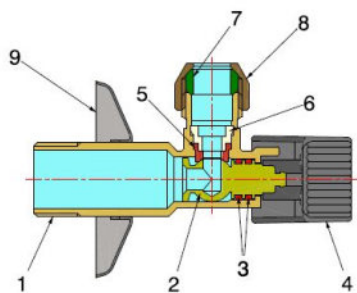
PACKAGING

	3/8"
CODE	37450003
PCS BOX	-
PCS CARTON	400

UNDER-BASIN TAPS

UNDER-BASIN TAP

7670



- Under-basin tap
- Male thread ISO 228
- Temperature range min 0°C - max +80°C

Valve suitable for distributing, regulating and interrupting fluids that are generally non-corrosive, compatibly with the valve materials. Plumbing and heating systems are the ideal field of application, where it is used as shut-off bibcock before other appliances such as taps, mixers or toilet tanks.

The seat tightness is guaranteed by a NBR gasket.

COMPONENTS

POS.	PART NAME	N°	MATERIAL
1	Body	1	CW617N UNI-EN 12165 chrome-plated
2	Stem with ball	1	CW617N UNI-EN 12164
3	O-Ring	2	EPDM Perox
4	Gasket	1	ABS chrome-plated
5	Shaped gasket	1	NBR
6	Snap seal	1	Nylon
7	Ogive	1	PTFE
8	Nut	1	CW617N UNI-EN 12164 chrome-plated
9	Rosette	1	Stainless steel

DIMENSIONS

A	B	C	D	Ø	PN
1/2"	3/8"	87	10	6	10
1/2"	1/2"	87	14	6	10

PACKAGING

	1/2"x3/8"	1/2"x1/2"
CODE	76700603	76700604
PCS BOX	1	1
PCS CARTON	150	150

UNDER-BASIN TAPS

UNDER-BASIN TAP

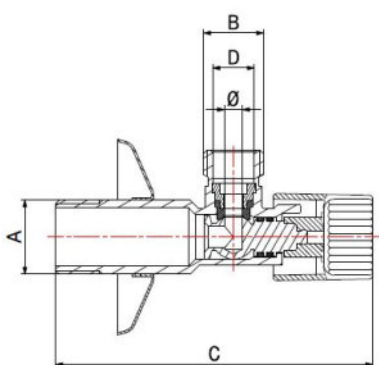
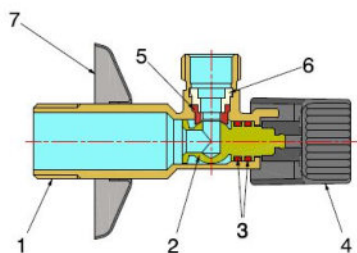
7671



- Under-basin tap without nut and ogive
- Male thread ISO 228
- Temperature range min 0°C - max +80°C

Valve suitable for distributing, regulating and interrupting fluids that are generally non-corrosive, compatibly with the valve materials. Plumbing and heating systems are the ideal field of application, where it is used as shut-off bibcock before other appliances such as taps, mixers or toilet tanks.

The seat tightness is guaranteed by a NBR gasket.



COMPONENTS

POS.	PART NAME	N°	MATERIAL
1	Body	1	CW617N UNI-EN 12165 chrome-plated
2	Stem with ball	1	CW617N UNI-EN 12164
3	O-Ring	2	EPDM Perox
4	Handle	1	ABS chrome-plated
5	Shaped gasket	1	NBR
6	Snap seal	1	Nylon
7	Rosette	1	Stainless steel

DIMENSIONS

A	B	C	D	Ø	PN
1/2"	3/8"	87	11	6	10
1/2"	1/2"	87	14,5	6	10

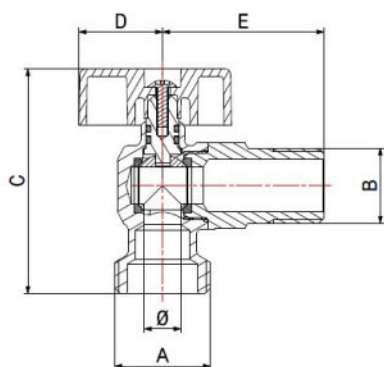
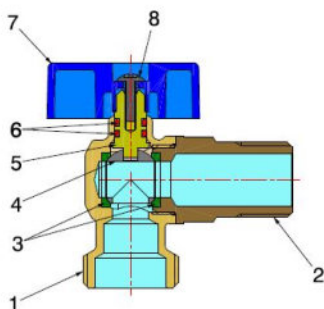
PACKAGING

	1/2"x3/8"	1/2"x1/2"
CODE	76710603	76710604
PCS BOX	1	1
PCS CARTON	150	150

WASHING MACHINE TAPS

WASHING MACHINE BALL VALVE

7835



- Washing machine ball valve
- Male thread ISO 228
- Temperature range min 0°C – max +80°C

Bibcock suitable for distributing and interrupting fluids that are generally non-corrosive, compatibly with the valve materials. Plumbing and heating systems are the ideal field of application, where it is used as shut-off bibcock before other appliances such as washing machines or dishwashers.

It's a reduced bore valve and the ball seal is guaranteed by two PTFE seats.

The operating mechanism seal features two EPDM Perox O-Rings with an internally installed stem and anti-ejection system.

It is advisable to carry out a complete maneuver cycle at least once every three months in order to prevent limescale deposits that could compromise the valve functioning

COMPONENTS

POS.	PART NAME	N°	MATERIAL
1	Body	1	CW617N UNI-EN 12165 chrome-plated
2	End connection	1	CW617N UNI-EN 12164 chrome-plated
3	Seal	2	PTFE
4	Ball	1	CW617N UNI-EN 12164 chrome-plated
5	Stem	1	CW617N UNI-EN 12164
6	O-Ring	2	EPDM Perox
7	Handle	1	ABS chrome-plated
8	Screw	1	Stainless steel

DIMENSIONS

A	B	C	D	E	Ø	PN
3/4"	1/2"	62	23	45	10	10

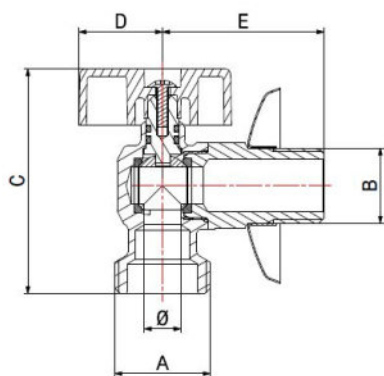
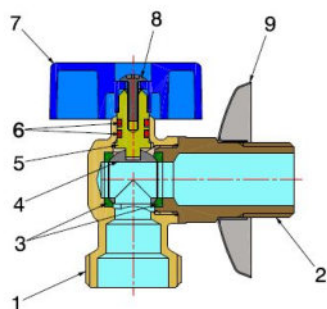
PACKAGING

	3/4"
CODE	78350006
PCS BOX	1
PCS CARTON	150

WASHING MACHINE TAPS

WASHING MACHINE BALL VALVE WITH ROSETTE

7836



- Washing machine ball valve with rosette
- Male thread ISO 228
- Temperature range min 0°C max +80°C

Bibcock suitable for distributing and interrupting fluids that are generally non-corrosive, compatibly with the valve materials. Plumbing and heating systems are the ideal field of application, where it is used as shut-off bibcock before other appliances such as washing machines or dishwashers.

It's a reduced bore valve and the ball seal is guaranteed by two PTFE seats.

The operating mechanism seal features two EPDM Perox O-Rings with an internally installed stem and anti-ejection system.

It is advisable to carry out a complete maneuver cycle at least once every three months in order to prevent limescale deposits that could compromise the valve functioning.

COMPONENTS

POS.	PART NAME	N°	MATERIAL
1	Body	1	CW617N UNI-EN 12165 chrome-plated
2	End connection	1	CW617N UNI-EN 12164 chrome-plated
3	Seal	2	PTFE
4	Ball	1	CW617N UNI-EN 12164 chrome-plated
5	Stem	1	CW617N UNI-EN 12164
6	O-Ring	2	EPDM Perox
7	Handle	1	ABS chrome-plated
8	Screw	1	Stainless steel
9	Rosette	1	Stainless steel

DIMENSIONS

A	B	C	D	E	Ø	PN
3/4"	1/2"	62	23	45	10	10

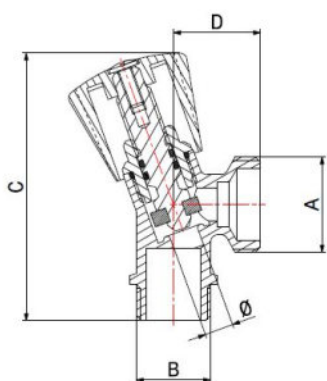
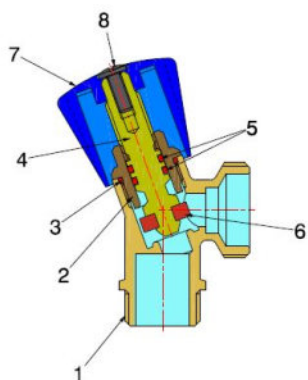
PACKAGING

	3/4"
CODE	78360006
PCS BOX	1
PCS CARTON	100

WASHING-MACHINE TAPS

WASHING-MACHINE TAP

4080



- Washing machine tap
- Male/Male thread ISO 228
- Temperature range min 0°C – max +80°C

Tap suitable for distributing, regulating and interrupting fluids that are generally non-corrosive, compatibly with the valve materials. Plumbing and heating systems are the ideal field of application, where it is used as shut-off tap before other appliances such as washing machines or dishwashers. The seat tightness is guaranteed by a NBR gasket.

COMPONENTS

POS.	PART NAME	N°	MATERIAL
1	Upper part body	1	CW617N UNI-EN 12165 chrome-plated
2	End connection	1	CW617N UNI-EN 12164
3	O-Ring	1	NBR
4	Upper part stem	1	CW617N UNI-EN 12164
5	O-Ring	2	NBR
6	Gasket	1	NBR
7	Handle	1	ABS chrome-plated
8	Screw	1	CW508L UNI-EN 12166 nickel-plated

DIMENSIONS

A	B	C	D	Ø	PN
3/4"	1/2"	74	24	8	10

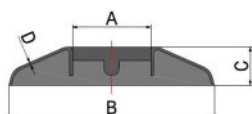
PACKAGING

	3/4"
CODE	40800006
PCS BOX	1
PCS CARTON	150

ACCESSORIES

STAINLESS STEEL ROSETTE

7680



- Stainless steel rosette for under-basin and washing machine taps

DIMENSIONS

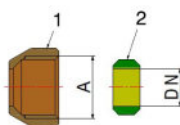
A	B	C	D
21	54	9	0,4

	1/2"
CODE	76800603X790

ACCESSORIES

NUT AND OGIVE

7670XA



- Nut and ogive for under-basin

COMPONENTS

POS.	PART NAME	N°	MATERIAL
1	Nut	1	CW617N UNI-EN 12164 chrome-plated
2	Ogive	1	PTFE

DIMENSIONS

A	DN
3/8"	10
1/2"	14

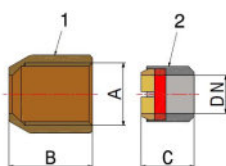
UTILIZATION

	3/8"	1/2"
CODE	76700603XA	76700604XA

ACCESSORIES

LONG NUT AND 3-PIECE OGIVE

7672XA



- Long nut and 3-piece ogive for under-basin

COMPONENTS

POS.	PART NAME	N°	MATERIAL
1	Long nut	1	CW617N UNI-EN 12164 Chrome-plated
2	Ogive 3 pieces	1	CW617N UNI-EN 12164 + NBR + Plastic

DIMENSIONS

A	DN	B	C
3/8"	10	22	14,2

UTILIZATION

3/8"

CODE

76720603XA

PRESSURE REDUCERS

PRESSURE REDUCER

3625



- F/F pressure reducer
- Maximum operating pressure 25 bar
- Temperature range min 0°C – max + 80°C

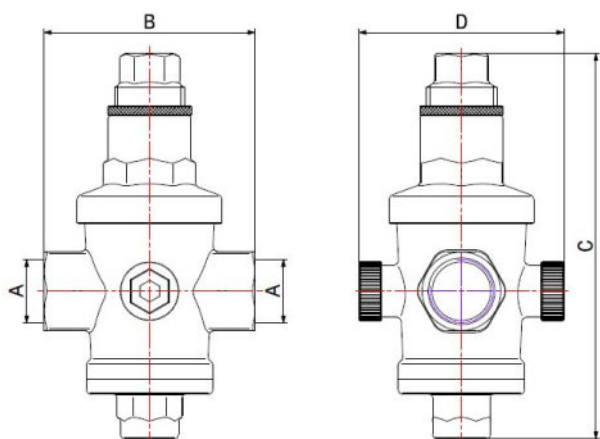
Reducer suitable for regulating downstream pressure of fluids with a medium-low flow. Plumbing, heating, industrial and agricultural sectors are the ideal fields of application.

The seat tightness is guaranteed by a NBR gasket.

The reducer is pre-calibrated in our factory with an outlet pressure of 3 bar.

The regulation range of the outlet pressure from 1/2" to 1" is 0,5 - 5 bar

The regulation range of the outlet pressure from 1 1/4" to 2" is 1 - 5,5 bar



DIMENSIONS

A	B	C	D
1/2"	70	128	68
3/4"	74	128	68
1"	90	160	80
1".1/4	126	230	92
1".1/2	126	230	92
2"	154	260	110

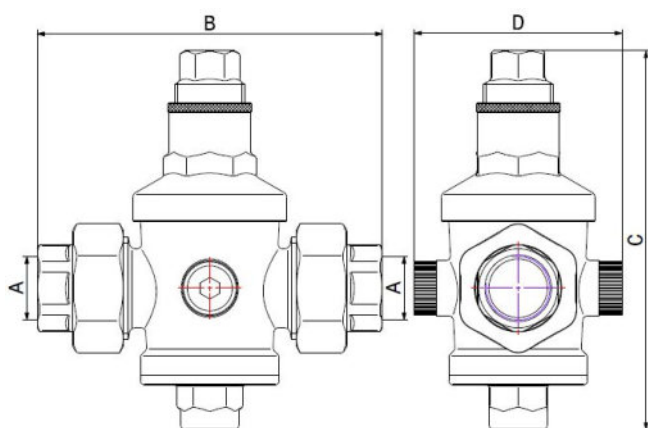
PACKAGING

	1/2"	3/4"	1"	1.1/4"	1.1/2"	2"
CODE	36250004	36250006	36250008	36250010	36250011	36250013
PCS BOX	1	1	1	-	-	-
PCS CARTON	20	20	10	10	10	5

PRESSURE REDUCERS

PRESSURE REDUCER

3626



- Heavy-duty pressure reducer with stainless steel seat and F/F unions
- Maximum operating pressure 25 bar
- Temperature range min 0°C – max +80°C

Reducer suitable for regulating downstream pressure of fluids with a medium-high flow. Plumbing, heating, industrial and agricultural sectors are the ideal fields of application. The stainless steel AISI304 seat tightness is guaranteed by a NBR gasket.

The reducer is pre-calibrated in our factory with an outlet pressure of 3 bar.

The regulation range of the outlet pressure from 1/2" to 1" is 0,5 - 5 bar

The regulation range of the outlet pressure from 1 1/4" to 2" is 1 - 5,5 bar

DIMENSIONS

A	B	C	D
1/2"	118	128	68
3/4"	130	160	80
1"	142	160	80
1".1/4	170	215	95
1".1/2	170	215	95
2"	210	245	120

PACKAGING

	1/2"	3/4"	1"	1.1/4"	1.1/2"	2"
CODE	36260004	36260006	36260008	36260010	36260011	36260013
PCS BOX	1	1	1	-	-	-
PCS CARTON	20	10	10	10	10	5

PRESSURE REDUCERS

PRESSURE REDUCER

3627



- Mini pressure reducer
- Maximum operating pressure 10 bar
- Temperature range min 0°C - max +80°C

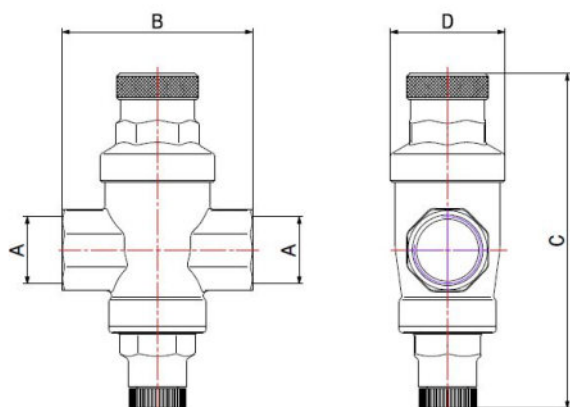
Reducer suitable for regulating downstream pressure of fluids with a low flow.

Plumbing and heating systems are the ideal field of application.

The seat tightness is guaranteed by a NBR gasket.

The reducer is pre-calibrated in our factory with an outlet pressure of 3 bar.

The regulation range of the outlet pressure is 1,2 – 5 bar.



DIMENSIONS

A	B	C	D
1/2"	58	105	35
3/4"	58	105	35

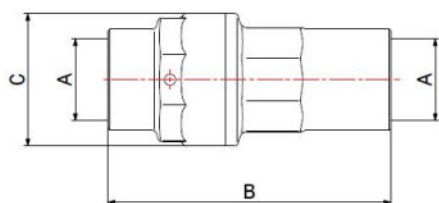
PACKAGING

	1/2"	3/4"
CODE	36270004	36270006
PCS BOX	1	1
PCS CARTON	50	50

PRESSURE REDUCERS

PRESSURE REDUCER

3628



- Simple pressure reducer
- Maximum operating pressure 20 bar
- Temperature range min 0°C - max +80°C

Reducer suitable for regulating downstream pressure of fluids with a low flow.

Plumbing and heating systems are the ideal field of application.

The seat tightness is guaranteed by a NBR gasket.

The reducer is pre-calibrated in our factory with an outlet pressure of 3 bar.

The regulation range of the outlet pressure is 3 – 3,5 bar.

DIMENSIONS

DN	A	B	C
15	1/2"	71	33

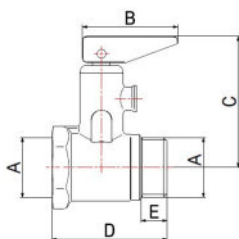
PACKAGING

	1/2"
CODE	36280004
PCS BOX	1
PCS CARTON	50

SAFETY VALVES

SAFETY VALVE

3635



- Water heater safety valve with lever

Valve suitable to control the maximum internal pressure of water heaters.

When the set pressure is reached, the valve discharges the exceeding pressure into the atmosphere, avoiding dangerous pressure values.

The lever allows to check, ideally once a month, the valve proper functioning and, if necessary, to empty the heater.

The valve is pre-calibrated in our factory with a standard opening pressure of 8,5 bar.

DIMENSIONS

A	B	C	D
1/2"	33	65	46
3/4"	33	75	57

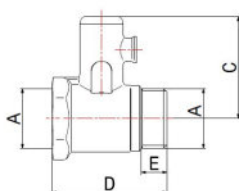
PACKAGING

	1/2"	3/4"
CODE	36350004	36350006
PCS BOX	20	10
PCS CARTON	180	90

SAFETY VALVES

SAFETY VALVE

3636



- 1/2" water heater safety valve

Valve suitable to control the maximum internal pressure of water heaters.

When the set pressure is reached, the valve discharges the exceeding pressure into the atmosphere, avoiding dangerous pressure values.

The valve is pre-calibrated in our factory with a standard opening pressure of 8,5 bar.

DIMENSIONS

A	B	C	D
1/2"	48	40	10
3/4"	62	54	11

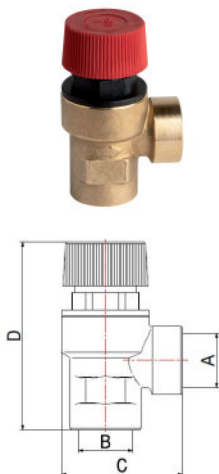
PACKAGING

	1/2"	3/4"
CODE	36360004	36360006
PCS BOX	25	10
PCS CARTON	225	90

SAFETY VALVES

SAFETY VALVE

3630



- ½" F/F boiler safety valve, 3 bar
- Maximum operating pressure 3 bar
- Temperature range min +5°C - max +110°C

Safety valves, suitable for pressure control, have several fields of application as safety components for heat generators and hot water accumulators in plumbing, heating and water systems. When the set pressure is reached (value displayed on the plastic protection cap), the valve discharges the exceeding pressure into the atmosphere, protecting the generator and its components. The seat tightness is guaranteed by a EPDM anti-grip seal to ensure inalterability after prolonged use.

DIMENSIONS

A	B	C	D
3/4"	1/2"	43	80
3/4"	3/4"	50	80

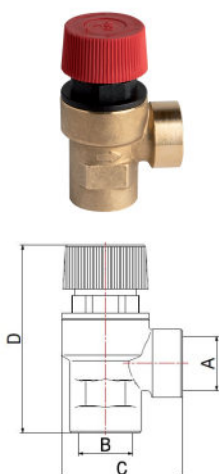
PACKAGING

	1/2"	3/4"
CODE	36300004	36300006
PCS CARTON	12	8
PCS BOX	108	72

SAFETY VALVES

SAFETY VALVE

3631



- ½" F/F boiler safety valve, 6 bar
- Maximum operating pressure 6 bar
- Temperature range min +5°C – max + 110°C

Safety valves, suitable for pressure control, have several fields of application as safety components for heat generators and hot water accumulators in plumbing, heating and water systems. When the set pressure is reached (value displayed on the plastic protection cap), the valve discharges the exceeding pressure into the atmosphere, protecting the generator and its components. The seat tightness is guaranteed by a EPDM anti-grip seal to ensure inalterability after prolonged use.

DIMENSIONS

A	B	C	D
3/4"	1/2"	43	80
3/4"	3/4"	50	80

PACKAGING

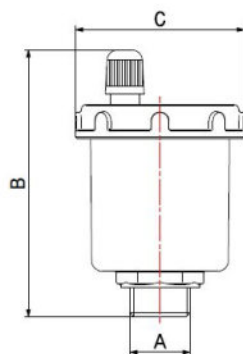
	1/2"	3/4"
CODE	36310004	36310006
PCS BOX	12	8
PCS CARTON	108	72

SAFETY VALVES

RELIEF VALVE

3620

- Automatic relief valve
- Maximum operating pressure 10 bar
- Temperature range min +5°C - max +110°C
- Finishing yellow and nickel-plated



DIMENSIONS

A	B	C
1/4"	76	46
3/8"	76	46
1/2"	76	46

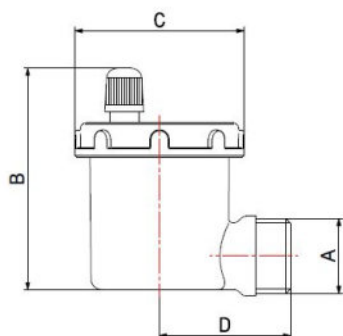
PACKAGING

	1/4"	3/8"	1/2"
NICKEL-PLATED	36200002	36200003	36200004
YELLOW	36200002G	36200003G	36200004G
PCS BOX	16	16	16
PCS CARTON	160	160	160

SAFETY VALVES

RELIEF VALVE

3619



- Automatic relief valve with side connection
- Maximum operating pressure 10 bar
- Temperature range min +5°C - max +110°C
- Finishing yellow and nickel-plated

DIMENSIONS

A	B	C
3/8"	67	37
1/2"	67	37

PACKAGING

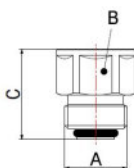
	3/8"	1/2"
NICKEL-PLATED	36190003	36190004
YELLOW	36190003G	36190004G
PIECES PER BOX	10	10
PIECES PER CARTON	100	100

SAFETY VALVES

AUTOMATIC SHUT-OFF VALVE

3621

- Automatic shut-off valve



DIMENSIONS

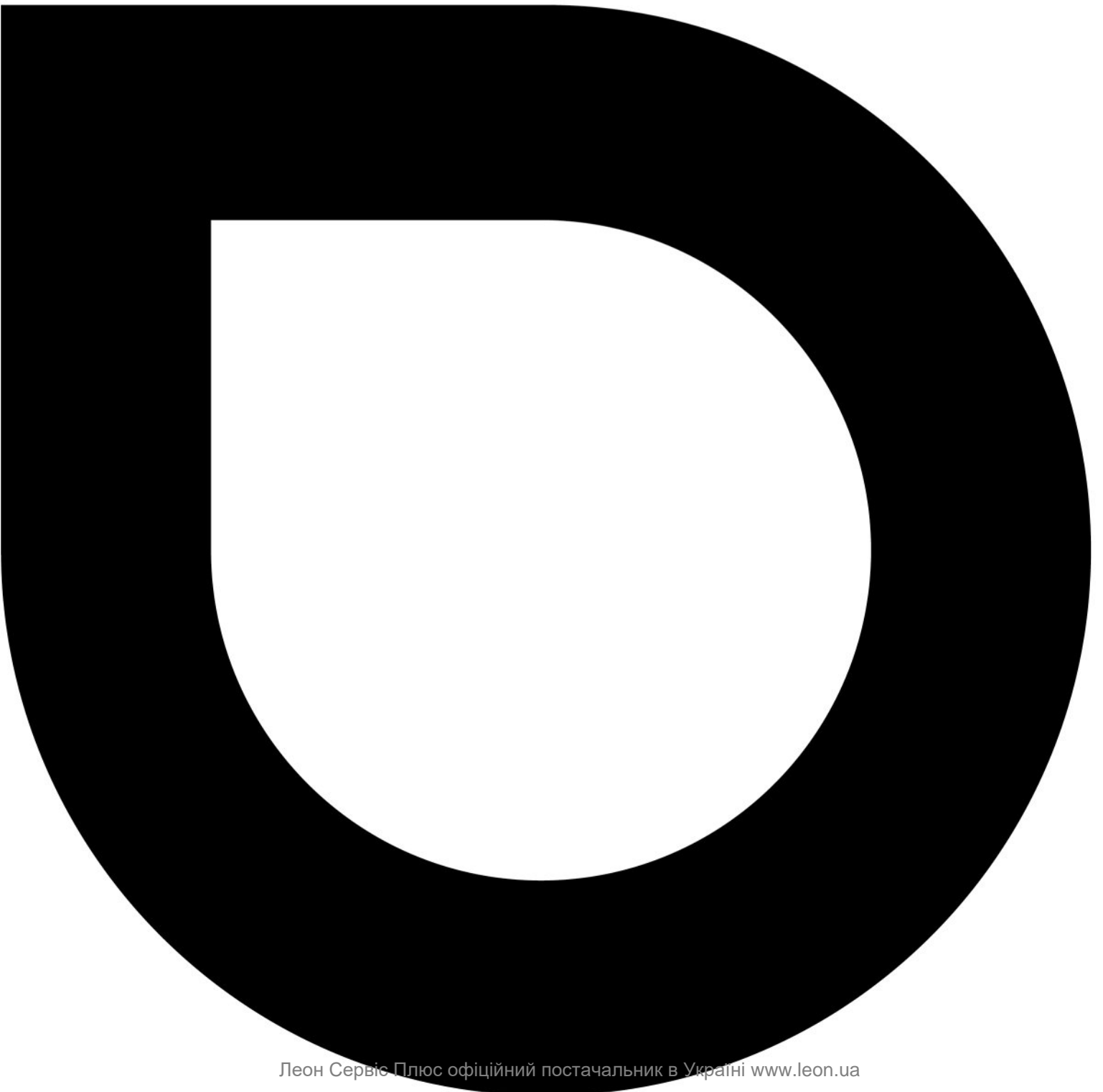
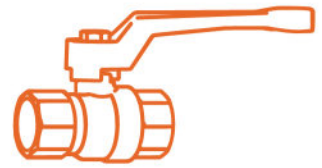
A	B	C
3/8"	19	25
1/2"	23	25

PACKAGING

	3/8"	1/2"
CODE	36210003	36210004
PCS BOX	50	50
PCS CARTON	1000	1000



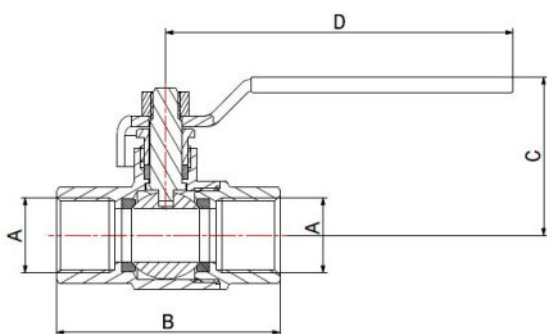
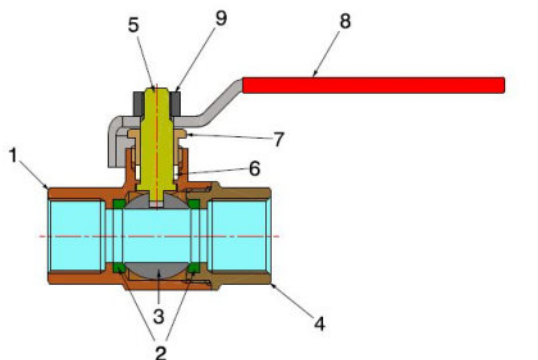
03
**BRONZE
VALVES**



BALL VALVES

RENO MM

1300



- F/F bronze ball valve with iron lever
- Thread ISO 228 - on request EN10226-1- NPT
- Temperature range min -10°C - max +120°C / min 14°F - max +248°F

Valve suitable for distributing and interrupting fluids that could cause dezincification problems, therefore it is especially recommended in harsh environments, such as marine ones. Shipbuilding, plumbing, heating and industrial sectors are the ideal fields of application. It's a full bore valve and the ball seal is guaranteed by two PTFE seats. The operating mechanism seal features a PTFE ring and an adjustable gland with an internally installed stem and an anti-ejection system. It is advisable to carry out a complete maneuver cycle at least once every three months in order to prevent limescale deposits that could compromise the valve functioning.

COMPONENTS

POS.	PART NAME	N°	MATERIAL
1	Body	1	CC491K UNI-EN 1982:2000
2	Seal	2	PTFE
3	Ball	1	CW617N UNI-EN 12165 chrome-plated
4	End connection	1	CC491K UNI-EN 1982:2000
5	Stem	1	CW617N UNI-EN 12164
6	Gland packing	1	PTFE
7	Gland	1	CW617N UNI-EN 12164
8	Lever	1	Galvanised iron and PVC coated
9	Nut	1	Galvanised iron

DIMENSIONS MM

DN	A	B	C	D	PN
8	1/4"	51	47,5	85	32
10	3/8"	51	47,5	85	32
15	1/2"	62	45	85	32
20	3/4"	70	57,5	104	32
25	1"	85	57,5	104	32
32	1.1/4"	99	75	122	32
40	1.1/2"	110	77,5	122	32
50	2"	134	93	153	32
65	2.1/2"	142	119,5	200	25
80	3"	178	134	280	25
100	4"	210	153,5	280	20

PRESSURE DROP see chart at the end of catalogue

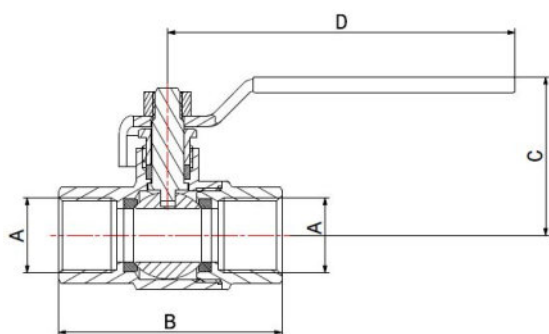
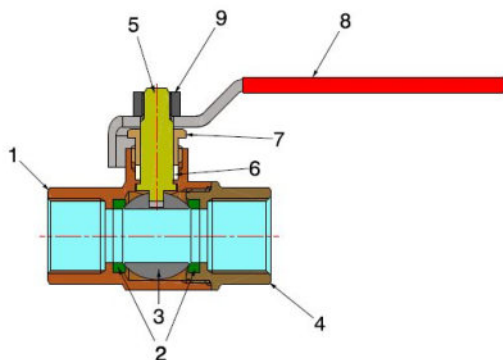
PACKAGING

	1/4"	3/8"	1/2"	3/4"	1"	1.1/4"	1.1/2"	2"	2.1/2"	3"	4"
CODE	13000102R	13000103R	13000104R	13000106R	13000108R	13000110R	13000111R	13000113R	13000115R	13000117R	13000119R
PCS BOX	30	25	20	15	8	-	-	-	-	-	-
PCS CARTON	150	175	120	90	48	30	25	10	8	4	2

BALL VALVES

RENO - INCHES

1300



COMPONENTS

POS.	PART NAME	N°	MATERIAL
1	Body	1	CC491K UNI-EN 1982:2000
2	Seal	2	PTFE
3	Ball	1	CW617N UNI-EN 12165 chrome-plated
4	End connection	1	CC491K UNI-EN 1982:2000
5	Stem	1	CW617N UNI-EN 12164
6	Gland packing	1	PTFE
7	Gland	1	CW617N UNI-EN 12164
8	Lever	1	Galvanised iron and PVC coated
9	Nut	1	Galvanised iron

DIMENSIONS INCHES

A	B	C	D	PSI
1/4"	2,008	1,870	3,346	500
3/8"	2,008	1,870	3,346	500
1/2"	2,441	1,771	3,346	500
3/4"	2,756	2,264	4,094	500
1"	3,346	2,264	4,094	500
1.1/4	3,898	2,953	4,803	500
1.1/2"	4,331	3,051	4,803	500
2"	5,275	3,661	6,024	500
2.1/2"	5,950	4,705	7,874	400
3"	7,008	5,276	11,024	400
4"	8,268	6,043	11,024	400

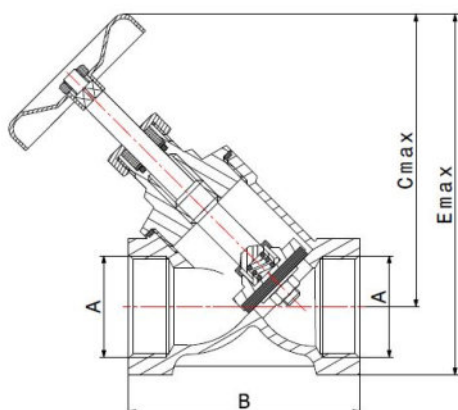
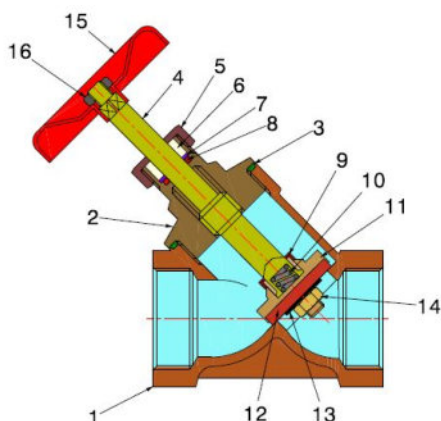
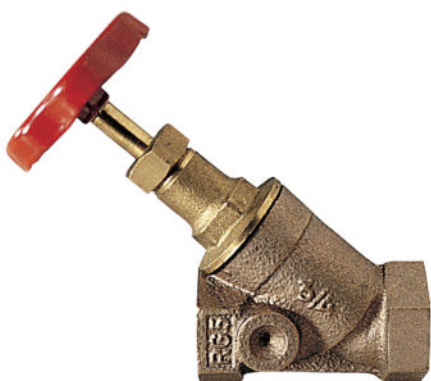
PACKAGING

	1/4"	3/8"	1/2"	3/4"	1"	1.1/4"	1.1/2"	2"	2.1/2"	3"	4"
CODE	13000102R	13000103R	13000104R	13000106R	13000108R	13000110R	13000111R	13000113R	13000115R	13000117R	13000119R
PCS BOX	30	25	20	15	8	-	-	-	-	-	-
PCS CARTON	150	175	120	90	48	30	25	10	8	4	2

STOP VALVES

BRONZE ANGLE-SEAT VALVE

2121



- F/F bronze angle-seat valve
- Female thread ISO 228
- Maximum temperature saturated steam + 160°C
- Temperature range min - 10°C - max + 100°C

Valve suitable for distributing and interrupting fluids that could cause dezincification problems, therefore it is especially recommended in harsh environments, such as marine ones. Shipbuilding, plumbing, heating and industrial sectors are the ideal fields of application.

The seat tightness is guaranteed by a PTFE seal.

COMPONENTS

POS.	PART NAME	N°	MATERIAL
1	Body	1	Bronze CC491K UNI-EN 1982:2000
2	Upper part body	1	CW617N UNI-EN 12165
3	Head gasket	1	PTFE
4	Upper part stem	1	CW617N UNI-EN 12164
5	Nut gland	1	CW617N UNI-EN 12164
6	Cylinder	1	Carbon filled PTFE
7	Washer	1	CW617N UNI-EN 12164
8	O-Ring	1	Viton®
9	Ring	1	CW617N UNI-EN 12164
10	Spring	1	AISI 302 stainless steel
11	Gasket holder	1	CW617N UNI-EN 12164
12	Seal gasket	1	Carbon filled PTFE
13	Stop washer seal	1	CW617N UNI-EN 12164
14	Nut	1	CW617N UNI-EN 12164
15	Handwheel	1	Red lacquered iron
16	Nut	1	Galvanised iron

N.B.: References 9 and 10 are not available in sizes 3/8" to 1"

DIMENSIONS

DN	A	B	Cmax	D	Emax	PN
10	3/8"	53	78	50	91	16
15	1/2"	57	81	50	96	16
20	3/4"	66	96	55	115	16
25	1"	75	110	55	132	16
32	1.1/4"	90	128	60	156	16
40	1.1/2"	104	149	70	181	16
50	2"	123	181	100	221	16

PACKAGING

	3/8"	1/2"	3/4"	1"	1.1/4"	1.1/2"	2"
CODE	2121610C00	2121610D00	2121610E00	2121610F00	2121610G00	2121610H00	2121610I00
PCS BOX	10	10	10	6	-	-	-
PCS CARTON	96	60	60	36	30	20	10

STOP VALVES

BRONZE ANGLE-SEAT VALVE

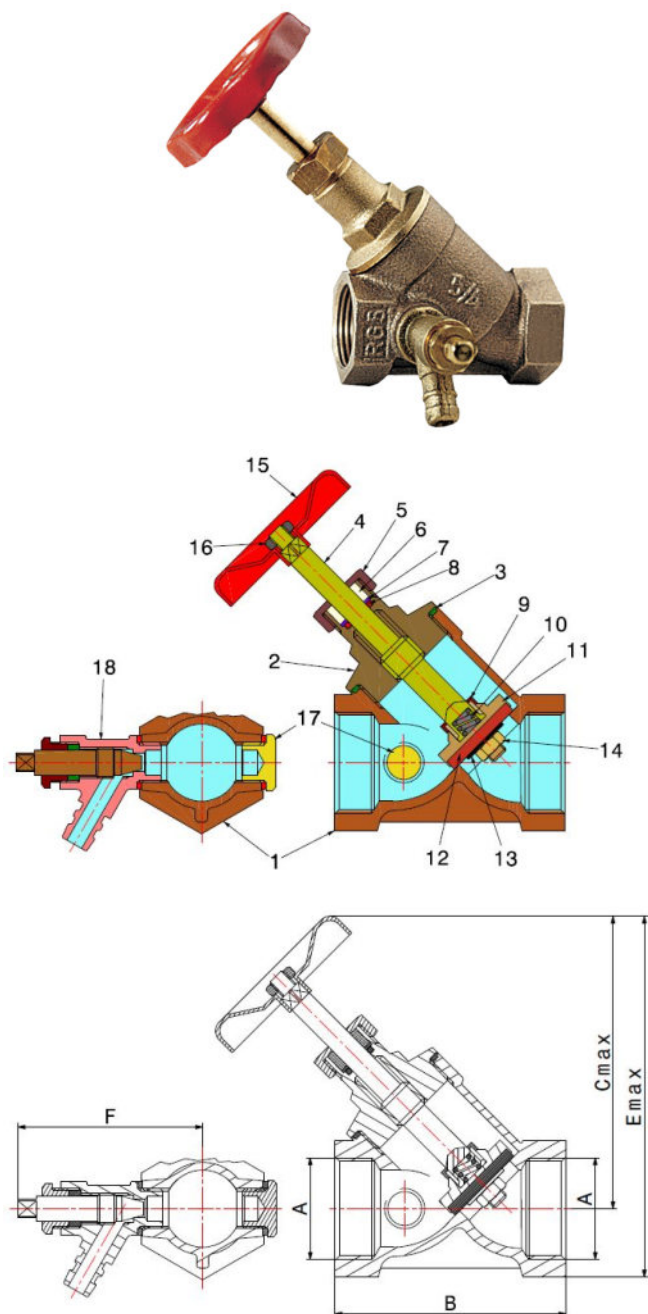
2131



- F/F bronze angle-seat valve with drain cock
- Female thread ISO 228
- Temperature range:
 - Water min - 10°C - max + 100°C with drain cock closed
 - Saturated steam - max + 150°C with drain cock closed

Valve suitable for distributing and interrupting fluids that could cause dezincification problems, therefore it is especially recommended in harsh environments, such as marine ones. Shipbuilding, plumbing, heating and industrial sectors are the ideal fields of application.

The seat tightness is guaranteed by a PTFE seal.



COMPONENTS

POS.	PART NAME	N°	MATERIAL
1	Body	1	Bronze CC491K UNI-EN 1982:2000
2	Upper part body	1	CW617N UNI-EN 12165
3	Head gasket	1	PTFE
4	Upper part stem	1	CW617N UNI-EN 12164
5	Nut gland	1	CW617N UNI-EN 12164
6	Cylinder	1	Carbon filled PTFE
7	Washer	1	CW617N UNI-EN 12164
8	O-Ring	1	Viton®
9	Ring	1	CW617N UNI-EN 12164
10	Spring	1	AISI 302 stainless steel
11	Gasket holder	1	CW617N UNI-EN 12164
12	Seal gasket	1	Carbon filled PTFE
13	Stop washer seal	1	CW617N UNI-EN 12164
14	Nut	1	CW617N UNI-EN 12164
15	Handwheel	1	Red lacquered iron
16	Nut	1	Galvanised iron
17	Cap with gasket	1	See code 21310002XA
18	Drain cock	1	See code 34110002

N.B.: References 9 and 10 are not available in sizes 3/8" to 1"

DIMENSIONS

DN	A	B	Cmax	D	Emax	F	PN
10	3/8"	53	78	50	91	60	16
15	1/2"	57	81	50	96	60	16
20	3/4"	66	96	55	115	63	16
25	1"	75	110	55	132	67	16
32	1.1/4"	90	128	60	156	72	16
40	1.1/2"	104	149	70	181	75	16
50	2"	123	181	100	221	82	16

PACKAGING

	3/8"	1/2"	3/4"	1"	1.1/4"	1.1/2"	2"
CODE	2131610C00	2131610D00	2131610E00	2131610F00	2131610G00	2131610H00	2131610I00
PCS BOX	10	10	8	6	-	-	-
PCS CARTON	80	60	48	36	20	15	10

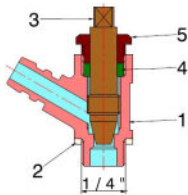
ACCESSORIES

DRAIN COCK

3411



- Drain cock with gasket for series 2131 bronze valve
- Thread ISO 228
- Finishing yellow
- Maximum pressure PN16

**COMPONENTS**

POS.	PART NAME	N°	MATERIAL
1	Drain cock body	1	CW617N UNI-EN 12165
2	Gasket	1	Klinger C6307
3	Stem	1	CW617N UNI-EN 12164
4	Gasket	1	PVC
5	Gland	1	CW617N UNI-EN 12164

1/4"

CODE

34110002

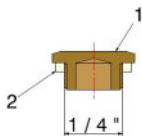
ACCESSORIES

CAP WITH GASKET

2131XA



- Cap with gasket for series 2131 valves
- Finishing yellow
- Thread ISO 228

**COMPONENTS**

POS.	PART NAME	N°	MATERIAL
1	Cap	1	CW617N UNI-EN 12164
2	Gasket	1	Klinger C6307

1/4"

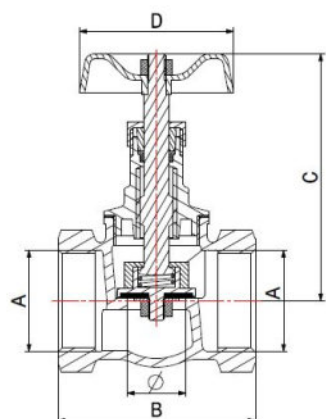
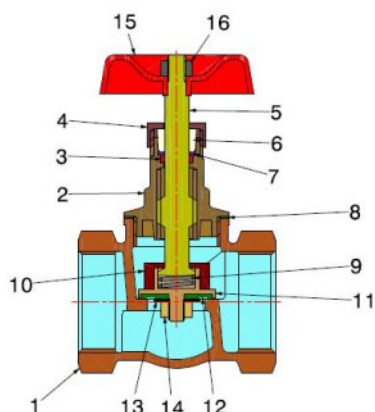
CODE

21310002XA

GLOBE VALVES

BRONZE GLOBE VALVE WITH PTFE SEAT

2101



- Bronze globe valve with PTFE seat
- Thread ISO 228 - NPT on request
- Nominal pressure max PN16
- Water temperature range min 0°C-max +100°C/min +32°F-max +212°F
- Saturated steam temperature max +170°C / max +338°F

Valve suitable for distributing, regulating and interrupting air, steam or fluids that could cause dezincification problems, therefore it is especially recommended in harsh environments, such as marine ones. Shipbuilding, plumbing, heating and industrial sectors are the ideal fields of application. The seat is guaranteed by a PTFE seal.

COMPONENTS

POS.	PART NAME	N°	MATERIAL
1	Body	1	Bronze CC491K UNI-EN 1982:2000
2	Upper part	1	CW617N UNI-EN 12165
3	O-Ring	1	Viton®
4	Nut gland	1	CW617N UNI-EN 12165
5	Stem	1	CW617N UNI-EN 12164
6	Cylinder	1	PTFE
7	Stop washer O-Ring	1	CW617N UNI-EN 12164
8	Head gasket	1	PTFE
9	Spring	1	AISI 302 stainless steel
10	Ring	1	CW617N UNI-EN 12165
11	Seal	1	CW617N UNI-EN 12165
12	Seal gasket	1	PTFE
13	Washer	1	CW617N UNI-EN 12164
14	Nut for washer	1	CW617N UNI-EN 12164
15	Handwheel	1	Red lacquered iron
16	Handwheel retaining nut	1	Galvanised iron

N.B.: References 9 and 10 are not available in sizes 1/4" to 1.1/4"

DIMENSIONS MM

DN	A	B	C	D	Ø	PN
10	3/8"	50	70	50	11	16
15	1/2"	50	71	50	11	16
20	3/4"	55	77	50	13	16
25	1"	64	90	60	19	16
32	1.1/4"	73	103	60	23	16
40	1.1/2"	83	113	70	29	16
50	2"	88	132	80	36	16
65	2.1/2"	150	209	120	62	16

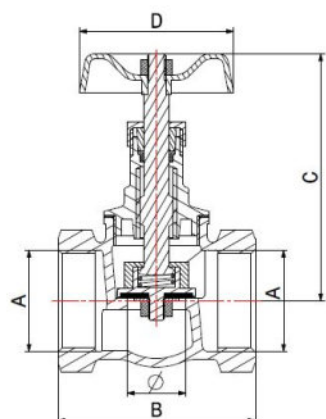
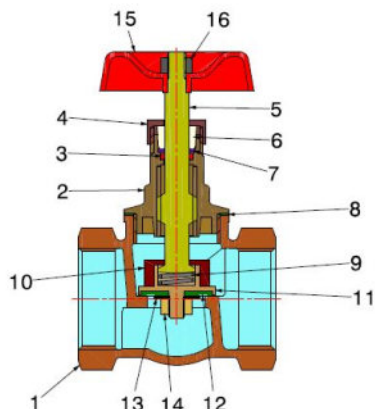
PACKAGING

	3/8"	1/2"	3/4"	1"	1.1/4"	1.1/2"	2"	2.1/2"
CODE	2101610C00	2101610D00	2101610E00	2101610F00	2101610G00	2101610H00	2101610I00	2101610J00
PCS BOX	12	12	8	6	-	-	-	-
PCS CARTON	96	96	64	48	50	30	20	10

GLOBE VALVES

**BRONZE GLOBE VALVE
WITH PTFE SEAT - INCHES**

2101



COMPONENTS

POS.	PART NAME	N°	MATERIAL
1	Body	1	Bronze CC491K UNI-EN 1982:2000
2	Upper part	1	CW617N UNI-EN 12165
3	O-Ring	1	Viton®
4	Nut gland	1	CW617N UNI-EN 12165
5	Stem	1	CW617N UNI-EN 12164
6	Cylinder	1	PTFE
7	Stop washer O-Ring	1	CW617N UNI-EN 12164
8	Head gasket	1	PTFE
9	Spring	1	AISI 302 stainless steel
10	Ring	1	CW617N UNI-EN 12165
11	Seal	1	CW617N UNI-EN 12165
12	Seal gasket	1	PTFE
13	Washer	1	CW617N UNI-EN 12164
14	Nut for washer	1	CW617N UNI-EN 12164
15	Handwheel	1	Red lacquered iron
16	Handwheel retaining nut	1	Galvanised iron

N.B.: References 9 and 10 are not available in sizes 1/4" to 1.1/4"

DIMENSIONS INCHES

A	B	C	D	Ø	PSI
3/8"	1,969	2,756	1,969	0,433	200
1/2"	1,969	2,795	1,969	0,433	200
3/4"	2,165	3,031	1,969	0,512	200
1"	2,520	3,543	2,362	0,748	200
1.1/4"	2,874	4,055	2,362	0,906	200
1.1/2"	3,268	4,449	2,756	1,142	200
2"	3,465	5,197	3,150	1,417	200
2.1/2"	5,906	8,228	4,724	2,441	200

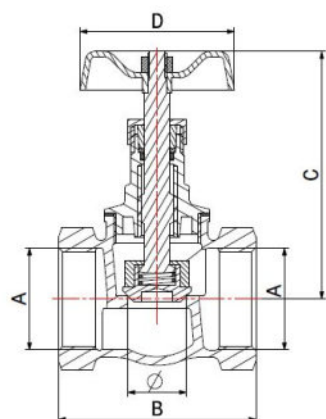
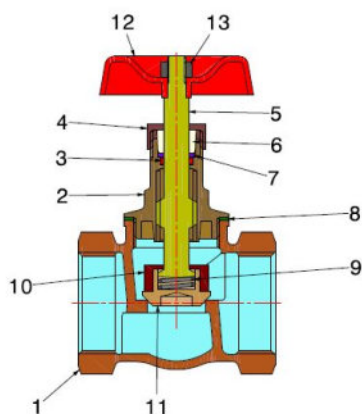
PACKAGING

	3/8"	1/2"	3/4"	1"	1.1/4"	1.1/2"	2"	2.1/2"
CODE	2101610C00	2101610D00	2101610E00	2101610F00	2101610G00	2101610H00	2101610I00	2101610J00
PCS BOX	12	12	8	6	-	-	-	-
PCS CARTON	96	96	64	48	50	30	20	10

GLOBE VALVES

BRONZE GLOBE VALVE WITH METAL SEAT

2100



- Globe valve with metal seat
- Thread ISO 228 - NPT on request
- Nominal pressure max PN16
- Water temperature range min 0°C - max +100°C / min +32°F - max +212°F
- Saturated steam temperature max +170°C / max +338°F

Valve suitable for distributing and regulating air, steam or fluids that could cause dezincification problems, therefore it is especially recommended in harsh environments, such as marine ones. Shipbuilding, plumbing, heating and industrial sectors are the ideal fields of application.

The seat tightness is guaranteed by a metal-to-metal seal.

COMPONENTS

POS.	PART NAME	N°	MATERIAL
1	Body	1	Bronze CC491K UNI-EN 1982:2000
2	Upper part	1	CW617N UNI-EN 12165
3	O-Ring	1	NBR
4	Nut gland	1	CW617N UNI-EN 12165
5	Stem	1	CW617N UNI-EN 12164
6	Cylinder	1	PTFE
7	Stop washer O-Ring	1	CW617N UNI-EN 12164
8	Head gasket	1	PTFE
9	Spring	1	AISI 302 stainless steel
10	Ring	1	CW617N UNI-EN 12165
11	Metal seal	1	CW617N UNI-EN 12165
12	Handwheel	1	Red lacquered iron
13	Handwheel retaining nut	1	Galvanised iron

N.B.: References 9 and 10 are not available in sizes 1/4" to 1.1/4"

DIMENSIONS MM

DN	A	B	C	D	Ø	PN
10	3/8"	50	70	50	11	16
15	1/2"	50	71	50	11	16
20	3/4"	55	77	50	13	16
25	1"	64	90	60	19	16
32	1.1/4"	73	103	60	23	16
40	1.1/2"	83	113	70	29	16
50	2"	88	132	80	36	16
65	2.1/2"	150	209	120	62	16

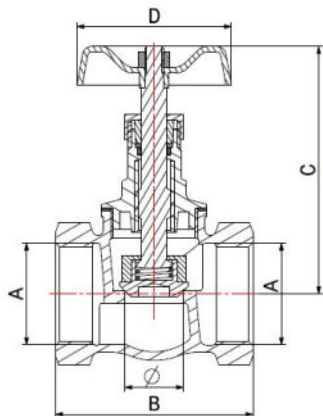
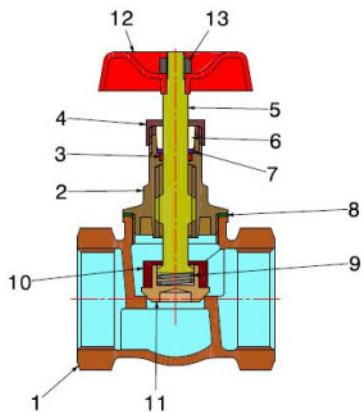
PACKAGING

	3/8"	1/2"	3/4"	1"	1.1/4"	1.1/2"	2"	2.1/2"
CODE	2100610C00	2100610D00	2100610E00	2100610F00	2100610G00	2100610H00	2100610I00	2100610J00
PCS BOX	12	12	8	6	-	-	-	-
PCS CARTON	96	96	64	48	50	30	20	10

GLOBE VALVES

BRONZE GLOBE VALVE WITH METAL SEAT - INCHES

2100



COMPONENTS

POS.	PART NAME	N°	MATERIAL
1	Body	1	Bronze CC491K UNI-EN 1982:2000
2	Upper part	1	CW617N UNI-EN 12165
3	O-Ring	1	NBR
4	Nut gland	1	CW617N UNI-EN 12165
5	Stem	1	CW617N UNI-EN 12164
6	Cylinder	1	PTFE
7	Stop washer O-Ring	1	CW617N UNI-EN 12164
8	Head gasket	1	PTFE
9	Spring	1	AISI 302 stainless steel
10	Ring	1	CW617N UNI-EN 12165
11	Metal seal	1	CW617N UNI-EN 12165
12	Handwheel	1	Red lacquered iron
13	Handwheel retaining nut	1	Galvanised iron

N.B.: References 9 and 10 are not available in sizes 1/4" to 1.1/4"

DIMENSIONS INCHES

A	B	C	D	Ø	PSI
3/8"	1,969	2,756	1,969	0,433	200
1/2"	1,969	2,795	1,969	0,433	200
3/4"	2,165	3,031	1,969	0,512	200
1"	2,520	3,543	2,362	0,748	200
1.1/4"	2,874	4,055	2,362	0,906	200
1.1/2"	3,268	4,449	2,756	1,142	200
2"	3,465	5,197	3,150	1,417	200
2.1/2"	5,906	8,228	4,724	2,441	200

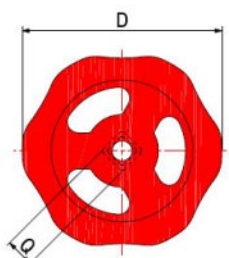
PACKAGING

	3/8"	1/2"	3/4"	1"	1.1/4"	1.1/2"	2"	2.1/2"
CODE	2100610C00	2100610D00	2100610E00	2100610F00	2100610G00	2100610H00	2100610I00	2100610J00
PCS BOX	12	12	8	6	-	-	-	-
PCS CARTON	96	96	64	48	50	30	20	10

ACCESSORIES

RED IRON HANDWHEEL

210000R



- Red iron handwheel for stop valves and globe valves

TO USE WITH: 21000004R990

2100	1/4"-3/8"-1/2"-3/4"
2101	1/4"-3/8"-1/2"-3/4"
2121	3/8"-1/2"
2131	3/8"-1/2"

TO USE WITH: 21210006R990

2121	3/4"-1"
2131	3/4"-1"

TO USE WITH: 21000008R990

2100	1"-1.1/4"
2101	1"-1.1/4"
2121	1.1/4"
2131	1.1/4"

TO USE WITH: 21000011R990

2100	1.1/2"
2101	1.1/2"
2121	1.1/2"
2131	1.1/2"

TO USE WITH: 21000013R990

2100	2"
2101	2"

TO USE WITH: 21000015R990

2121	2"
2131	2"

TO USE WITH: 21000017R990

2100	2.1/2"-3"
2101	2.1/2"-3"

TO USE WITH: 21000019R990

2100	4"
2101	4"

DIMENSIONS

	D=50 Q=6	D=55 Q=6	D=60 Q=6	D=70 Q=7	D=80 Q=8	D=100 Q=10	D=120 Q=12	D=140 Q=14
CODE	21000004R990	21210006R990	21000008R990	21000011R990	21000013R990	21000015R990	21000017R990	21000019R990

SWING CHECK VALVES

BRONZE SWING CHECK VALVE RUBBER SEAT

3011



- Bronze swing check valve rubber seat
- Female/Female thread ISO 228 - NPT Female/Female thread on request
- Temperature range min 0°C - max + 95°C / min +32°F - max +203°F

Valve properly used when it performs a non-return function for fluids that could cause dezincification problems, therefore it is especially recommended in harsh environments, such as marine ones. Shipbuilding, plumbing, heating and industrial sectors are the ideal fields of application. The flow direction is indicated by an arrow on the valve body, while the installation can be in horizontal or vertical position.

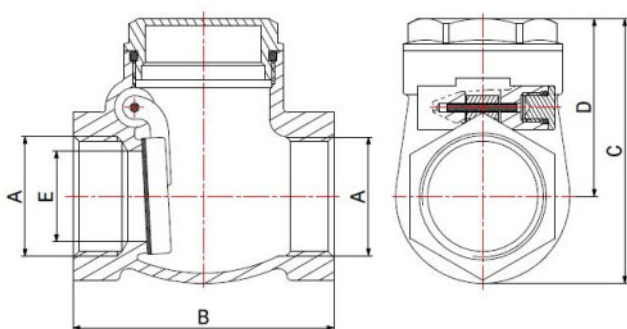
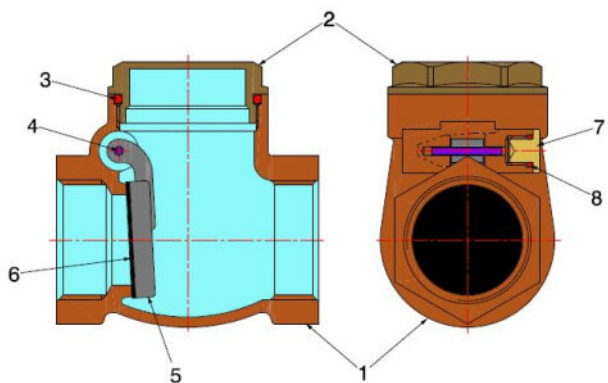
The seat tightness is guaranteed by a NBR seal.

COMPONENTS

POS.	PART NAME	N°	MATERIAL
1	Body	1	Bronze CC491K UNI-EN 1982:2000
2	Cap	1	CW617N (1/2") UNI-EN 12164 - CW617N (from 3/4" to 4") UNI-EN 12165
3	Cap O-Ring	1	NBR
4	Pin	1	CW617N UNI-EN 12164
5	Clapet	1	CW617N UNI-EN 12165
6	Clapet gasket	1	NBR
7	M8 Cap	1	CW617N UNI-EN 12164
8	O-Ring	1	NBR

DIMENSIONS MM

DN	A	B	C	D	E	PN
15	1/2"	55	53	36	14	16
20	3/4"	62	64	43	20	16
25	1"	72	73	49	25	16
32	1.1/4"	82	85	57	30	16
40	1.1/2"	90	95	63	35	16
50	2"	105	107	69	47	16
65	2.1/2"	125	128	82	60	16
80	3"	144	145	91	74	16
100	4"	176	192	123	95	16



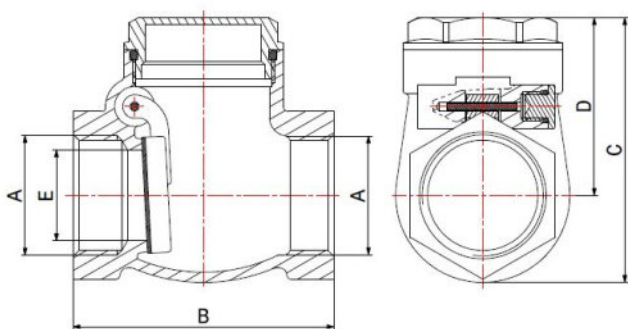
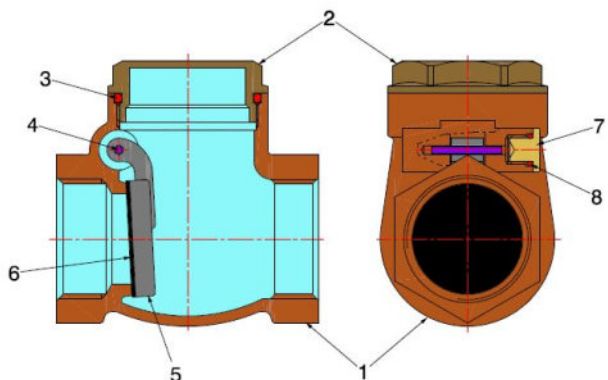
PACKAGING

	1/2"	3/4"	1"	1.1/4"	1.1/2"	2"	2.1/2"	3"	4"
CODE	3011010D00	3011010E00	3011010F00	3011010G00	3011010H00	3011010I00	3011010J00	3011010K00	3011010M00
PCS BOX	15	10	6	-	-	-	-	-	-
PCS CARTON	120	80	48	40	35	20	14	6	4

SWING CHECK VALVES

BRONZE SWING CHECK VALVE RUBBER SEAT - INCHES

3011



COMPONENTS

POS.	PART NAME	N°	MATERIAL
1	Body	1	Bronze CC491K UNI-EN 1982:2000
2	Cap	1	CW617N (1/2") UNI-EN 12164 - CW617N (from 3/4" to 4") UNI-EN 12165
3	Cap O-Ring	1	NBR
4	Pin	1	CW617N UNI-EN 12164
5	Clapet	1	CW617N UNI-EN 12165
6	Clapet gasket	1	NBR
7	M8 Cap	1	CW617N UNI-EN 12164
8	O-Ring	1	NBR

DIMENSIONS INCHES

A	B	C	D	E	PSI
1/2"	2,165	2,087	1,417	0,551	200
3/4"	2,441	2,520	1,693	0,787	200
1"	2,835	2,874	1,929	0,984	200
1.1/4"	3,228	3,346	2,244	1,181	200
1.1/2"	3,543	3,740	2,480	1,378	200
2"	4,134	4,213	2,717	1,850	200
2.1/2"	4,921	5,039	3,228	2,362	200
3"	5,669	5,709	3,583	2,913	200
4"	6,929	7,559	4,843	3,740	200

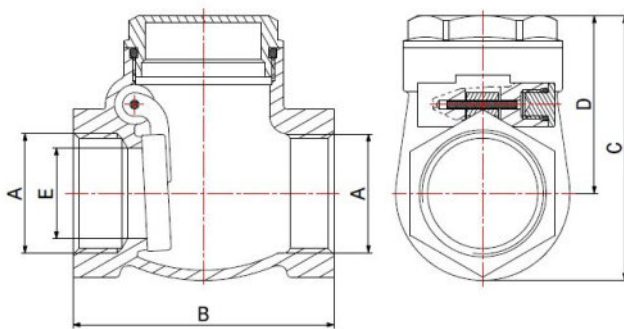
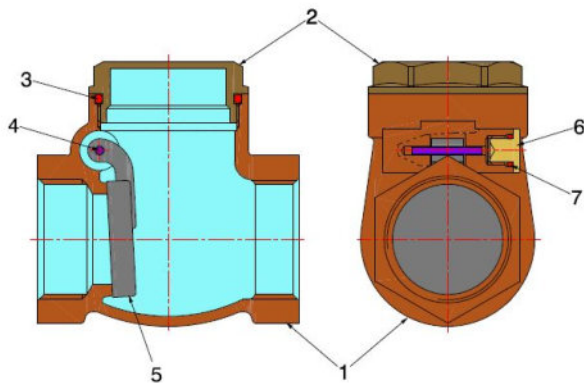
PACKAGING

	1/2"	3/4"	1"	1.1/4"	1.1/2"	2"	2.1/2"	3"	4"
CODE	3011010D00	3011010E00	3011010F00	3011010G00	3011010H00	3011010I00	3011010J00	3011010K00	3011010M00
PCS BOX	15	10	6	-	-	-	-	-	-
PCS CARTON	120	80	48	40	35	20	14	6	4

SWING CHECK VALVES

BRONZE SWING CHECK VALVE METAL SEAT

3010



- Bronze swing check valve metal seat
- Female/Female thread ISO 228 - NPT Female/Female thread on request
- Temperature range min 0°C - max + 95°C / min +32°F - max +203°F

Valve properly used when it performs a non-return function for fluids that could cause dezincification problems, therefore it is especially recommended in harsh environments, such as marine ones. Shipbuilding, plumbing, heating and industrial sectors are the ideal fields of application. The flow direction is indicated by an arrow on the valve body, while the installation can be in horizontal or vertical position.

The seat tightness is guaranteed by a metal-to-metal seal.

COMPONENTS

POS.	PART NAME	N°	MATERIAL
1	Body	1	Bronze CC491K UNI-EN 1982:2000
2	Cap	1	CW617N (1/2") UNI-EN 12164 - CW617N (da 3/4" a 4") UNI-EN 12165
3	Cap O-Ring	1	NBR
4	Pin	1	CW617N UNI-EN 12164
5	Clapet	1	CW617N UNI-EN 12165
6	M8 Cap	1	CW617N UNI-EN 12164
7	O-Ring	1	NBR

DIMENSIONS MM

DN	A	B	C	D	E	PN
15	1/2"	55	53	36	14	16
20	3/4"	62	64	43	20	16
25	1"	72	73	49	25	16
32	1.1/4"	82	85	57	30	16
40	1.1/2"	90	95	63	35	16
50	2"	105	107	69	47	16
65	2.1/2"	125	128	82	60	16
80	3"	144	145	91	74	16
100	4"	176	192	123	95	16

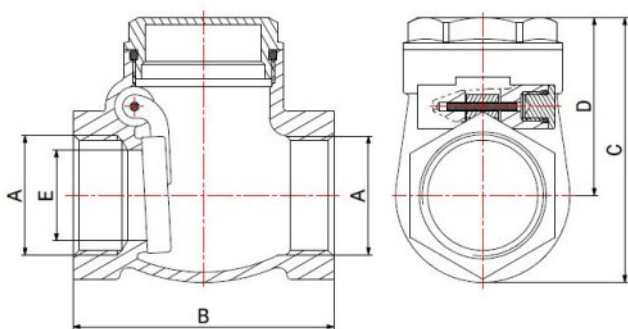
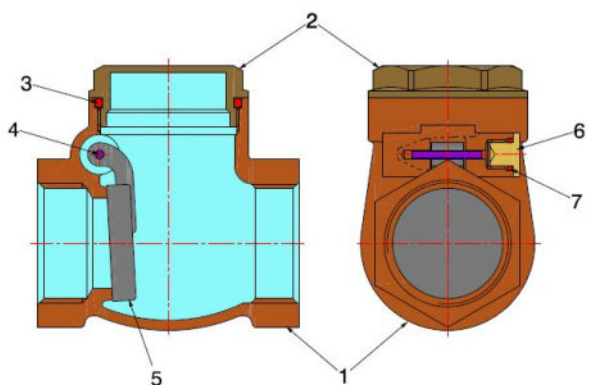
PACKAGING

	1/2"	3/4"	1"	1.1/4"	1.1/2"	2"	2.1/2"	3"	4"
CODE	3010010D00	3010010E00	3010010F00	3010010G00	3010010H00	3010010I00	3010010J00	3010010K00	3010010M00
PCS BOX	15	10	6	-	-	-	-	-	-
PCS CARTON	120	80	48	40	35	20	14	6	4

SWING CHECK VALVES

BRONZE SWING CHECK VALVE METAL SEAT - INCHES

3010



COMPONENTS

POS.	PART NAME	N°	MATERIAL
1	Body	1	Bronze CC491K UNI-EN 1982:2000
2	Cap	1	CW617N (1/2') UNI-EN 12164 - CW617N (da 3/4" a 4") UNI-EN 12165
3	Cap O-Ring	1	NBR
4	Pin	1	CW617N UNI-EN 12164
5	Clapet	1	CW617N UNI-EN 12165
6	M8 Cap	1	CW617N UNI-EN 12164
7	O-Ring	1	NBR

DIMENSIONS INCHES

A	B	C	D	E	PSI
1/2"	2,165	2,087	1,417	0,551	200
3/4"	2,441	2,520	1,693	0,787	200
1"	2,835	2,874	1,929	0,984	200
1.1/4"	3,228	3,346	2,244	1,181	200
1.1/2"	3,543	3,740	2,480	1,378	200
2"	4,134	4,213	2,717	1,850	200
2.1/2"	4,921	5,039	3,228	2,362	200
3"	5,669	5,709	3,583	2,913	200
4"	6,929	7,559	4,843	3,740	200

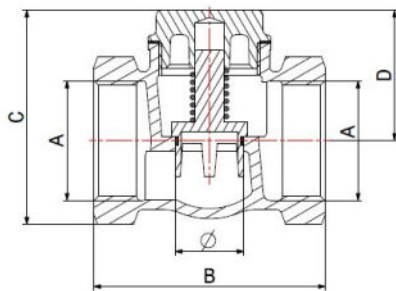
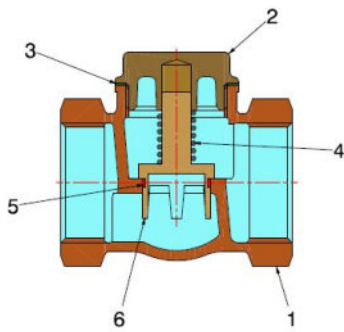
PACKAGING

	1/2"	3/4"	1"	1.1/4"	1.1/2"	2"	2.1/2"	3"	4"
CODE	3010010D00	3010010E00	3010010F00	3010010G00	3010010H00	3010010I00	3010010J00	3010010K00	3010010M00
PCS BOX	15	10	6	-	-	-	-	-	-
PCS CARTON	120	80	48	40	35	20	14	6	4

CHECK VALVES

**HORIZONTAL VALVE
RUBBER SEAT**

3001



- Horizontal valve rubber seat
- Thread ISO 228 - on request NPT
- Temperature range min -10°C - max +100°C / min +14°F -max +212°F

Valve properly used when it performs a non-return function for fluids that could cause dezincification problems, therefore it is especially recommended in harsh environments, such as marine ones. Shipbuilding, plumbing, heating and industrial sectors are the ideal fields of application. The flow direction is indicated by an arrow on the valve body, while the installation can only be in horizontal position.

The seat tightness is guaranteed by a EPDM seal.

COMPONENTS

POS.	PART NAME	N°	MATERIAL
1	Body	1	Bronze CC491K UNI-EN 1982:2000
2	Cap	1	CW617N UNI-EN 12164 (3/8" to 3/4") - CW617N UNI-EN 12165 (1" to 3")
3	Cap gasket	1	PTFE
4	Spring	1	AISI 302 stainless steel
5	O-Ring	1	EPDM
6	Valve seal	1	CW617N UNI-EN 12164 (1/2" to 1.1/2") - CW617N UNI-EN 12165 (2" to 3")

DIMENSIONS MM

DN	A	B	C	D	Ø	PN
10	3/8"	50	42	29	11	16
15	1/2"	50	45	30	11	16
20	3/4"	55	52	33	13	16
25	1"	64	59	36	19	16
32	1.1/4"	73	71	42	23	16
40	1.1/2"	83	80	48,5	29	16
50	2"	88	95	56,5	36	16
65	2.1/2"	150	128	80,5	62	16
80	3"	165	146	95	76	16

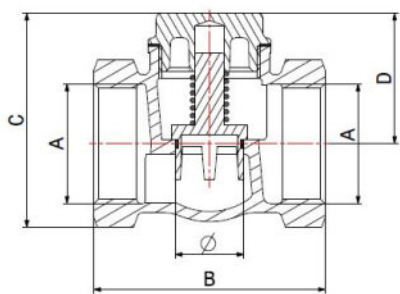
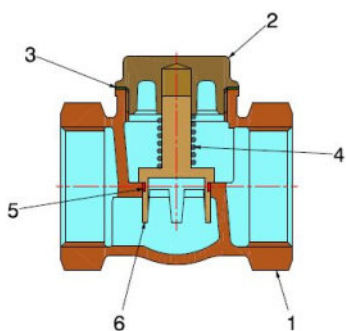
PACKAGING

	3/8"	1/2"	3/4"	1"	1.1/4"	1.1/2"	2"	2.1/2"	3"
CODE	3001010C00	3001010D00	3001010E00	3001010F00	3001010G00	3001010H00	3001010I00	3001010J00	3001010K00
PCS BOX	20	20	15	10	-	-	-	-	-
PCS CARTON	160	160	120	80	50	40	30	8	6

CHECK VALVES

**HORIZONTAL VALVE
RUBBER SEAT - INCHES**

3001



COMPONENTS

POS.	PART NAME	N°	MATERIAL
1	Body	1	Bronze CC491K UNI-EN 1982:2000
2	Cap	1	CW617N UNI-EN 12164 (3/8" to 3/4") - CW617N UNI-EN 12165 (1" to 3")
3	Cap gasket	1	PTFE
4	Spring	1	AISI 302 stainless steel
5	O-Ring	1	EPDM
6	Valve seal	1	CW617N UNI-EN 12164 (1/2" to 1.1/2") - CW617N UNI-EN 12165 (2" to 3")

DIMENSIONS INCHES

A	B	C	D	Ø	PSI
3/8"	1,969	1,654	1,142	0,433	200
1/2"	1,969	1,772	1,181	0,433	200
3/4"	2,165	2,047	1,299	0,512	200
1"	2,520	2,323	1,417	0,748	200
1.1/4"	2,874	2,795	1,654	0,906	200
1.1/2"	3,268	3,740	1,909	1,142	200
2"	3,465	4,213	2,224	1,417	200
2.1/2"	5,906	5,039	3,150	2,441	200
3"	6,496	5,709	3,740	2,992	200

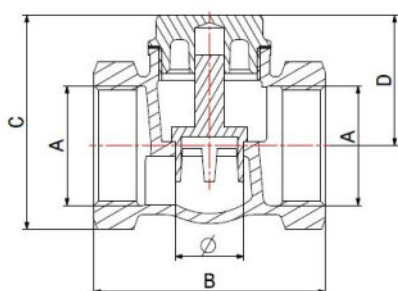
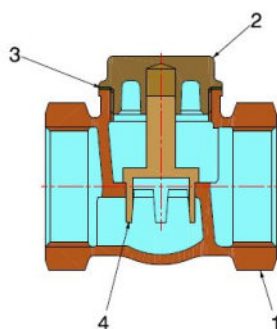
PACKAGING

	3/8"	1/2"	3/4"	1"	1.1/4"	1.1/2"	2"	2.1/2"	3"
CODE	3001010C00	3001010D00	3001010E00	3001010F00	3001010G00	3001010H00	3001010I00	3001010J00	3001010K00
PCS BOX	20	20	15	10	-	-	-	-	-
PCS CARTON	160	160	120	80	50	40	30	8	6

CHECK VALVES

**HORIZONTAL VALVE
METAL SEAT**

3000



- Horizontal valve metal seat
- Thread ISO 228 - on request NPT
- Temperature range min -10°C - max +100°C / min +14°F - max +212°F

Valve properly used when it performs a non-return function for fluids that could cause dezincification problems, therefore it is especially recommended in harsh environments, such as marine ones. Shipbuilding, plumbing, heating and industrial sectors are the ideal fields of application. The flow direction is indicated by an arrow on the valve body, while the installation can only be in horizontal position.

The seat tightness is guaranteed by a metal-to-metal seal.

COMPONENTS

POS.	PART NAME	N°	MATERIAL
1	Body	1	Bronze CC491K UNI-EN 1982:2000
2	Cap	1	CW617N UNI-EN 12164 (3/8" to 3/4") - CW617N UNI-EN 12165 (1" to 3")
3	Cap gasket	1	PTFE
4	Valve seal	1	CW617N UNI-EN 12164 (1/2" to 1.1/2") - CW617N UNI-EN 12165 (2" to 3")

DIMENSIONS MM

DN	A	B	C	D	Ø	PN
10	3/8"	50	42	29	11	16
15	1/2"	50	45	30	11	16
20	3/4"	55	52	33	13	16
25	1"	64	59	36	19	16
32	1.1/4"	73	71	42	23	16
40	1.1/2"	83	80	48,5	29	16
50	2"	88	95	56,5	36	16
65	2.1/2"	150	128	80,5	62	16

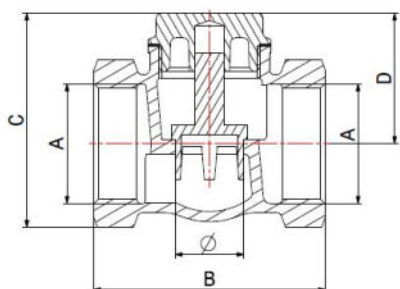
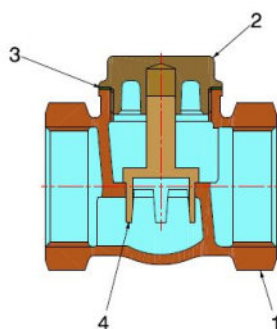
PACKAGING

	3/8"	1/2"	3/4"	1"	1.1/4"	1.1/2"	2"	2.1/2"
CODE	3000010C00	3000010D00	3000010E00	3000010F00	3000010G00	3000010H00	3000010I00	3000010J00
PCS BOX	20	20	15	10	-	-	-	-
PCS CARTON	160	160	120	80	50	40	30	8

CHECK VALVES

**HORIZONTAL VALVE
METAL SEAT - INCHES**

3000



COMPONENTS

POS.	PART NAME	N°	MATERIAL
1	Body	1	Bronze CC491K UNI-EN 1982:2000
2	Cap	1	CW617N UNI-EN 12164 (3/8" to 3/4") - CW617N UNI-EN 12165 (1" to 3")
3	Cap gasket	1	PTFE
4	Valve seal	1	CW617N UNI-EN 12164 (1/2" to 1.1/2") - CW617N UNI-EN 12165 (2" to 3")

DIMENSIONS INCHES

A	B	C	D	Ø	PSI
3/8"	1,969	1,654	1,142	0,433	200
1/2"	1,969	1,772	1,181	0,433	200
3/4"	2,165	2,047	1,299	0,512	200
1"	2,520	2,323	1,417	0,748	200
1.1/4"	2,874	2,795	1,654	0,906	200
1.1/2"	3,268	3,740	1,909	1,142	200
2"	3,465	4,213	2,224	1,417	200
2.1/2"	5,906	5,039	3,150	2,441	200

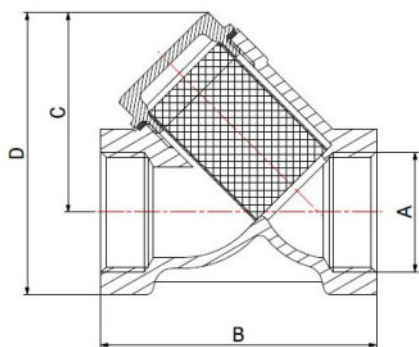
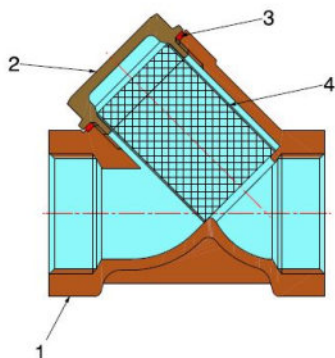
PACKAGING

	3/8"	1/2"	3/4"	1"	1.1/4"	1.1/2"	2"	2.1/2"
CODE	3000010C00	3000010D00	3000010E00	3000010F00	3000010G00	3000010H00	3000010I00	3000010J00
PCS BOX	20	20	15	10	-	-	-	-
PCS CARTON	160	160	120	80	50	40	30	8

STRAINERS

BRONZE Y STRAINER

2000



- F/F bronze Y strainer
- Thread ISO 228
- Temperature range min 0°C - max +95°C / min +32°F - max +203°F
- Standard strainer 900 micron hole – 18 mesh (for 3" and 4" valves only available with strainer with 800 micron hole - 16 mesh)
- On request:
 - 500 micron hole - 40 mesh
 - 350 micron hole - 50 mesh
 - 200 micron hole - 80 mesh
 - 140 micron hole - 100 mesh

Strainer suitable for performing a filtration function of fluids that could cause dezincification problems, therefore it is especially recommended in harsh environments, such as marine ones. Shipbuilding, plumbing, heating and industrial sectors are the ideal fields of application. The flow direction is indicated by an arrow on the valve body, while the installation can be in horizontal or vertical position. The strainer tightness is guaranteed by a carbon-filled PTFE seal.

COMPONENTS

POS.	PART NAME	N°	MATERIAL
1	Body	1	Bronze CC491K UNI-EN 1982:2000
2	Cap	1	CW617N UNI-EN 12164 (3/8" and 1/2") - CW617N UNI-EN 12165 (3/4" to 2")
3	Cap gasket	1	PTFE
4	Strainer	1	AISI 304 stainless steel

DIMENSIONS MM

DN	A	B	C	D	PN
10	3/8"	53	33	46	16
15	1/2"	57	35	50	16
20	3/4"	66	42	61	16
25	1"	76	54	77	16
32	1.1/4"	90	63	92	16
40	1.1/2"	104	76	108	16
50	2"	124	91	132	16
65	2.1/2"	163	118	168	16
80	3"	172	128	184	16
100	4"	226	178	255	16

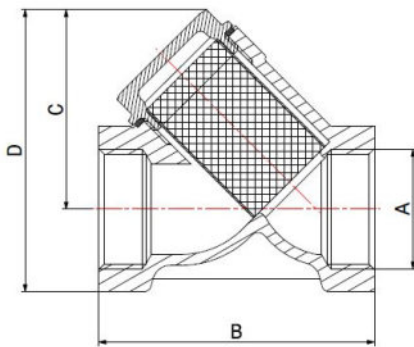
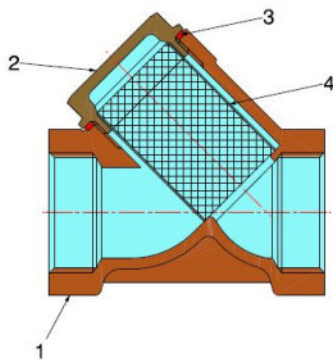
PACKAGING

	3/8"	1/2"	3/4"	1"	1.1/4"	1.1/2"	2"	2.1/2"	3"	4"
CODE	2000010C00	2000010D00	2000010E00	2000010F00	2000010G00	2000010H00	2000010I00	2000010J00	2000010K00	2000010M00
PCS BOX	20	15	10	10	-	-	-	-	-	-
PCS CARTON	180	120	80	60	40	30	20	10	5	2

STRAINERS

**BRONZE Y STRAINER -
INCHES**

2000



COMPONENTS

POS.	PART NAME	N°	MATERIAL
1	Body	1	Bronze CC491K UNI-EN 1982:2000
2	Cap	1	CW617N UNI-EN 12164 (3/8" and 1/2") - CW617N UNI-EN 12165 (3/4" to 2")
3	Cap gasket	1	PTFE
4	Strainer	1	AISI 304 stainless steel

DIMENSIONS INCHES

A	B	C	D	PSI
3/8"	2,087	1,299	1,811	200
1/2"	2,244	1,378	1,969	200
3/4"	2,598	1,654	2,402	200
1"	2,992	2,126	3,031	200
1.1/4"	3,543	2,480	3,622	200
1.1/2"	4,094	2,992	4,252	200
2"	4,882	3,583	5,197	200
2.1/2"	6,417	4,646	6,614	200
3"	6,772	5,039	7,244	200
4"	8,898	7,008	10,039	200

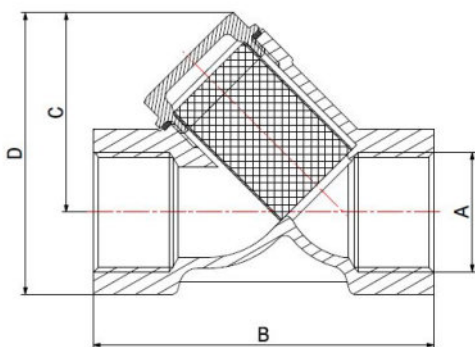
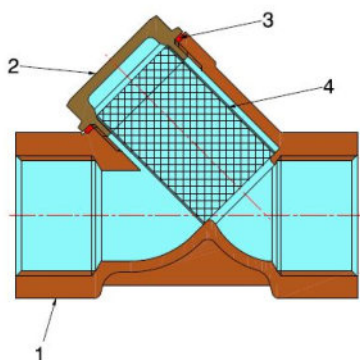
PACKAGING

	3/8"	1/2"	3/4"	1"	1.1/4"	1.1/2"	2"	2.1/2"	3"	4"
CODE	2000010C00	2000010D00	2000010E00	2000010F00	2000010G00	2000010H00	2000010I00	2000010J00	2000010K00	2000010M00
PCS BOX	20	15	10	10	-	-	-	-	-	-
PCS CARTON	180	120	80	60	40	30	20	10	5	2

STRAINERS

BRONZE Y STRAINER

2010



- F/F bronze Y strainer with NPT thread
- On request ISO 228 – EN10226-1
- Temperature range min 0°C - max +95°C / min +32°F - max +203°F
- Standard strainer 900 micron hole – 18 mesh
- On request
 - 500 micron hole - 40 mesh
 - 350 micron hole - 50 mesh
 - 200 micron hole - 80 mesh
 - 140 micron hole - 100 mesh

Strainer suitable for performing a filtration function of fluids that could cause dezincification problems, therefore it is especially recommended in harsh environments, such as marine ones. Shipbuilding, plumbing, heating and industrial sectors are the ideal fields of application. The flow direction is indicated by an arrow on the valve body, while the installation can be in horizontal or vertical position. The strainer tightness is guaranteed by a carbon-filled PTFE seal.

COMPONENTS

POS.	PART NAME	N°	MATERIAL
1	Body	1	Bronze CC491K UNI-EN 1982:2000
2	Cap	1	CW617N UNI-EN 12164 (3/8" and 1/2") - CW617N UNI-EN 12165 (3/4" to 2")
3	Cap gasket	1	PTFE
4	Strainer	1	AISI 304 stainless steel

DIMENSIONS MM

DN	A	B	C	D	PN
10	3/8"	60	33	46	16
15	1/2"	71	35	50	16
20	3/4"	80	42	61	16
25	1"	94	54	77	16
32	1.1/4"	112	63	92	16
40	1.1/2"	123	76	108	16
50	2"	150	91	132	16

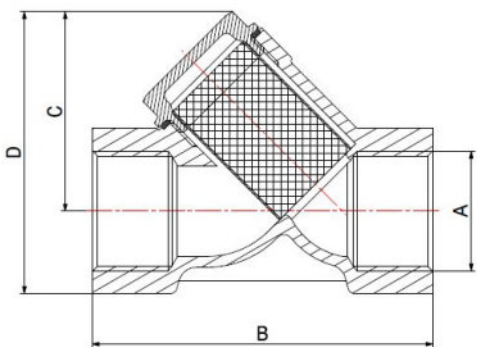
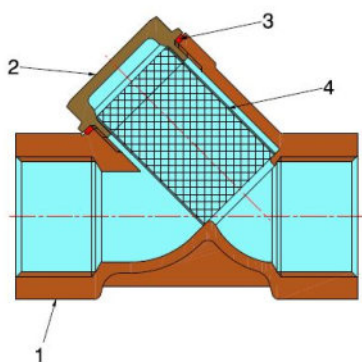
PACKAGING

	3/8"	1/2"	3/4"	1"	1.1/4"	1.1/2"	2"
CODE	2010011C00	2010011D00	2010011E00	2010011F00	2010011G00	2010011H00	2010011I00
PCS BOX	20	15	10	10	-	-	-
PCS CARTON	180	120	80	60	40	30	20

STRAINERS

**BRONZE Y STRAINER -
INCHES**

2010



COMPONENTS

POS.	PART NAME	N°	MATERIAL
1	Body	1	Bronze CC491K UNI-EN 1982:2000
2	Cap	1	CW617N UNI-EN 12164 (3/8" and 1/2") - CW617N UNI-EN 12165 (3/4" to 2")
3	Cap gasket	1	PTFE
4	Strainer	1	AISI 304 stainless steel

DIMENSIONS INCHES

A	B	C	D	PSI
3/8"	2,362	1,299	1,811	200
1/2"	2,795	1,378	1,969	200
3/4"	3,150	1,654	2,402	200
1"	3,701	2,126	3,031	200
1.1/4"	4,409	2,480	3,622	200
1.1/2"	4,843	2,992	4,252	200
2"	5,906	3,583	5,197	200

PACKAGING

	3/8"	1/2"	3/4"	1"	1.1/4"	1.1/2"	2"
CODE	2010011C00	2010011D00	2010011E00	2010011F00	2010011G00	2010011H00	2010011I00
PCS BOX	20	15	10	10	-	-	-
PCS CARTON	180	120	80	60	40	30	20

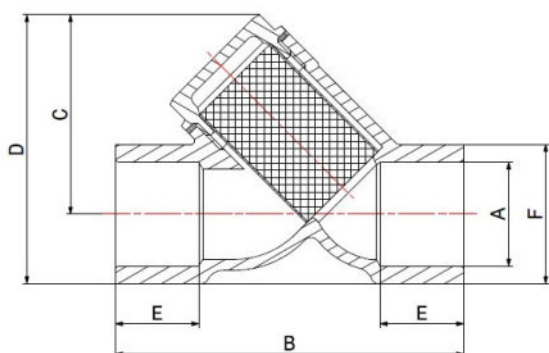
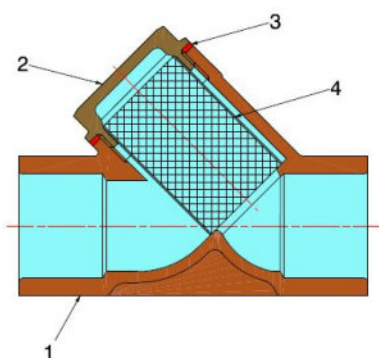
STRAINERS

BRONZE Y STRAINER

2030



- Bronze Y strainer with soldering end connections
- Temperature range min 0°C - max +95°C / min +32°F - max +203°F
- Standard strainer 900 micron hole – 18 mesh
- On request
 - 500 micron hole - 40 mesh
 - 350 micron hole - 50 mesh
 - 200 micron hole - 80 mesh
 - 140 micron hole - 100 mesh



Strainer suitable for performing a filtration function of fluids that could cause dezincification problems, therefore it is especially recommended in harsh environments, such as marine ones. Shipbuilding, plumbing, heating and industrial sectors are the ideal fields of application. The flow direction is indicated by an arrow on the valve body, while the installation can be in horizontal or vertical position. The strainer tightness is guaranteed by a carbon-filled PTFE seal.

COMPONENTS

POS.	PART NAME	N°	MATERIAL
1	Body	1	Bronze CC491K UNI-EN 1982:2000
2	Cap	1	CW617N UNI-EN 12164 (3/8" and 1/2") - CW617N UNI-EN 12165 (3/4" to 2")
3	Cap gasket	1	PTFE
4	Strainer	1	AISI 304 stainless steel

DIMENSIONS MM

DN	A	B	C	D	E	F	PN
15	15,95	70	35	46	16,5	21	16
20	22,32	85	42	56	20	27,4	16
25	28,65	96	54	71	23	34	16
32	35,04	116	63	84	25	41,4	16
40	41,38	135	76	100	28,5	48,4	16
50	54,08	155	91	122	34	61,1	16

DIMENSIONS INCHES

MIS.	A	B	C	D	E	F	PSI
1/2"	0,628	2,756	1,378	1,811	0,650	0,827	200
3/4"	0,879	3,346	1,654	2,205	0,787	1,079	200
1"	1,128	3,780	2,126	2,795	0,906	1,339	200
1.1/4"	1,380	4,567	2,480	3,307	0,984	1,630	200
1.1/2"	1,629	5,315	2,992	3,937	1,122	1,906	200
2"	2,129	6,102	3,583	4,803	1,339	2,406	200

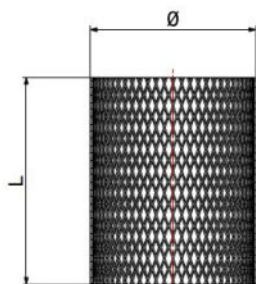
PACKAGING

	1/2" - A=15,95	3/4" - A=22,32	1" - A=28,65	1.1/4" - A=35,04	1.1/2" - A=41,38	2" - A=54,08
CODE	2030011R00	2030011T00	2030011U00	2030011V00	2030011W00	2030011X00
PCS BOX	20	10	10	-	-	-
PCS CARTON	200	100	50	24	16	12

ACCESSORIES

BRONZE STRAINER SPARE

2000



- Stainless steel 900 micron - 18 mesh stainer cartridge for bronze Y valves
- For sizes 3" and 4" only available with 800 micron hole - 16 mesh
- On request
500 micron hole - 40 mesh / 350 micron hole - 50 mesh
200 micron hole - 80 mesh / 140 micron hole - 100 mesh

TO USE WITH: 20000004X390

2000	3/8" - 1/2"
2010	3/8" - 1/2"
2030	3/8" - 1/2"

TO USE WITH: 20000006X390

2000	3/4"
2010	3/4"
2030	3/4"

TO USE WITH: 20000008X390

2000	1"
2010	1"
2030	1"

TO USE WITH: 20000010X390

2000	1.1/4"
2010	1.1/4"
2030	1.1/4"

TO USE WITH: 20000011X390

2000	1.1/2"
2010	1.1/2"
2030	1.1/2"

TO USE WITH: 20000013X390

2000	2"
2010	2"
2030	2"

TO USE WITH: 20000015X390

2000	2.1/2"
------	--------

TO USE WITH: 20000017X390

2000	3"
------	----

TO USE WITH: 20000019X390

2000	4"
------	----

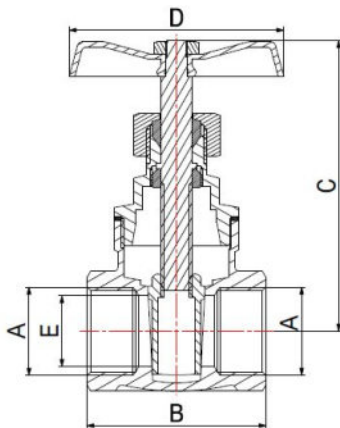
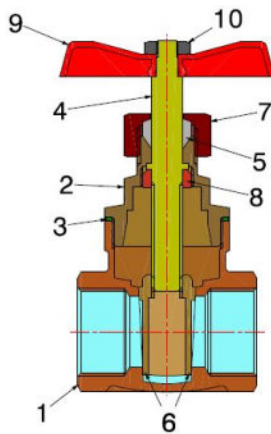
DIMENSIONS

	Ø=17 L=30,5	Ø=24 L=36,5	Ø=28 L=42	Ø=36 L=51,5	Ø=41 L=59,5	Ø=57 L=68	Ø=68,5 L=89	Ø=75 L=102	Ø=102 L=143
CODE	20000004X390	20000006X390	20000008X390	20000010X390	20000011X390	20000013X390	20000015X390	20000017X390	20000019X390

GATE VALVES

BRONZE GATE VALVE

2700



- Bronze gate valve
- Thread ISO 228
- Temperature range min 0°C - max +80°C / min +32°F - max +176°F

Valve suitable for distributing, regulating and interrupting air, steam or fluids that could cause dezincification problems, therefore it is especially recommended in harsh environments, such as marine ones. Shipbuilding, plumbing, heating and industrial sectors are the ideal fields of application.

The seat tightness is guaranteed by a metal-to-metal seal.

COMPONENTS

POS.	PART NAME	N°	MATERIAL
1	Body	1	Bronze SN UNI-EN 1982 DIN50930/6
2	Upper part	1	CW617N UNI-EN 12165
3	Body gasket	1	Guarnital fiber
4	Stem	1	CW617N UNI-EN 12164
5	Stem gasket	1	Dutral EPDM90
6	Disk	2	Delta brass C EN 1982 CB 754S
7	Gland	1	CW617N UNI-EN 12164
8	Ring	1	CW617N UNI-EN 12164
9	Handwheel	1	Red epoxy-resin plasticized steel
10	Handwheel fixed nut	1	Galvanised iron

DIMENSIONS MM

DN	A	B	C	D	E	PN
15	1/2"	38	68	45	15	16
20	3/4"	45	78	50	19	16
25	1"	48	92	55	24	16
32	1.1/4"	51	108	60	32	16
40	1.1/2"	58	125	70	37	16
50	2"	62	145	80	47	16
65	2.1/2"	76	175	100	60	16
80	3"	80	200	100	72	16
100	4"	96	240	120	93	16

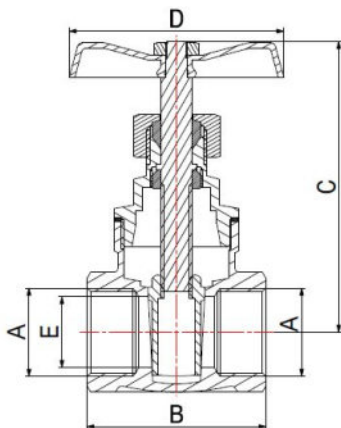
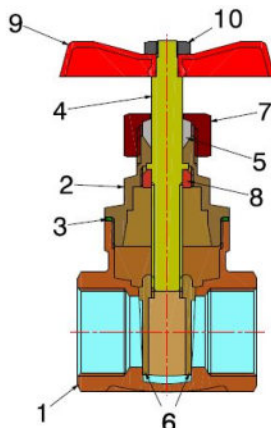
PACKAGING

	1/2"	3/4"	1"	1.1/4"	1.1/2"	2"	2.1/2"	3"	4"
CODE	2700610D00	2700610E00	2700610F00	2700610G00	2700610H00	2700610I00	2700610J00	2700610K00	2700610M00
PCS BOX	20	20	10	10	5	5	-	-	-
PCS CARTON	160	100	80	50	35	25	15	12	6

GATE VALVES

**BRONZE GATE VALVE -
INCHES**

2700



COMPONENTS

POS.	PART NAME	N°	MATERIAL
1	Body	1	Bronze SN UNI-EN 1982 DIN50930/6
2	Upper part	1	CW617N UNI-EN 12165
3	Body gasket	1	Guarnital fiber
4	Stem	1	CW617N UNI-EN 12164
5	Stem gasket	1	Dutral EPDM90
6	Disk	2	Delta brass C EN 1982 CB 754S
7	Gland	1	CW617N UNI-EN 12164
8	Ring	1	CW617N UNI-EN 12164
9	Handwheel	1	Red epoxy-resin plasticized steel
10	Handwheel fixed nut	1	Galvanised iron

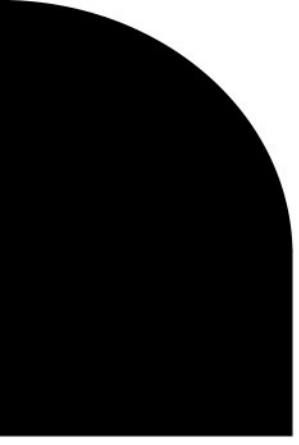
DIMENSIONS INCHES

A	B	C	D	E	PSI
1/2"	1,496	2,667	1,772	0,591	200
3/4"	1,772	3,071	1,969	0,748	200
1"	1,890	3,622	2,165	0,945	200
1.1/4"	2,008	4,252	2,362	1,260	200
1.1/2"	2,283	4,921	2,756	1,457	200
2"	2,441	5,709	3,150	1,850	200
2.1/2"	2,992	6,890	3,937	2,362	200
3"	3,150	7,874	3,937	2,835	200
4"	3,543	9,449	4,724	3,661	200

PACKAGING

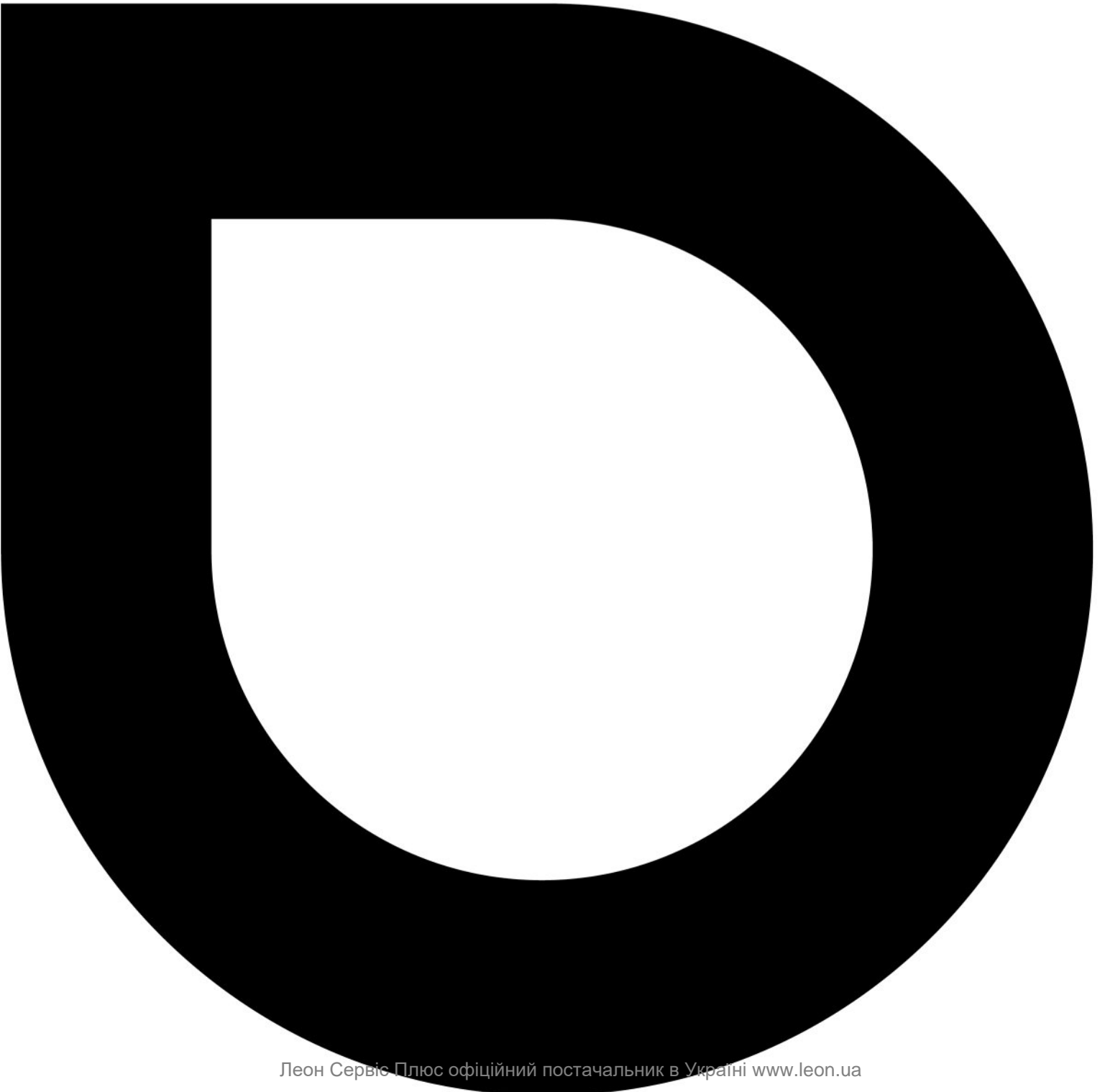
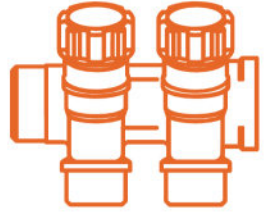
	1/2"	3/4"	1"	1.1/4"	1.1/2"	2"	2.1/2"	3"	4"
CODE	2700610D00	2700610E00	2700610F00	2700610G00	2700610H00	2700610I00	2700610J00	2700610K00	2700610M00
PCS BOX	20	20	10	10	5	5	-	-	-
PCS CARTON	160	100	80	50	35	25	15	12	6





04

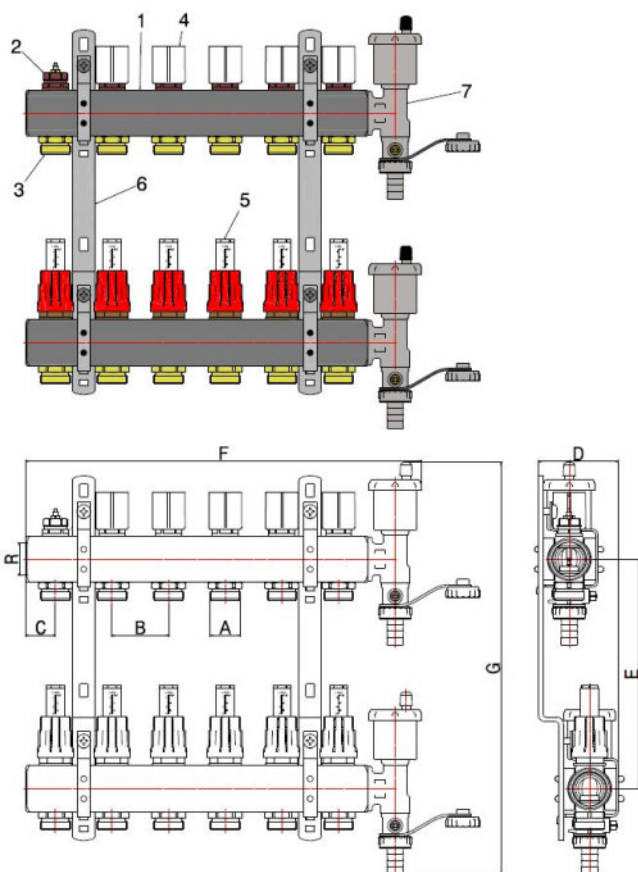
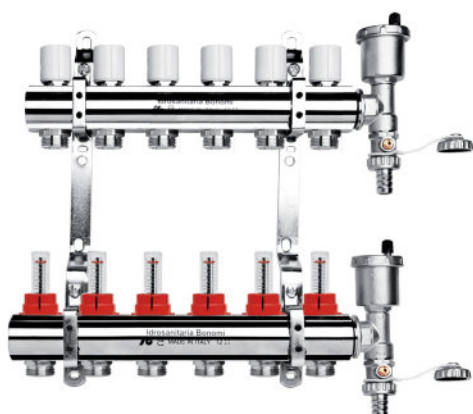
**MANIFOLDS AND
ACCESSORIES**



MANIFOLDS

**PRE-ASSEMBLED
MANIFOLD**

3729



- Pre-assembled manifold from bar
- Finishing nickel
- Thread ISO 228
- Temperature range min 0°C - max + 95°C

Manifold suitable for distributing, interrupting and regulating heat transfer fluids. This preassembled manifold is composed by flowmeters, flow regulators for balancing circuits and shut-off valves suitable for electro-thermal actuators. Both collectors are supplied with automatic air vent terminals and with loading/unloading valves for the system.

Temperature control in every indoor space allows a proper management of heat loads, to considerably improve energy savings and environmental comfort. It should be noted that the unloading terminals are supplied disassembled in separate packaging.

COMPONENTS

POS.	PART NAME	N°	MATERIAL
1	Manifold	1	CW617N UNI-EN 12168 nickel-plated
2	Upper part	1	CW617N UNI-EN 12164 nickel-plated
3	Connector	1	CW617N UNI-EN 12164 nickel-plated
4	Handle	1	ABS plastic
5	Flowmeter	1	-
6	Bracket	1	Galvanised iron
7	Manifold terminal	1	-

DIMENSIONS

N.OF WAY	R	A	B	C	D	E	F	G	PN
3	1"	3/4"	50	26	70	200	200	370	10
4	1"	3/4"	50	26	70	200	250	370	10
5	1"	3/4"	50	26	70	200	300	370	10
6	1"	3/4"	50	26	70	200	350	370	10
7	1"	3/4"	50	26	70	200	400	370	10
8	1"	3/4"	50	26	70	200	450	370	10
9	1"	3/4"	50	26	70	200	500	370	10
10	1"	3/4"	50	26	70	200	550	370	10
11	1"	3/4"	50	26	70	200	600	370	10
12	1"	3/4"	50	26	70	200	650	370	10
13	1"	3/4"	50	26	70	200	700	370	10

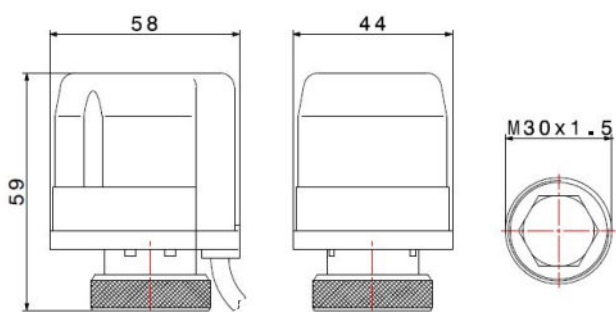
PACKAGING

	3 WAY	4 WAY	5 WAY	6 WAY	7 WAY	8 WAY	9 WAY	10 WAY	11 WAY	12 WAY	13 WAY
CODE	37290308	37290408	37290508	37290608	37290708	37290808	37290908	37291008	37291108	37291208	37291308
PCS BOX	-	-	-	-	-	-	-	-	-	-	-
PCS CARTON	1	1	1	1	1	1	1	1	1	1	1

ACCESSORIES

ELECTROTHERMAL ACTUATOR 4 WIRE

37290001



- Linear motion
- Normally closed
- Head run 4 mm
- Power supply 230VAC/DC
- Power consumption 2,5 W
- Degree of protection IP 54 can be installed in any position
- Power cord type H05V2V2-F
- Final stage of opening or closing 3 minutes
- Temperature range min 0°C - max + 95°C
- WAYSwer location red - black
- Housing material self-extinguishing VO
- Valve attack brass ring M30x1,5

This thermostatic head allows to automatically open and close the manifold valves. The control works through thermostats placed in each room, that, according to the desired effect, open or close the heating and the cooling circuit. This model has four one-meter wires (the colors are blue – brown – black for AUX – grey for AUX) with auxiliary stroke end switch to control circulators or zone valves.

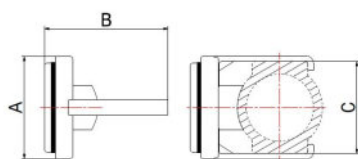
PACKAGING

CODE	37290001
PCS BOX	1
PCS CARTON	50

ACCESSORIES

THERMOMETERS

37290008



- Thermometers for inlet and outlet manifolds
- Clip-on
- Available colours in red and blue
- Temperature range min 0°C - max +120°C
- Sold in pairs

DIMENSIONS

A	B	C
Ø 45,5	55	40,8

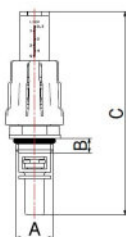
PACKAGING

	BLUE	RED
CODE	37290008B	37290008R
PCS BOX	-	-
PCS CARTON	100	100

ACCESSORIES

FLOWMETER

37290004XD



- Flowmeter

It allows to set the flow and balancing the heating circuits.

DIMENSIONS

A	B	C
1/2"	8	114

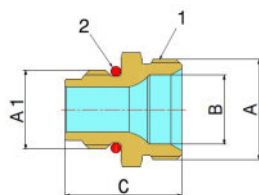
CODE	37290004XD
-------------	-------------------

ACCESSORIES

OUTLET CONNECTOR

37290604XA

- Connector for inlet and outlet manifolds



COMPONENTS

POS.	DESCRIZIONE	N°	MATERIALE
1	Fitting	1	CW617N UNI-EN 12164
2	O-Ring	1	EPDM 70 Perox

DIMENSIONS

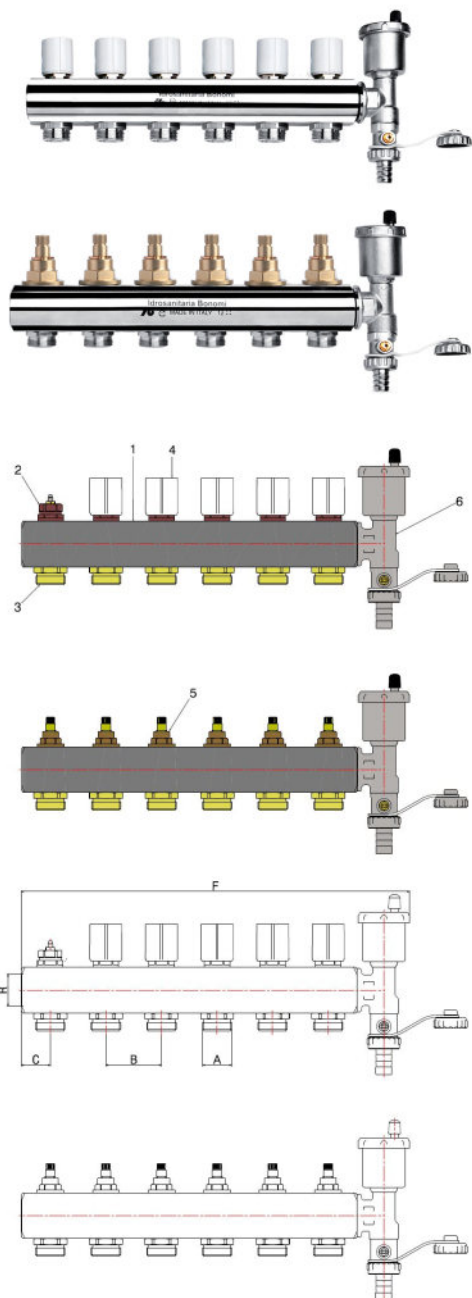
A	A1	B	C
3/4"	1/2"	18,1	30,6

CODE	37290604XA
------	------------

MANIFOLDS

**MANIFOLD FROM BAR
WITH REGULATING UPPER
PARTS**

3727



- Pre-assembled bar manifold
- Finishing nickel-plated
- Thread ISO 228
- Temperature range min 0°C - max +95°C

Manifold suitable for distributing, interrupting and regulating heat transfer fluids. This preassembled manifold is composed by manual flow regulators for balancing circuits and shut-off valves suitable for electro-thermal actuators. Both collectors are supplied with automatic air vent terminals and with loading/unloading valves for the system.

Temperature control in every indoor space allows a proper management of heat loads, to considerably improve energy savings and environmental comfort.

It should be noted that the unloading terminals are supplied disassembled in separate packaging.

COMPONENTS

POS.	PART NAME	MATERIAL
1	Manifold	CW617N UNI-EN 12168 nickel-plated
2	Thermostatic upper part	CW617N UNI-EN 12164 nickel-plated
3	Connector	CW617N UNI-EN 12164 nickel-plated
4	Handle	ABS plastic
5	Upper part	CW617N UNI-EN 12164 nickel-plated
6	Manifold terminal	-

DIMENSIONS

N.OF WAY	R	A	B	C	F	PN
3	1"	3/4"	50	26	200	10
4	1"	3/4"	50	26	250	10
5	1"	3/4"	50	26	300	10
6	1"	3/4"	50	26	350	10
7	1"	3/4"	50	26	400	10
8	1"	3/4"	50	26	450	10
9	1"	3/4"	50	26	500	10
10	1"	3/4"	50	26	550	10
11	1"	3/4"	50	26	600	10
12	1"	3/4"	50	26	650	10
13	1"	3/4"	50	26	700	10

PACKAGING

	3 WAY	4 WAY	5 WAY	6 WAY	7 WAY	8 WAY	9 WAY	10 WAY	11 WAY	12 WAY	13 WAY
CODE	37270308	37270408	37270508	37270608	37270708	37270808	37270908	37271008	37271108	37271208	37271308
PCS BOX	-	-	-	-	-	-	-	-	-	-	-
PCS CARTON	3	3	3	3	3	3	3	3	3	3	3

ACCESSORIES

BRACKETS FOR MANIFOLD

37290008XE



- Brackets for 1" manifold bar

CODE

37290008XE

ACCESSORIES

BRACKET FOR MANIFOLDS

37300008XE



- Single bracket for 1" manifold bar

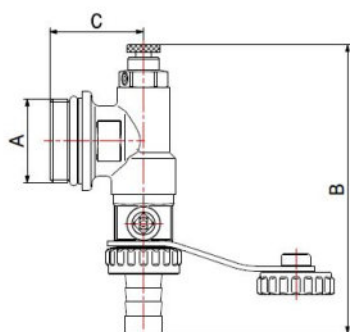
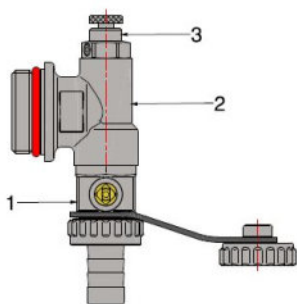
CODE

37300008XE

ACCESSORIES

MANIFOLD TERMINAL

3753



- Manifold terminal with relief valve
- Finishing available sandblasted yellow and nickel plated

COMPONENTS

POS.	PART NAME
1	1/2" boiler ball drain valve with lever
2	F/M/F tee with O-Ring
3	Drain cock with O-Ring

DIMENSIONS

A	B	C	PN
3/4"	120	37	10
1"	120	37	10

PACKAGING

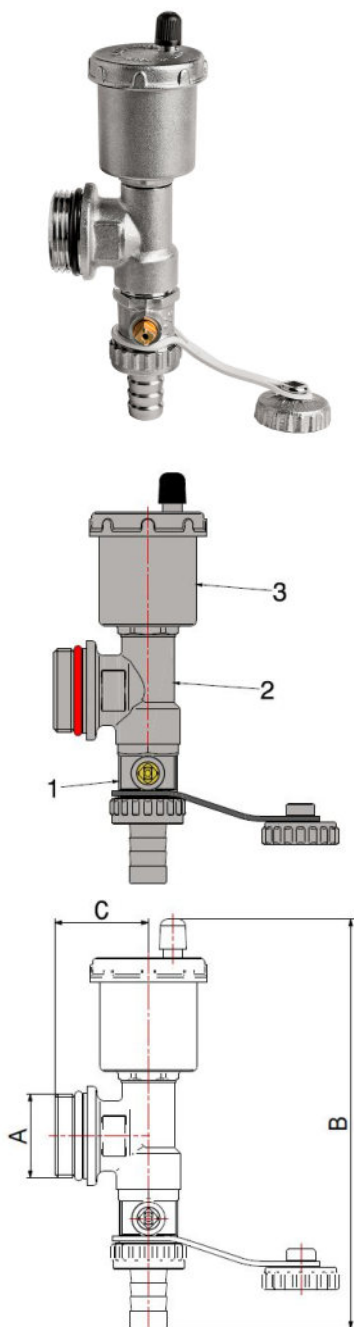
	3/4"	1"
NICKEL-PLATED	37531106	37531108
YELLOW	37530006	37530008
PCS BOX	1	1
PCS CARTON	50	50

ACCESSORIES

MANIFOLD TERMINAL

3754

- Manifold terminal with automatic relief valve
- Finishing available sandblasted yellow and nickel plated



COMPONENTS

POS.	PART NAME
1	1/2" boiler ball drain valve with cap key
2	F/M/F tee with O-Ring
3	3/8" automatic relief valve

DIMENSIONS

A	B	C	PN
3/4"	165	37	10
1"	165	37	10

PACKAGING

	3/4"	1"
NICKEL-PLATED	37541106	37541108
YELLOW	37540006	37540008
PCS BOX	1	1
PCS CARTON	50	50

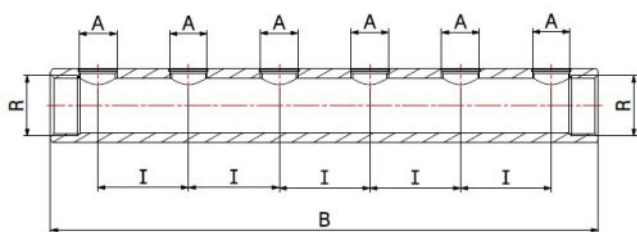
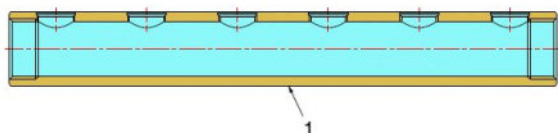
MANIFOLDS

SINGLE MANIFOLD

3730



- 1" single manifold from bar
- Thread ISO 228
- Finishing yellow



COMPONENTS

POS.	PART NAME	N°	MATERIAL
1	Body	1	CW617N UNI-EN 12164

DIMENSIONS

N. OF WAY	R	A	I	B	PN
2	1"	1/2"	50	102	10
3	1"	1/2"	50	152	10
4	1"	1/2"	50	202	10
5	1"	1/2"	50	252	10
6	1"	1/2"	50	302	10
7	1"	1/2"	50	352	10
8	1"	1/2"	50	402	10
9	1"	1/2"	50	452	10
10	1"	1/2"	50	502	10
11	1"	1/2"	50	552	10
12	1"	1/2"	50	602	10
13	1"	1/2"	50	652	10

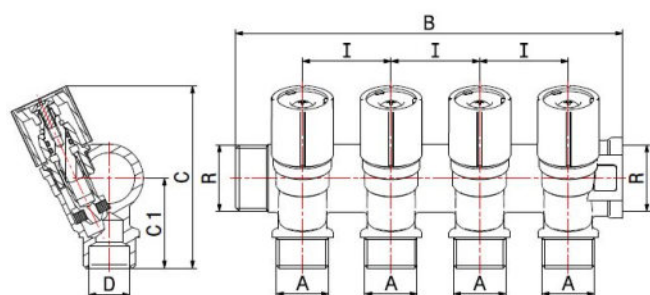
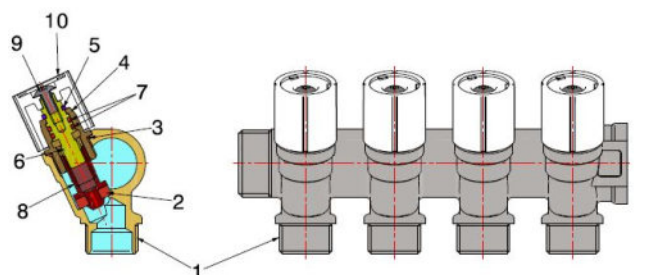
PACKAGING

	2 WAY	3 WAY	4 WAY	5 WAY	6 WAY	7 WAY	8 WAY	9 WAY	10 WAY	11 WAY	12 WAY	13 WAY
CODE	37300208	37300308	37300408	37300508	37300608	37300708	37300808	37300908	37301008	37301108	37301208	37301308
PCS BOX	-	-	-	-	-	-	-	-	-	-	-	-
PCS CARTON 30	-	20	25	20	15	10	10	10	10	10	10	10

MANIFOLDS

MANIFOLD WITH VALVE

3745



- Manifold with valves
- Finishing nickel-plated
- 1/2" side connections
- Thread ISO 228
- Temperature range min 0°C - max +95°C

Manifold suitable for distributing and interrupting sanitary or thermal fluids. Plumbing and heating systems and industrial sector are the ideal fields of application. The seat tightness is guaranteed by a EPDM PEROX seal, particularly recommended with water-glycol solutions, with a maximum glycol presence of 50%.

COMPONENTS

POS.	PART NAME	N°	MATERIAL
1	Body	1	CW617N UNI-EN 12165 nickel-plated
2	Gasket	1	EPDM Perox
3	Upper part O-Ring	1	EPDM Perox
4	Upper part	1	CW617N UNI-EN 12164
5	Snap ring	1	Phosphorous bronze
6	Stem	1	CW617N UNI-EN 12164
7	Stem O-Ring	2	EPDM Perox
8	Valve	1	CW617N UNI-EN 12164
9	Screw	1	Stainless steel
10	Handle	1	ABS

DIMENSIONS

N. OF WAY	R	A	I	B	C1	C	D	PN
2	3/4"	1/2"	35	83	36	73	16,1	10
2	1"	1/2"	35	90	37	77	16,1	10
3	3/4"	1/2"	35	118	36	73	16,1	10
3	1"	1/2"	35	125	37	77	16,1	10
4	3/4"	1/2"	35	153	36	73	16,1	10
4	1"	1/2"	35	158	37	77	16,1	10
5	3/4"	1/2"	35	188	36	73	16,1	10
5	1"	1/2"	35	195	37	77	16,1	10

PACKAGING

	2 WAY 3/4"	2 WAY 1"	3 WAY 3/4"	3 WAY 1"	4 WAY 3/4"	4 WAY 1"	5 WAY 3/4"	5 WAY 1"
CODE	37450206W	37450208W	37450306W	37450308W	37450406W	37450408W	37450506W	37450508W
PCS BAG	1	1	1	1	1	1	1	1
PCS CARTON	50	50	50	50	40	40	40	30

MANIFOLDS

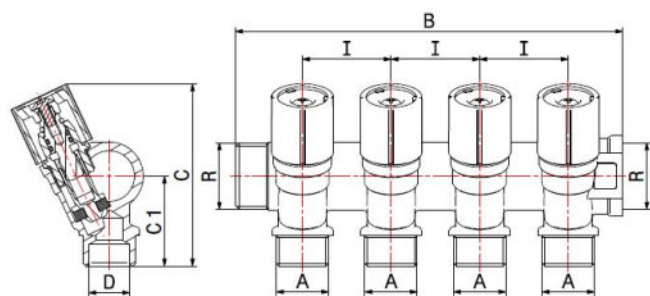
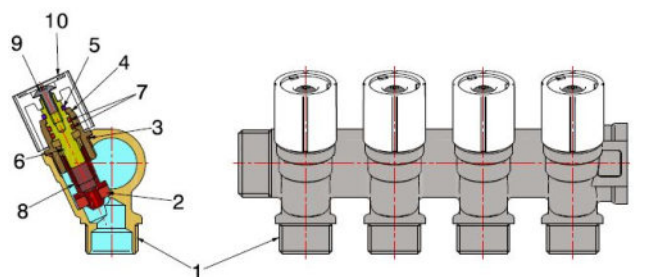
MANIFOLD WITH VALVES

3735



- Manifold with valves
- Finishing nickel-plated
- M22x1,5 side connections
- Thread ISO 228
- Temperature range min 0°C - max +95°C

Manifold suitable for distributing and interrupting sanitary or thermal fluids. Plumbing and heating systems and industrial sector are the ideal fields of application. The seat tightness is guaranteed by a EPDM PEROX seal, particularly recommended with water-glycol solutions, with a maximum glycol presence of 50%.



COMPONENTS

POS.	PART NAME	N°	MATERIAL
1	Body	1	CW617N UNI-EN 12165 nickel-plated
2	Gasket	1	EPDM Perox
3	O-Ring	1	EPDM Perox
4	Upper part	1	CW617N UNI-EN 12164
5	Snap ring	1	Phosphorous bronze
6	Stem	1	CW617N UNI-EN 12164
7	Stem O-Ring	2	EPDM Perox
8	Valve	1	CW617N UNI-EN 12164
9	Srew	1	Stainless steel
10	Handle	1	ABS

DIMENSIONS

N. OF WAY	R	A	I	B	C1	C	D	PN
2	3/4"	M22x1,5 35	83	35,5	73	16,1	10	
2	1"	M22x1,5 35	90	36,5	77	16,1	10	
3	3/4"	M22x1,5 35	118	35,5	73	16,1	10	
3	1"	M22x1,5 35	125	36,5	77	16,1	10	
4	3/4"	M22x1,5 35	153	35,5	73	16,1	10	
4	1"	M22x1,5 35	158	36,5	77	16,1	10	
5	3/4"	M22x1,5 35	188	35,5	73	16,1	10	
5	1"	M22x1,5 35	195	36,5	77	16,1	10	

PACKAGING

	2 WAY 3/4"	2 WAY 1"	3 WAY 2/4"	3 WAY 1"	4 WAY 3/4"	4 WAY 1"	5 WAY 3/4"	5 WAY 1"
CODE	37350206W	37350208W	37350306W	37350308W	37350406W	37350408W	37350506W	37350508W
PCS BAG	1	1	1	1	1	1	1	1
PCS CARTON	50	50	50	50	40	40	25	25

MANIFOLDS

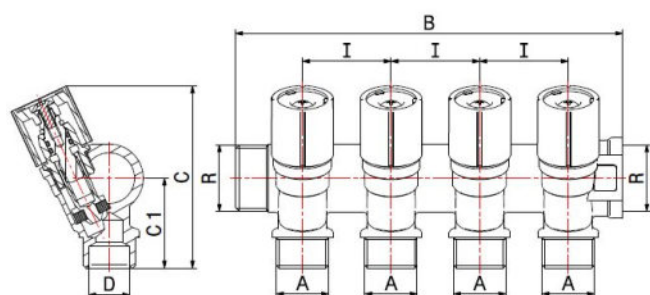
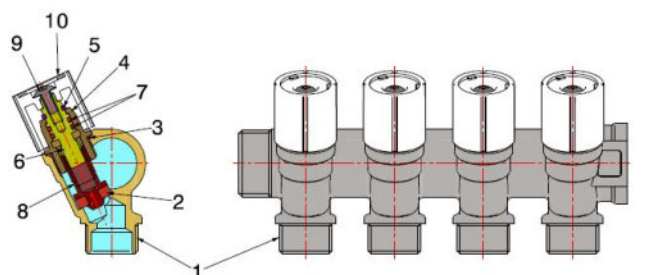
MANIFOLD WITH VALVES

3737



- Manifold with valves
- Finishing nickel-plated
- 24x19 side connections
- Thread ISO 228 and 24x19
- Temperature range min 0°C - max 95°C

Manifold suitable for distributing and interrupting sanitary or thermal fluids. Plumbing and heating systems and industrial sector are the ideal fields of application. The seat tightness is guaranteed by a EPDM PEROX seal, particularly recommended with water-glycol solutions, with a maximum glycol presence of 50%.



COMPONENTS

POS.	PART NAME	N°	MATERIAL
1	Body	1	CW617N UNI-EN 12165 nickel-plated
2	Gasket	1	EPDM Perox
3	O-Ring	1	EPDM Perox
4	Upper part	1	CW617N UNI-EN 12164
5	Snap ring	1	Phosphorous bronze
6	Stem	1	CW617N UNI-EN 12164
7	Stem O-Ring	2	EPDM Perox
8	Valve	1	CW617N UNI-EN 12164
9	Screw	1	Stainless steel
10	Handle	1	ABS

DIMENSIONS

N. OF WAY	R	A	I	B	C1	C	D	PN
2	1"	24x19	35	97	37	77	18.1	10
3	1"	24x19	35	132	37	77	18.1	10
4	1"	24x19	35	167	37	77	18.1	10
5	1"	24x19	35	202	37	77	18.1	10

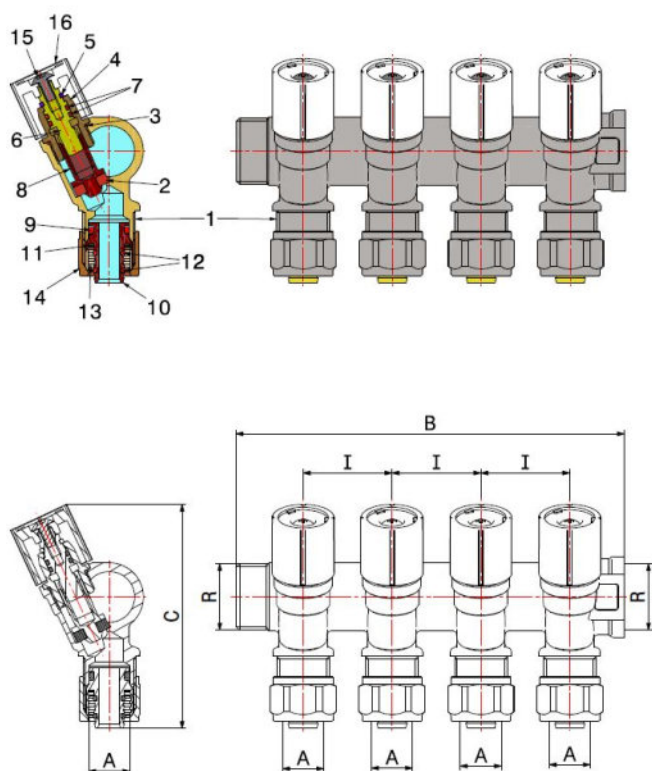
PACKAGING

	2 WAY 1"	3 WAY 1"	4 WAY 1"	5 WAY 1"
CODE	37370208W	37370308W	37370408W	3737508W
PCS BAG	1	1	1	1
PCS CARTON	50	50	40	30

MANIFOLDS

MANIFOLD WITH VALVES AND ADAPTORS

3751



- Manifold with valves and diam. 16 PEX-AL-PEX adaptors
- Finishing nickel-plated
- Thread ISO 228
- Temperature range min 0°C - max +95°C

Manifold particularly suitable for distributing and interrupting sanitary or thermal fluids. Plumbing and heating systems and industrial sector are the ideal fields of application. The seat tightness is guaranteed by a EPDM PEROX seal, particularly recommended with water-glycol solutions, with a maximum glycol presence of 50%.

COMPONENTS

POS.	PART NAME	N°	MATERIAL
1	Body	1	CW617N UNI-EN 12165 nickel-plated
2	Gasket	1	EPDM Perox
3	Upper part O-Ring	1	EPDM Perox
4	Upper part	1	CW617N UNI-EN 12164
5	Snap ring	1	Phosphorous bronze
6	Stem	1	CW617N UNI-EN 12164
7	O-Ring	2	EPDM Perox
8	Valve	1	CW617N UNI-EN 12164
9	O-Ring	1	EPDM Perox
10	Hose-end pipe	1	CW617N UNI-EN 12164
11	Seal	1	PTFE
12	O-Ring	2	EPDM Perox
13	Ogive	1	CW617N UNI-EN 12164
14	Nut	1	CW617N UNI-EN 12164 nickel-plated
15	Screw	1	Stainless steel
16	Handle	1	Plastic

DIMENSIONS

N. OF WAY	R	A	I	B	PN
2	3/4"	16x2	35	83	10
2	1"	16x2	35	90	10
3	3/4"	16x2	35	118	10
3	1"	16x2	35	125	10
4	3/4"	16x2	35	153	10
4	1"	16x2	35	158	10
5	3/4"	16x2	35	188	10
5	1"	16x2	35	195	10

PACKAGING

	2 WAY 3/4"	2 WAY 1"	3 WAY 3/4"	3 WAY 1"	4 WAY 3/4"	4 WAY 1"	5 WAY 3/4"	5 WAY 1"
CODE	37510206W16	37510208W16	37510306W16	37510308W16	37510406W16	37510408W16	37510506W16	37510508W16
PCS BAG	1	1	1	1	1	1	1	1
PCS CARTON	50	50	50	50	40	40	30	30

MANIFOLDS

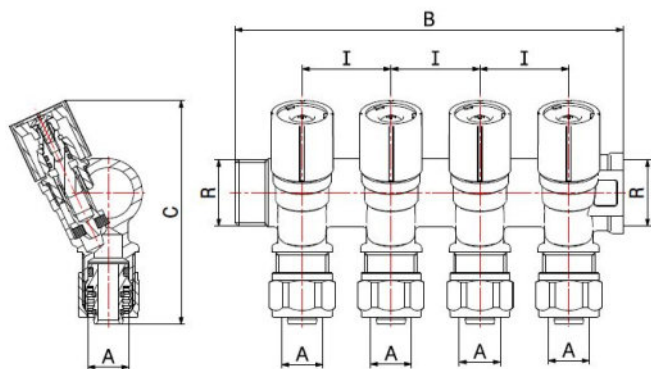
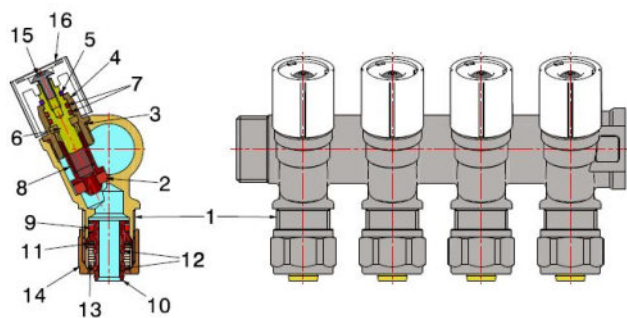
MANIFOLDS WITH VALVES AND ADAPTORS

3725



- Manifold with valves and D.16 adaptors for PEX-AL-PEX pipe
- Finishing nickel-plated
- Threads ISO 228
- M22x1,5 side connections
- Temperature range min 0°C - max +95°C

Manifold particularly suitable for distributing and interrupting sanitary or thermal fluids. Plumbing and heating systems and industrial sector are the ideal fields of application. The seat tightness is guaranteed by a EPDM PEROX seal, particularly recommended with water-glycol solutions, with a maximum glycol presence of 50%.



COMPONENTS

POS.	PART NAME	N°	MATERIAL
1	Body	1	CW617N UNI-EN 12165 nickel-plated
2	Seal	1	EPDM Perox
3	O-Ring	1	EPDM Perox
4	Upper part	1	CW614N UNI-EN 12164
5	Snap ring	1	Bronze CC491K UNI-EN 1982:200
6	Stem	1	CW614N UNI-EN 12164
7	Stem O-Ring	2	EPDM Perox
8	Valve	1	CW614N UNI-EN 12164
9	O-Ring	1	EPDM Perox
10	Hose-end pipe	1	CW614N UNI-EN 12164
11	Seal	1	PTFE
12	O-Ring	2	EPDM Perox
13	Ogive	1	CW614N UNI-EN 12164
14	Nut	1	CW614N UNI-EN 12164 nickel-plated
15	Screw	1	Stainless steel
16	Handle	1	Plastic

DIMENSIONS

N. OF WAY	R	A	I	B
2	3/4"	16x2	35	83
3	3/4"	16x2	35	118
4	3/4"	16x2	35	153

PACKAGING

	2 WAY 3/4"	3 WAY 3/4"	4 WAY 3/4"
CODE	37250206W16	37250306W16	37250406W16
PCS BAG	1	1	1
PCS CARTON	50	50	40

ACCESSORY

KIT WITH COVER AND INDICATOR DISK

3737XA

- Red and blue cover with utilities indicator disk for manifold handles



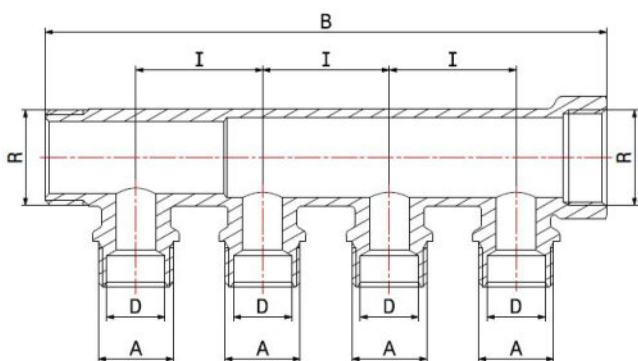
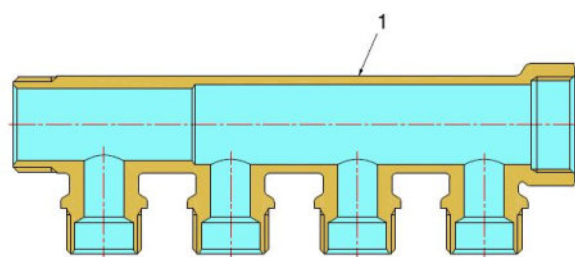
PACKAGING

	KIT FOR 2 WAY MANIFOLD	KIT FOR 3 WAY MANIFOLD	KIT FOR 4 WAY MANIFOLD	KIT FOR 5 WAY MANIFOLD
CODE	37370200XA	37370300XA	37370400XA	37370500XA
PCS BAG	2	3	4	5

MANIFOLDS

SIMPLE MANIFOLD

3740



- Simple manifold
- 1/2" side connections
- Finishing sandblasted yellow or nickel-plated
- Thread ISO 228
- Temperature range min 0°C - max +95°C

Manifold particularly suitable for distributing sanitary or thermal fluids. Plumbing and heating systems and industrial sector are the ideal fields of application.

COMPONENTS

POS.	PART NAME	N°	MATERIAL
1	Body	1	CW617N UNI-EN 12165

DIMENSIONS

N. OF WAY	R	A	I	B	D	PN
2	3/4"	1/2"	35	83	16,1	10
2	1"	1/2"	35	90	16,1	10
3	3/4"	1/2"	35	118	16,1	10
3	1"	1/2"	35	125	16,1	10
4	3/4"	1/2"	35	153	16,1	10
4	1"	1/2"	35	158	16,1	10
5	1"	1/2"	36	190	16,1	10
5	1"	1/2"	36	195	16,1	10

PACKAGING

	2 WAY 3/4"	2 WAY 1"	3 WAY 3/4"	3 WAY 1"	4 WAY 3/4"	4 WAY 1"	5 WAY 3/4"	5 WAY 1"
NICKEL-PLATED	37401206	37401208	37401306	37401308	37401406	37401408	37401506	37401508
YELLOW	37400206	37400208	37400306	37400308	37400406	37400408	37400506	37400508
PCS BAG	-	-	-	-	-	-	-	-
PCS CARTON	80	50	50	40	50	50	40	30

MANIFOLDS

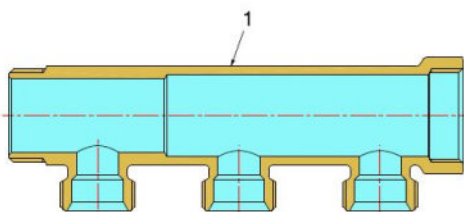
SIMPLE MANIFOLD

3738



- 1" simple manifold
- 3/4" side connections
- Finishing sandblasted yellow or nickel-plated
- Thread ISO 228
- Temperature range min 0°C - max +95°C

Manifold particularly suitable for distributing sanitary or thermal fluids. Plumbing and heating systems and industrial sector are the ideal fields of application.

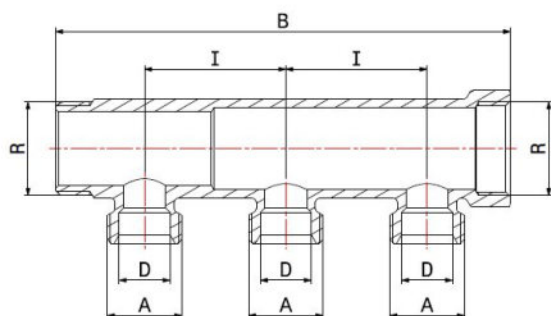


COMPONENTS

POS.	PART NAME	N°	MATERIAL
1	Body	1	CW617N UNI-EN 12165

DIMENSIONS

N. OF WAY	R	A	I	B	D	PN
2	1"	3/4"	50	109	18	10
3	1"	3/4"	50	161	18	10



PACKAGING

	2 WAY 1"	3 WAY 1"
NICKEL-PLATED	37381208	37381308
YELLOW	37380208	37380308
PCS BAG	-	-
PCS CARTON	50	40

MANIFOLDS

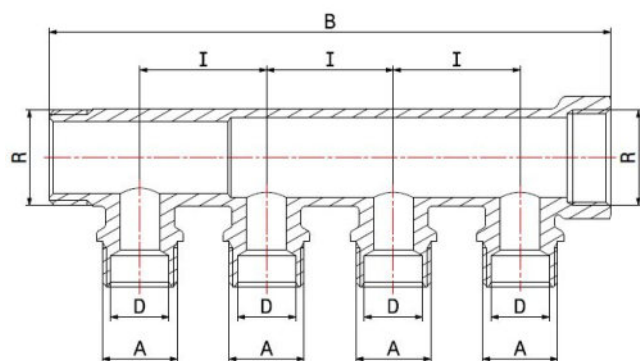
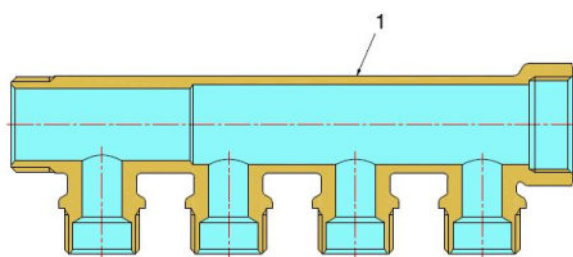
SIMPLE MANIFOLD

3736



- Simple manifold
- M22x1,5 side connections
- Finishing sandblasted yellow or nickel-plated
- Thread ISO 228 and METRIC
- Temperature range min 0°C - max +95°C

Manifold particularly suitable for distributing sanitary or thermal fluids. Plumbing and heating systems and industrial sector are the ideal fields of application.



COMPONENTS

POS.	PART NAME	N°	MATERIAL
1	Body	1	CW617N UNI-EN 12165

DIMENSIONS

N. OF WAY	R	A	I	B	D	PN
2	3/4"	M22x1,5	35	83	16,1	10
2	1"	M22x1,5	35	90	16,1	10
3	3/4"	M22x1,5	35	118	16,1	10
3	1"	M22x1,5	35	125	16,1	10
4	3/4"	M22x1,5	35	153	16,1	10
4	1"	M22x1,5	35	158	16,1	10
5	3/4"	M22x1,5	36	190	16,1	10
5	1"	M22x1,5	36	195	16,1	10

PACKAGING

	2 WAY 3/4"	2 WAY 1"	3 WAY 3/4"	3 WAY 1"	4 WAY 3/4"	4 WAY 1"	5 WAY 3/4"	5 WAY 1"
NICKEL-PLATED	37361206	37361208	37361306	37361308	37361406	37361408	37361506	37361508
YELLOW	37360206	37360208	37360306	37360308	37360406	37360408	37360506	37360508
PCS BAG	-	-	-	-	-	-	-	-
PCS CARTON	80	50	50	40	50	50	40	30

MANIFOLDS

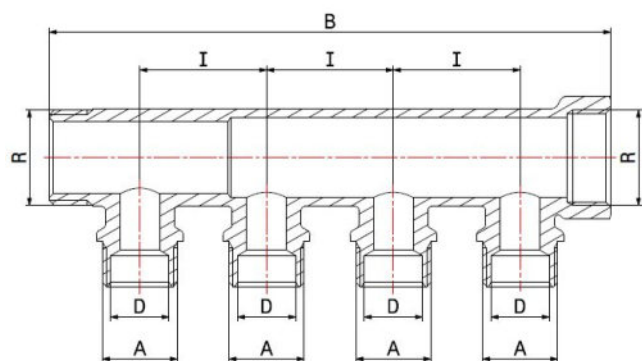
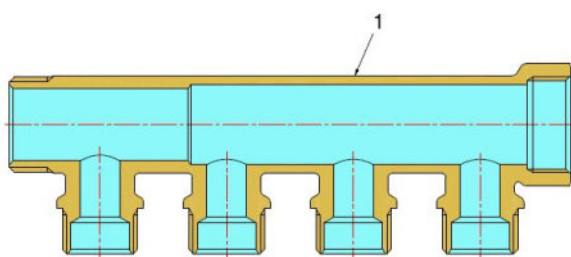
SIMPLE MANIFOLD

3739



- Simple manifold
- 24x19 side connections
- Finishing sandblasted yellow or nickel-plated
- Thread ISO 228
- Temperature range min 0°C - max +95°C

Manifold particularly suitable for distributing sanitary or thermal fluids. Plumbing and heating systems and industrial sector are the ideal fields of application.



COMPONENTS

POS.	PART NAME	N°	MATERIAL
1	Body	1	CW617N UNI-EN 12165

DIMENSIONS

N. OF WAY	R	A	I	B	D	PN
2	3/4"	24x19	35	83	18,1	10
2	1"	24x19	35	90	18,1	10
3	3/4"	24x19	35	118	18,1	10
3	1"	24x19	35	125	18,1	10
4	3/4"	24x19	35	153	18,1	10
4	1"	24x19	35	158	18,1	10
5	3/4"	24x19	35	190	18,1	10
5	1"	24x19	35	195	18,1	10

PACKAGING

	2 WAY 3/4"	2 WAY 1"	3 WAY 3/4"	3 WAY 1"	4 WAY 3/4"	4 WAY 1"	5 WAY 3/4"	5 WAY 1"
NICKEL-PLATED	37391206	37391208	37391306	37391308	37391406	37391408	37391506	37391508
YELLOW	37390206	37390208	37390306	37390308	37390406	37390408	37390506	37390508
PCS BAG	-	-	-	-	-	-	-	-
PCS CARTON	80	50	50	40	50	50	40	30

MANIFOLDS

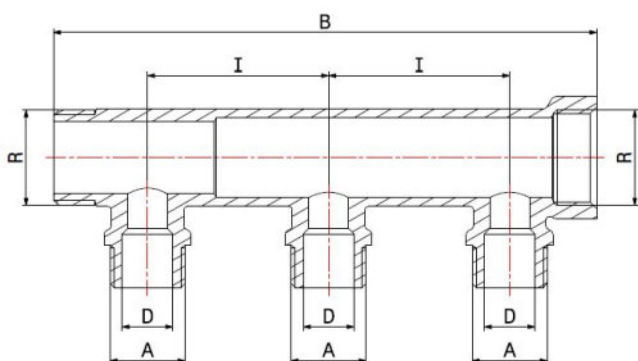
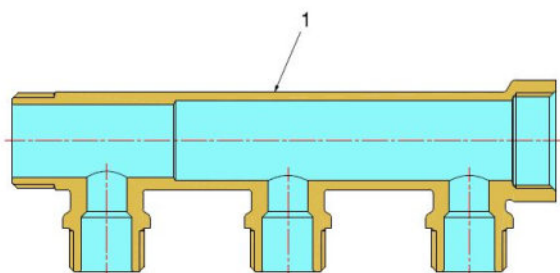
SIMPLE MANIFOLD

3759



- Simple manifold
- 1/2" side connections
- Finishing sandblasted yellow
- Thread ISO 228
- Temperature range min 0°C - max +95°C

Manifold particularly suitable for distributing sanitary or thermal fluids. Plumbing and heating systems and industrial sector are the ideal fields of application.



COMPONENTS

POS.	PART NAME	N°	MATERIAL
1	Body	1	CW617N UNI-EN 12165

DIMENSIONS

N. OF WAY	R	A	I	B	D	PN
2	3/4"	1/2"	50	100	14	10
3	3/4"	1/2"	50	150	14	10

PACKAGING

	2 WAY 3/4"	3 WAY 3/4"
YELLOW	37590206	37590306
PCS BAG	-	-
PCS CARTON	50	50

MANIFOLDS

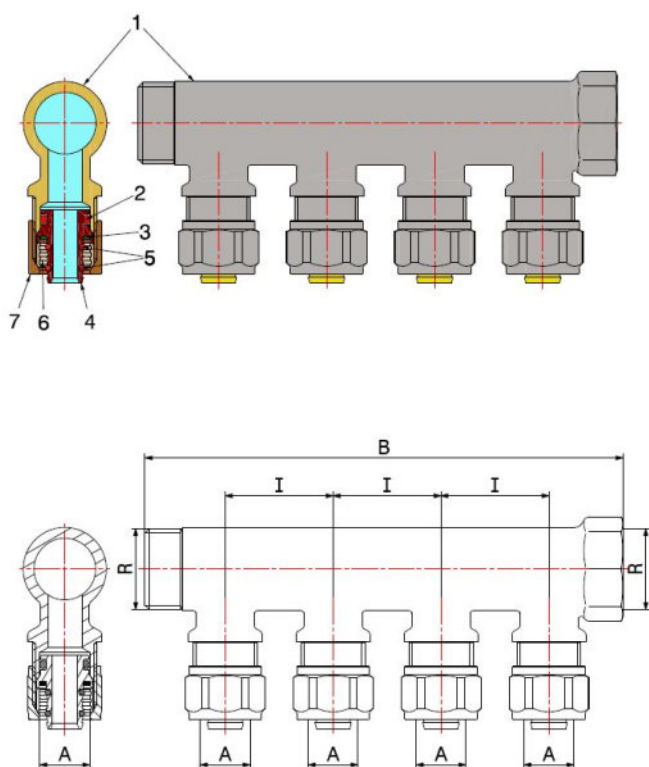
MANIFOLD WITH ADAPTORS

3752



- Manifold with valves and PEX-AL-PEX adaptors
- Finishing nickel-plated
- Thread ISO 228
- Temperature range min 0°C - max +95°C

Manifold particularly suitable for distributing sanitary or thermal fluids. Plumbing and heating systems and industrial sector are the ideal fields of application.



COMPONENTS

POS.	PART NAME	N°	MATERIAL
1	Body	1	CW617N UNI-EN 12165 nickel-plated
2	O-Ring	1	EPDM Perox
3	Washer	1	PTFE
4	Hose-end pipe	1	CW617N UNI-EN 12164
5	O-Ring	2	EPDM Perox
6	Ogive	1	CW617N UNI-EN 12164
7	Nut	1	CW617N UNI-EN 12164 nickel-plated

DIMENSIONS

N. OF WAY	R	A	I	B	PN
2	3/4"	16	35	83	10
2	1"	16	35	90	10
3	3/4"	16	35	118	10
3	1"	16	35	125	10
4	3/4"	16	35	153	10
4	1"	16	35	158	10
5	3/4"	16	36	190	10
5	1"	16	36	195	10

PACKAGING

	2 WAY 3/4"	2 WAY 1"	3 WAY 3/4"	3 WAY 1"	4 WAY 3/4"	4 WAY 1"	5 WAY 3/4"	5 WAY 1"
CODE	3752120616	3752120816	3752130616	3752130816	3752140616	3752140816	3752150616	3752150816
PCS BAG	5	5	5	5	5	5	5	5
PCS CARTON	40	40	30	25	30	25	20	20

MANIFOLDS

MINI-BALL VALVE

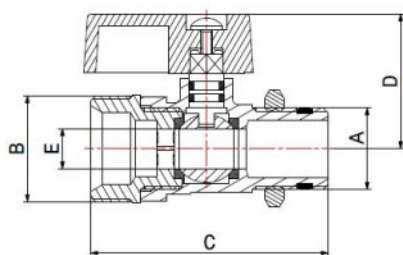
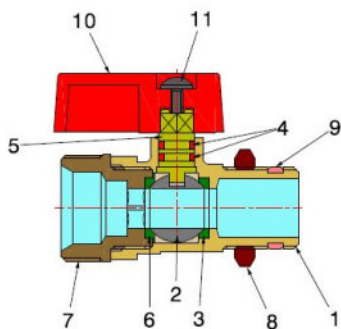
77660000R



- M/M mini-ball output for manifolds 1/2" – M22x1,5 red handle
- Threads ISO 228 and METRIC
- Temperature range min 0°C - max +95°C

Valve suitable for interrupting fluids that are generally non-corrosive, compatibly with the valve materials. Plumbing and heating systems are the ideal fields of application. It's a reduced bore valve and the ball seal is guaranteed by two PTFE seats. The operating mechanism seal features two EPDM PEROX O-Rings with an internally installed stem, anti-ejection system and internal maneuver stops.

It is advisable to carry out a complete maneuver cycle at least once every three months in order to prevent calcareous deposits that could compromise the valve functioning.



COMPONENTS

POS.	PART NAME	N°	MATERIAL
1	Body	1	CW617N UNI-EN 12165
2	Ball	1	CW617N UNI-EN 12164 chrome-plated
3	Seal	1	PTFE
4	O-Ring	2	EPDM Perox
5	Stem	1	CW617N UNI-EN 12164
6	Shaped seal	1	PTFE
7	End connection M22x1,5	1	CW617N UNI-EN 12164
8	Nut	1	CW617N UNI-EN 12164
9	Gasket	1	PTFE
10	Handle	1	Nylon
11	Screw	1	Stainless steel

DIMENSIONS

A	B	C	D	E	PN
1/2"	M22x1,5	60	33	10	25

PACKAGING

	1/2" - M22x1,5
CODE	77660000R
PCS BOX	20
PCS CARTON	200

MANIFOLDS

MINI-BALL VALVE

77660000B

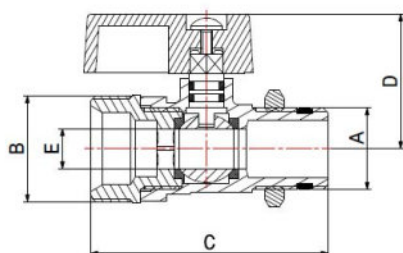
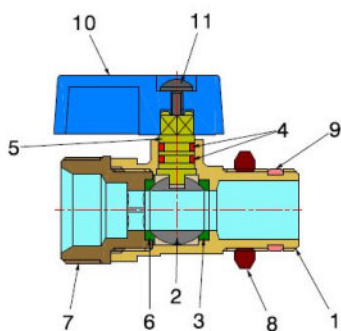


- M/M mini-ball output for manifolds 1/2" – M22x1,5 blue handle
- Threads ISO 228 and METRIC
- Temperature range min 0°C - max +95°C



Valve suitable for interrupting fluids that are generally non-corrosive, compatibly with the valve materials. Plumbing and heating systems are the ideal fields of application. It's a reduced bore valve and the ball seal is guaranteed by two PTFE seats. The operating mechanism seal features two EPDM PEROX O-Rings with an internally installed stem, anti-ejection system and internal maneuver stops.

It is advisable to carry out a complete maneuver cycle at least once every three months in order to prevent calcareous deposits that could compromise the valve functioning.



COMPONENTS

POS.	PART NAME	N°	MATERIAL
1	Body	1	CW617N UNI-EN 12165
2	Ball	1	CW617N UNI-EN 12164 chrome-plated
3	Seal	1	PTFE
4	O-Ring	2	EPDM Perox
5	Stem	1	CW617N UNI-EN 12164
6	Shaped gasket	1	PTFE
7	Ring nut M22x1.5	1	CW617N UNI-EN 12164
8	Nut	1	CW617N UNI-EN 12164
9	Gasket	1	PTFE
10	Handle	1	Nylon
11	Screw	1	Steel

DIMENSIONS

A	B	C	D	E	PN
1/2"	M22x1,5	59,5	33	10	25

PACKAGING

	1/2" - M22x1,5
CODE	77660000B
PCS BOX	20
PCS CARTON	200

MANIFOLDS

MINI-BALL VALVE

77670004R

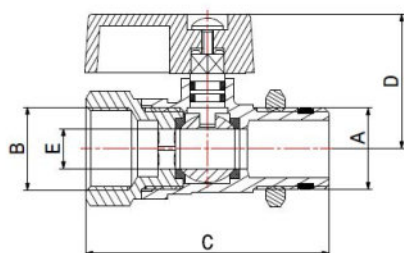
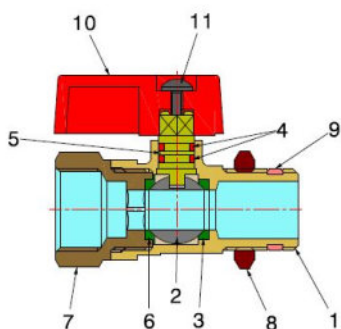


- M/F mini-ball output for manifolds 1/2" red handle
- Thread ISO 228
- Temperature range min 0°C - max +95°C



Valve suitable for interrupting fluids that are generally non-corrosive, compatibly with the valve materials. Plumbing and heating systems are the ideal fields of application. It's a reduced bore valve and the ball seal is guaranteed by two PTFE seats. The operating mechanism seal features two EPDM PEROX O-Rings with an internally installed stem, anti-ejection system and internal maneuver stops.

It is advisable to carry out a complete maneuver cycle at least once every three months in order to prevent calcareous deposits that could compromise the valve functioning.



COMPONENTS

POS.	PART NAME	N°	MATERIAL
1	Body	1	CW617N UNI-EN 12165
2	Ball	1	CW617N UNI-EN 12164 chrome-plated
3	Seal	1	PTFE
4	O-Ring	2	EPDM Perox
5	Stem	1	CW617N UNI-EN 12164
6	Shaped gasket	1	PTFE
7	Ring nut 1/2"	1	CW617N UNI-EN 12165
8	Nut	1	CW617N UNI-EN 12164
9	Gasket	1	PTFE
10	Handle	1	Nylon
11	Screw	1	Steel

DIMENSIONS

A	B	C	D	E	PN
1/2"	1/2"	61	33	10	25

PACKAGING

	1/2" - 1/2"
CODE	77670004R
PCS BOX	20
PCS CARTON	200

MANIFOLDS

MINI-BALL VALVE

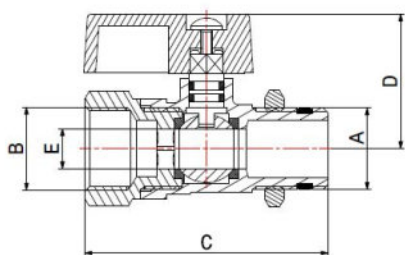
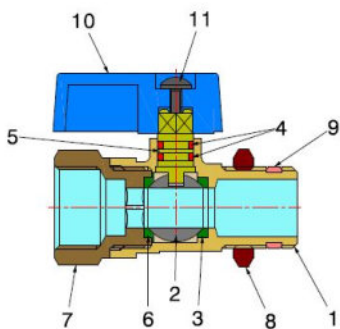
77670004B



- M/F mini-ball output for manifolds 1/2" blue handle
- Thread ISO 228
- Temperature range min 0°C - max +95°C

Valve suitable for interrupting fluids that are generally non-corrosive, compatibly with the valve materials. Plumbing and heating systems are the ideal fields of application. It's a reduced bore valve and the ball seal is guaranteed by two PTFE seats. The operating mechanism seal features two EPDM PEROX O-Rings with an internally installed stem, anti-ejection system and internal maneuver stops.

It is advisable to carry out a complete maneuver cycle at least once every three months in order to prevent calcareous deposits that could compromise the valve functioning.



COMPONENTS

POS.	PART NAME	N°	MATERIAL
1	Body	1	CW617N UNI-EN 12165
2	Ball	1	CW617N UNI-EN 12164 chrome-plated
3	Seal	1	PTFE
4	O-Ring	2	EPDM Perox
5	Stem	1	CW617N UNI-EN 12164
6	Shaped gasket	1	PTFE
7	Ring nut 1/2"	1	CW617N UNI-EN 12165
8	Nut	1	CW617N UNI-EN 12164
9	Gasket	1	PTFE
10	Handle	1	Nylon
11	Screw	1	Steel

DIMENSIONS

A	B	C	D	E	PN
1/2"	1/2"	60	33	10	25

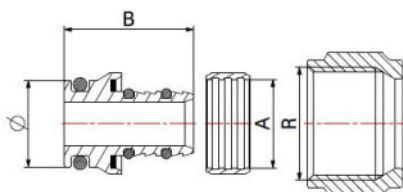
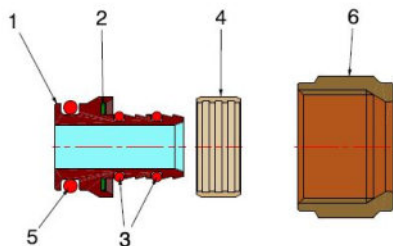
PACKAGING

	1/2" - 1/2"
CODE	77670004B
PCS BOX	20
PCS CARTON	200

ACCESSORIES

PIPE ADAPTOR

3980



- Pex-Al-Pex pipe adaptor
- Maximum operating pressure 10 bar
- Temperature range min 0°C - max +95°C

COMPONENTS

POS.	PART NAME	N°	MATERIAL
1	Hose-end pipe	1	CW617N UNI-EN 12164
2	Washer	1	PTFE
3	O-Ring	2	EPDM Perox
4	Ogive	1	CW617N UNI-EN 12164
5	O-Ring	1	EPDM Perox
6	Nut	1	CW617N UNI-EN 12165 nickel-plated

PIPE DIAMETER AND THICKNESS

Ø	THICKNESS
14	2
16	2
18	2
20	2

DIMENSIONS

A	R	Ø	B
14	1/2"	16	24
14	24x19	18	23
16	1/2"	16	25
16	24x19	18	24
16	3/4"	18	25
18	24x19	18	26
18	3/4"	18	26
20	24x19	18	25,5
20	3/4"	18	28

DIMENSIONS - ARTICLES ON DEMAND

A	R	Ø	B
14	3/4"	18	24

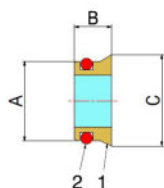
PACKAGING

	14-1/2"	14-24x19	14-3/4"	16-1/2"	16-24x19	16-3/4"	18-24x19	18-3/4"	20-24x19	20-3/4"
CODE	39801404	39801405	39801406	39801604	39801605	39801606	39801805	39801806	39802005	39802006
PCS BOX	10	10	10	10	10	10	10	10	10	10
PCS CARTON	250	250	250	250	250	250	250	250	250	250

ACCESSORIES

SEALING FLAT SEAT

37451604XA



- Sealing flat seat for manifolds with 1/2" side connections

COMPONENTS

POS.	PART NAME	N.	MATERIAL
1	Sealing flat seal	1	CW617N UNI-EN 12164
2	O-Ring	1	EPDM Perox

DIMENSIONS

A	B	C
16	7,5	17

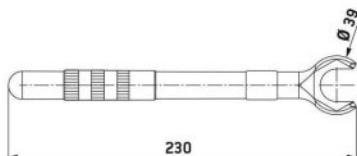
PACKAGING

CODE	37451604XA
PCS BAG	25
PCS CARTON	1000

MANIFOLDS

WRENCH FOR MANIFOLDS

96802530



- Wrench for tightening manifolds 25-30 mm.

PACKAGING

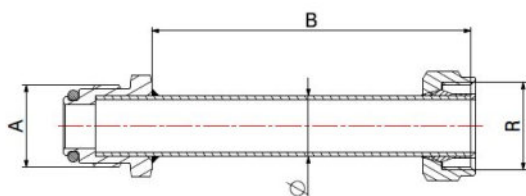
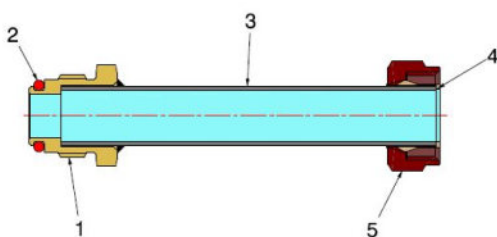
CODE	96802530VM
PCS BOX	-
PCS CARTON	20

ACCESSORIES

FITTING EXTENSION

9620

- Fitting extension with copper pipe
- Maximum operating pressure 10 bar
- Temperature range min 0°C - max+ 95°C



COMPONENTS

POS.	PART NAME	N°	MATERIAL
1	Fitting	1	CW617N UNI-EN 12164 nickel-plated
2	O-Ring	1	EPDM Perox
3	Pipe	1	Nickel-plated copper
4	Ogive	1	CW617N UNI-EN 12165
5	Nut	1	CW617N UNI-EN 12165 nickel-plated

DIMENSIONS

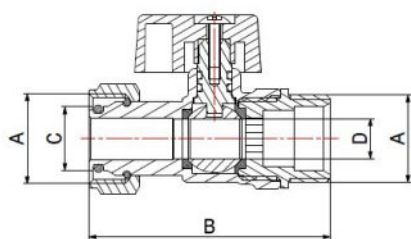
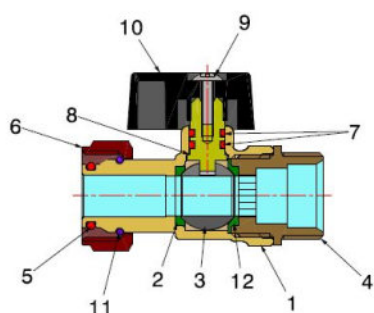
A	B	R	Ø
1/2"	80	M22x1,5	15
1/2"	200	M22x1,5	15

	1/2"x80	1/2"x200
CODE	96200804	96202004

MANIFOLDS

MINI-BALL WITH SWIVEL NUT

7697



- M22x1.5 mini-ball with swivel nut
- Temperature range min -10°C - max +95°C

Valve suitable for distributing and interrupting fluids that are generally non-corrosive, compatibly with the valve materials. Plumbing plant is the ideal field of application. It's a reduced bore valve and the ball seal is guaranteed by two PTFE seats. The operating mechanism seal features two EPDM Perox O-Rings with an internally installed stem and anti-ejection system. It is advisable to carry out a complete maneuver cycle at least once every three months in order to prevent calcareous deposits that could compromise the valve functioning.

COMPONENTS

POS.	PART NAME	N°	MATERIAL
1	Body	1	CW617N UNI-EN 12164
2	Seal	1	PTFE
3	Ball	1	CW14N UNI-EN 12164 nickel-plated
4	Connection	1	CW617N UNI-EN 12164
5	Connection O-Ring	1	EPDM Perox
6	Nut	1	CW617N UNI-EN 12164
7	Stem O-Ring	2	EPDM Perox
8	Stem	1	CW617N UNI-EN 12164
9	Screw	1	CIR UNI 947-72
10	Black plastic lever	1	Glass fiber Nylon PA 6
11	Safety ring	1	AISI 302 stainless steel
12	Shaped retaining ring	1	PTFE

DIMENSIONS

A	B	C	D	PN
M22x1,5	61	16	10	10

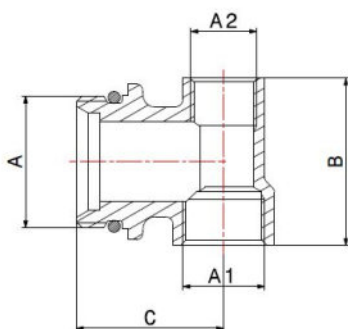
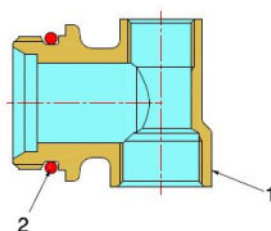
PACKAGING

	M22x1,5
CODE	76970000N
PCS BAG	20
PCS CARTON	200

ACCESSORIES

BRASS END COUPLING

9616



- FxMxF tee coupling with O-Ring
- Finishing sandblasted yellow and nickel plated
- Maximum operating pressure 10 bar
- Thread ISO 228
- Temperature range min 0°C- max 95°C

COMPONENTS

POS.	PART NAME	N°	MATERIAL
1	Fitting	1	CW617N UNI-EN 12165
2	O-Ring	1	EPDM Perox

DIMENSIONS

A	A1	A2	B	C	PN
1"	1/2"	3/8"	42	37	10
3/4"	1/2"	3/8"	42	37	10

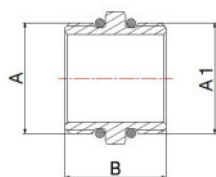
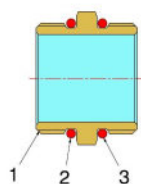
PACKAGING

	3/4" - 3/8" - 1/2"	1" - 3/8" - 1/2"
NICKEL-PLATED	96161106	96161108
YELLOW	96160006	96160008
PCS BOX	10	10
PCS CARTON	120	120

ACCESSORIES

MALE/MALE COUPLING

9610



- Male/Male coupling with O-Ring
- Maximum operating pressure 10 bar
- Thread ISO 228
- Temperature range min 0°C - max +95°C

COMPONENTS

POS.	PART NAME	N°	MATERIAL
1	Body	1	CW617N UNI-EN 12164
2	O-Ring	1	EPDM Perox
3	O-Ring	1	EPDM Perox

DIMENSIONS

A	A1	B	PN
3/4"	1/2"	25	10
1"	3/4"	30	10
1"	1"	30	10

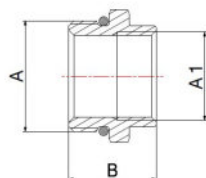
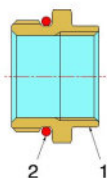
PACKAGING

	3/4" - 1/2"	3/4" - 1"	1" - 1"
CODE	96100604	96100806	96100808
PCS BOX	20	10	10
PCS CARTON	400	200	200

ACCESSORIES

MALE/FEMALE COUPLING

9611



- Male/Female coupling with O-Ring
- Maximum operating pressure 10 bar
- Thread ISO 228
- Temperature range min 0°C - max +95°C

COMPONENTS

POS.	PART NAME	N°	MATERIAL
1	Fitting	1	CW617N UNI-EN 12164
2	O-Ring	1	EPDM Perox

DIMENSIONS

A	A1	B	PN
1"	1/2"	26	10
1"	3/4"	26	10

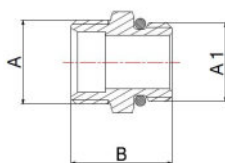
PACKAGING

	1" - 1/2"	1" - 3/4"
CODE	96110804	96110806
PCS BOX	10	10
PCS CARTON	200	200

ACCESSORIES

MALE/MALE COUPLING

9612



- M22x1.5 - 1/2" ISO 228 Male/Male coupling with O-Ring
- Maximum operating pressure 10 bar
- Temperature range min 0°C - max +95°C

COMPONENTS

POS.	PART NAME	N°	MATERIAL
1	Fitting	1	CW617N UNI-EN 12164
2	O-Ring	1	EPDM Perox

DIMENSIONS

A	A1	B	PN
M22x1,5	1/2"	27	10

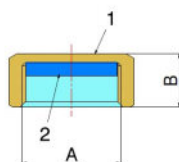
PACKAGING

	M22x1,5 - 1/2"
CODE	96120004
PCS BOX	25
PCS CARTON	400

ACCESSORIES

FEMALE CAP

9619



- M22x1,5 female cap with washer

COMPONENTS

POS.	PART NAME	N°	MATERIAL
1	Cap	1	CW617N UNI-EN 12164
2	Gasket	1	Fasit

DIMENSIONS

A	B	PN
M22x1,5	12	10

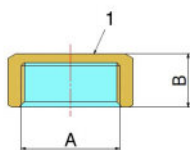
PACKAGING

	M22x1,5
CODE	96190000
PCS BOX	25
PCS CARTON	250

ACCESSORIES

FEMALE CAP

374000



- Female cap
- Thread ISO 228
- Finishing sandblasted yellow and nickel-plated

COMPONENTS

POS.	PART NAME	N°	MATERIAL
1	Body	1	CW617N UNI-EN 12165

DIMENSIONS

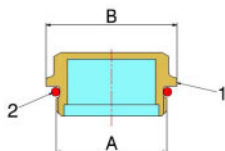
A	B
3/4"	12
1"	14

	3/4"	1"
NICKEL-PLATED	37400006X910	37400008X910
YELLOW	37400006L910	37400008L910

ACCESSORIES

MALE CAP

1900



- Male cap with O-Ring
- Male thread ISO 228
- Temperature range min 0°C - max +95°C

COMPONENTS

POS.	PART NAME	N°	MATERIAL
1	Cap	1	from 3/8" to 1/2" CW617N UNI-EN 12164 - from 3/4" to 1.1/4" CW617N UNI-EN 12165
2	Seal O-Ring	1	NBR

DIMENSIONS

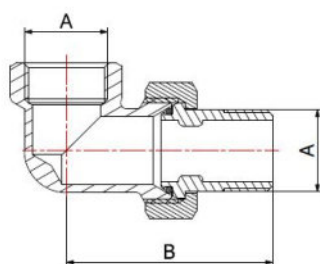
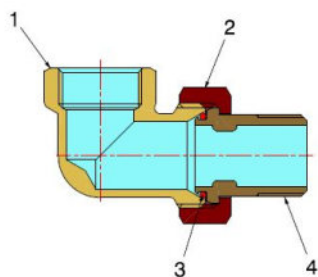
A	B
3/8"	Hexagon 20
1/2"	Ø24
3/4"	Ø32
1"	Ø39
1.1/4"	Ø50

	3/8"	1/2"	3/4"	1"	1.1/4"
NICKEL-PLATED	-	19001104XA	19001106XA	19001108XA	19001110XA
YELLOW	96180003	19000004XA	19000006XA	19000008XA	19000010XA

ACCESSORIES

THREE PIECE ANGLE UNION

3660



- Three piece angle union
- Finishing sandblasted yellow
- Thread ISO 228
- Maximum nominal pressure 16 bar
- Temperature range min 0°C - max+ 95°C

COMPONENTS

POS.	PART NAME	N°	MATERIAL
1	Fitting	1	CW617N UNI-EN 12165
2	Nut	1	CW617N UNI-EN 12165
3	O-Ring	1	NBR
4	Connector	1	CW617N UNI-EN 12165

DIMENSIONS

A	B
1/2"	52
3/4"	65
1"	65

PACKAGING

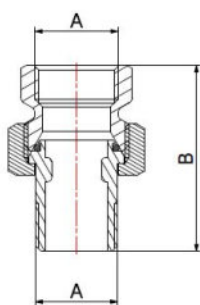
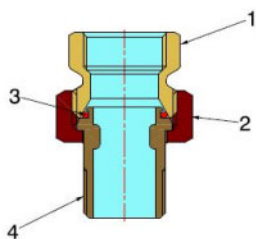
	1/2"	3/4"	1"
CODE	36600004	36600006	36600008
PCS BOX	-	-	-
PCS CARTON	150	100	60

ACCESSORIES

THREE PIECE STRAIGHT UNION

3661

- Three piece straight union
- Finishing sandblasted yellow
- Thread ISO 228
- Maximum nominal pressure 16 bar
- Temperature range min 0°C - max +95°C



COMPONENTS

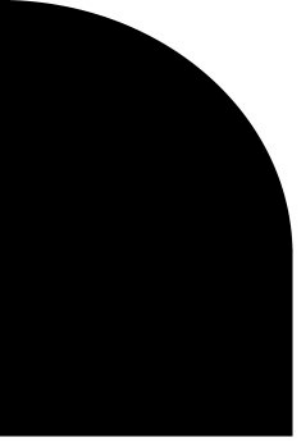
POS.	PART NAME	N°	MATERIAL
1	Fitting	1	CW617N UNI-EN 12165
2	Nut	1	CW617N UNI-EN 12165
3	O-Ring	1	NBR
4	Connector	1	CW617N UNI-EN 12165

DIMENSIONS

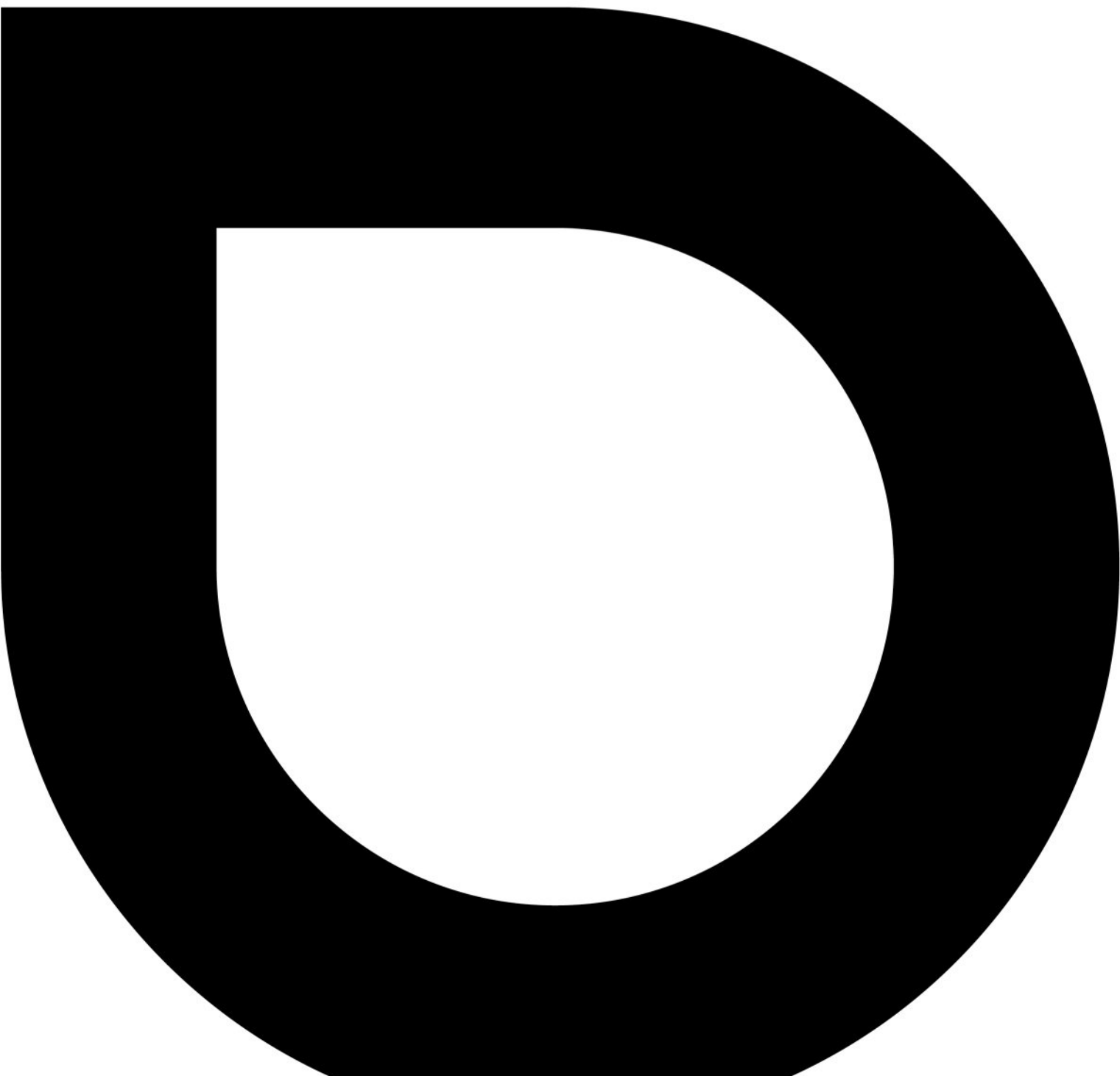
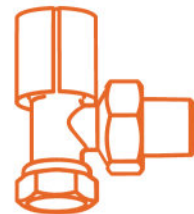
A	B
1/2"	52
3/4"	65
1"	65

PACKAGING

	1/2"	3/4"	1"
CODE	36610004	36610006	36610008
PCS BOX	-	-	-
PCS CARTON	250	100	80



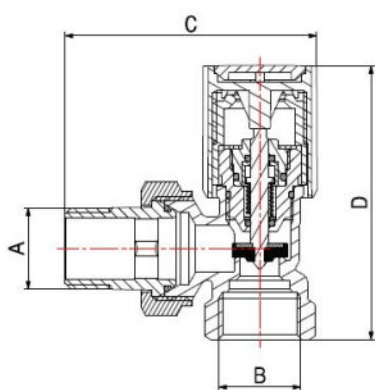
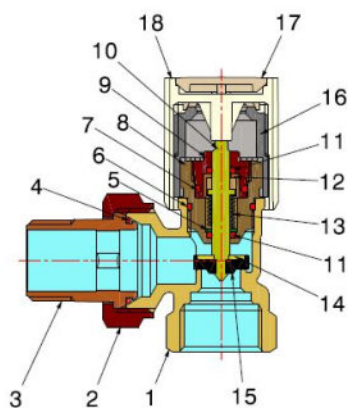
05
**VALVES AND
LOCKSHIELDS FOR
RADIATORS**



RADIATOR VALVES

THERMOSTATIC VALVE

5609



- Female angle thermostatic radiator valve
- To be used with lockshield valve art. 5603
- Maximum nominal pressure 10 bar
- Temperature range min 0°C –max+ 95°C

Valve suitable for distributing, interrupting and regulating heat transfer fluids. Residential thermal systems are the ideal field of application. In the version with thermostatic head, the valve allows to set and automatically keep the room temperature.

The seat tightness is guaranteed by a EPDM PEROX seal, particularly recommended with water-glycol solutions, with a maximum glycol presence of 50%.

COMPONENTS

POS.	PART NAME	N°	MATERIAL
1	Body	1	CW617N UNI-EN 12165 nickel-plated
2	Nut	1	CW617N UNI-EN 12165 nickel-plated
3	Connector	1	CW617N UNI-EN 12165 nickel-plated
4	Connector O-Ring	1	EPDM Perox
5	Washer	1	CW508L UNI-EN 1652
6	O-Ring	1	EPDM Perox
7	O-Ring	1	EPDM Perox
8	Upper part body	1	CW617N UNI-EN 12164
9	Ring	1	CW617N UNI-EN 12164
10	Rod	1	Stainless steel
11	O-Ring	2	EPDM Perox
12	O-Ring lock insert	1	CW617N UNI-EN 12164
13	Spring	1	AISI 302 stainless steel
14	Gasket lock washer	1	CW508L UNI-EN 1552
15	Gasket	1	EPDM Perox
16	Handle inner insert	1	POM (Hostaform ®)
17	Cap	1	ABS
18	Handle	1	ABS

DIMENSIONS

A	B	C	D	PN
3/8"	1/2"	66	68	10
1/2"	1/2"	66	68	10

PACKAGING

	3/8" - 1/2"	1/2" - 1/2"
CODE	56090403	56090404
PCS BOX	15	15
PCS CARTON	150	150

RADIATOR VALVES

THERMOSTATIC VALVE

5611



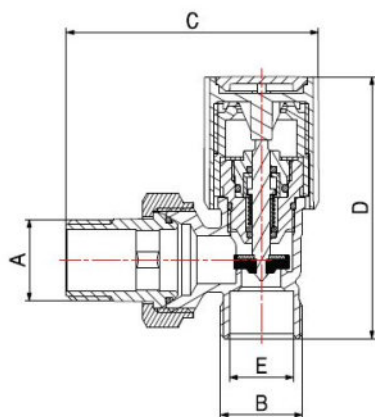
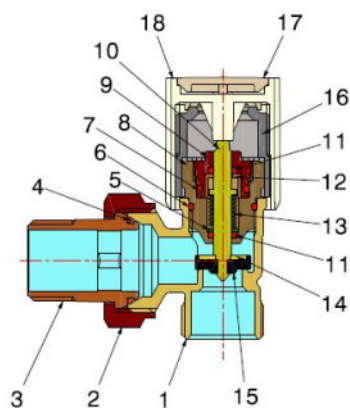
- Male angle thermostatic radiator valve with interchangeable connection for copper, plastic and multi-layer pipes
- To be used with lockshield valve art. 5607
- Maximum nominal pressure 10 bar
- Temperature range min 0°C - max +95°C



Valve suitable for distributing, interrupting and regulating heat transfer fluids. Residential thermal systems are the ideal field of application. In the version with thermostatic head, the valve allows to set and automatically keep the room temperature. The seat tightness is guaranteed by a EPDM PEROX seal, particularly recommended with water-glycol solutions, with a maximum glycol presence of 50%.

COMPONENTS

POS.	PART NAME	N°	MATERIAL
1	Body	1	CW617N UNI-EN 12165 nickel-plated
2	Nut	1	CW617N UNI-EN 12165 nickel-plated
3	Connector	1	CW617N UNI-EN 12165 nickel-plated
4	Connector O-Ring	1	EPDM Perox
5	Washer	1	CW508L UNI-EN 1652
6	O-Ring	1	EPDM Perox
7	O-Ring	1	EPDM Perox
8	Upper part body	1	CW617N UNI-EN 12164
9	Ring	1	CW617N UNI-EN 12164
10	Rod	1	Stainless steel
11	O-Ring	2	EPDM Perox
12	O-Ring lock insert	1	CW617N UNI-EN 12164
13	Spring	1	AISI 302 stainless steel
14	Gasket lock washer	1	CW508L UNI-EN 1652
15	Gasket	1	EPDM Perox
16	Handle inner insert	1	POM (Hostaform®)
17	Cap	1	ABS
18	Handle	1	ABS



DIMENSIONS

A	B	C	D	E	PN
3/8"	24x19	63	66	16,1	10
1/2"	24x19	63	66	18,1	10

PACKAGING

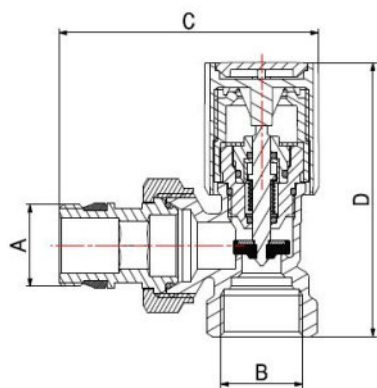
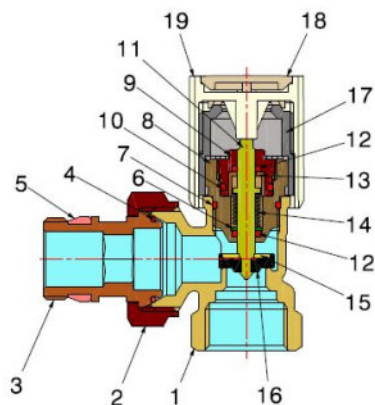
	3/8" - 24x19	1/2" - 24x19
CODE	56110503	56110504
PCS BOX	15	15
PCS CARTON	150	150

RADIATORS VALVES

THERMOSTATIC VALVE

PTFE

5609E



- Female angle thermostatic radiator valve connector with PTFE seal
- To be used with lockshield valve art. 5603E
- Maximum nominal pressure 10 bar
- Temperature range min 0°C - max +95°C

Valve suitable for distributing, interrupting and regulating heat transfer fluids. Residential thermal systems are the ideal field of application. In the version with thermostatic head, the valve allows to set and automatically keep the room temperature.

The seat tightness is guaranteed by a EPDM PEROX seal, particularly recommended with water-glycol solutions, with a maximum glycol presence of 50%.

COMPONENTS

POS.	PART NAME	N°	MATERIAL
1	Body	1	CW617N UNI-EN 12165 nickel-plated
2	Nut	1	CW617N UNI-EN 12165 nickel-plated
3	Connector	1	CW617N UNI-EN 12164 nickel-plated
4	Connector O-Ring	1	EPDM Perox
5	Ring for thread seal	1	PTFE
6	Washer	1	OT63 (CuZn37 UNI-EN 1652)
7	O-Ring	1	EPDM Perox
8	Upper part body	1	CW617N UNI-EN 12164
9	Ring	1	CW617N UNI-EN 12164
10	O-Ring	1	EPDM Perox
11	Rod	1	Stainless steel
12	O-Ring	2	EPDM Perox
13	O-Ring lock insert	1	CW617N UNI-EN 12164
14	Spring	1	AISI 302 stainless steel
15	Gasket lock washer	1	CW508L UNI-EN 1552
16	Gasket	1	EPDM Perox
17	Handle inner insert	1	POM (Hostaform®)
18	Cap	1	ABS
19	Handle	1	ABS

DIMENSIONS

A	B	C	D	PN
3/8"	1/2"	66	68	10
1/2"	1/2"	66	68	10

PACKAGING

	3/8" - 1/2"	1/2" - 1/2"
CODE	56090403E	56090404E
PCS BOX	15	15
PCS CARTON	150	150

RADIATOR VALVES

THERMOSTATIC VALVE

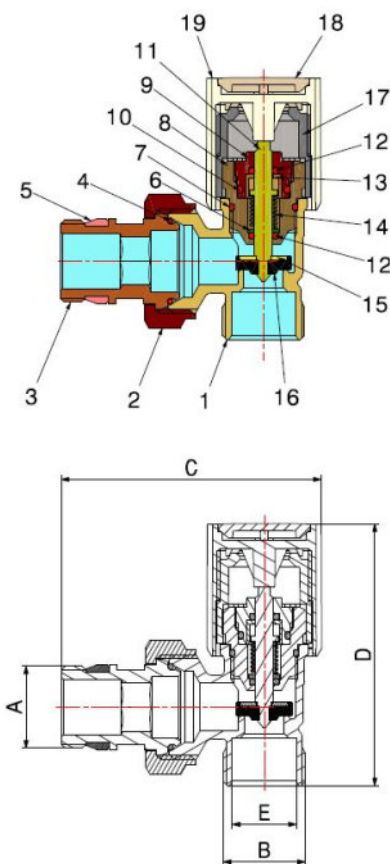
5611E



- Male angle thermostatic radiator valve with PTFE connector with interchangeable connection for copper, plastic and multi-layer pipes
- To be used with lockshield valve art. 5607E
- Maximum nominal pressure 10 bar
- Temperature range min 0°C - max +95°C



Valve suitable for distributing, interrupting and regulating heat transfer fluids. Residential thermal systems are the ideal field of application. In the version with thermostatic head, the valve allows to set and automatically keep the room temperature. The seat tightness is guaranteed by a EPDM PEROX seal, particularly recommended with water-glycol solutions, with a maximum glycol presence of 50%.



COMPONENTS

POS.	PART NAME	N°	MATERIAL
1	Body	1	CW617N UNI-EN 12165 nickel-plated
2	Nut	1	CW617N UNI-EN 12165 nickel-plated
3	Connector	1	CW617N UNI-EN 12164 nickel-plated
4	Connector O-Ring	1	EPDM Perox
5	Ring for thread seal	1	PTFE
6	Washer	1	OT63 (CuZn37 UNI-EN 1652)
7	O-Ring	1	EPDM Perox
8	Upper part body	1	CW617N UNI-EN 12164
9	Ring	1	CW617N UNI-EN 12164
10	O-Ring	1	EPDM Perox
11	Rod	1	Stainless steel
12	O-Ring	2	EPDM Perox
13	O-Ring lock insert	1	CW617N UNI-EN 12164
14	Spring	1	AISI 302 stainless steel
15	Gasket lock washer	1	CW508L UNI-EN 1552
16	Gasket	1	EPDM Perox
17	Handle inner insert	1	POM (Hostaform®)
18	Cap	1	ABS
19	Handle	1	ABS

DIMENSIONS

A	B	C	D	E	PN
3/8"	24x19	63	66	18,1	10
1/2"	24x19	63	66	18,1	10

PACKAGING

	3/8" - 24x19	3/8" - 24x19
CODE	56110503E	56110504E
PCS BOX	15	15
PCS CARTON	150	150

RADIATOR VALVES

THERMOSTATIC HEAD WITH RING

56140002

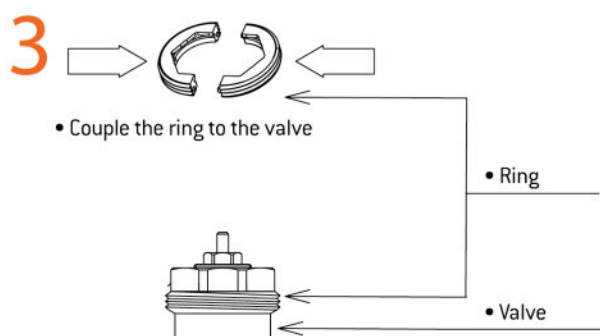
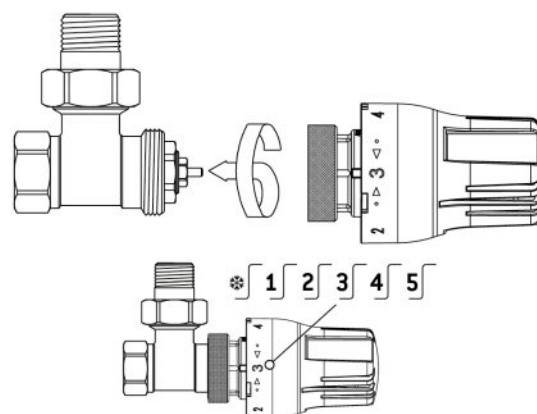
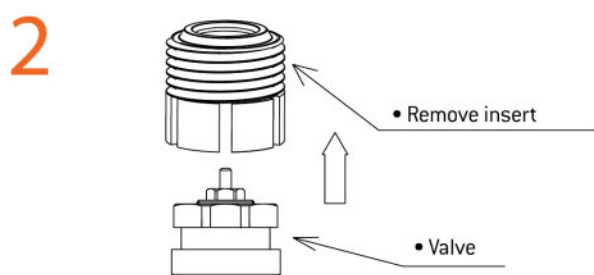
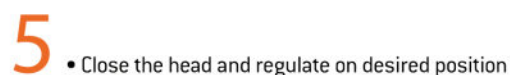
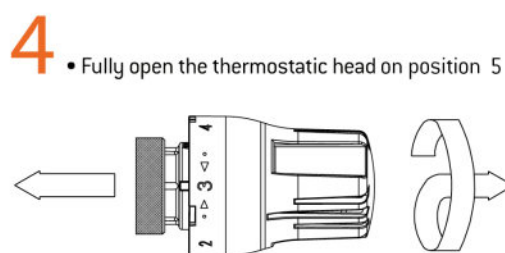
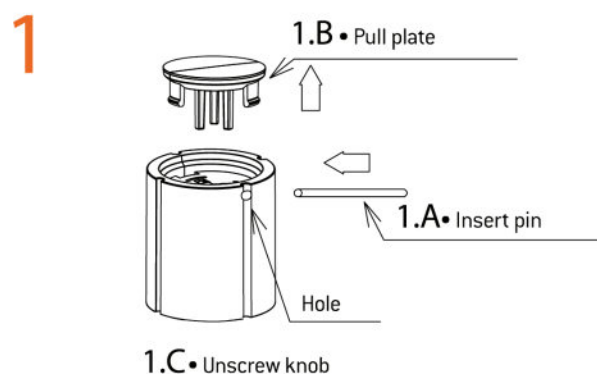
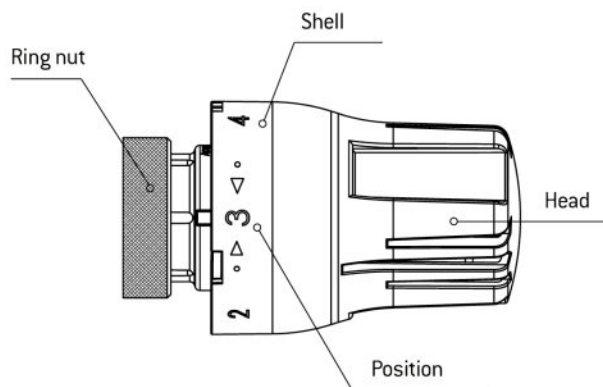
- Thermostatic head with ring and box



PACKAGING

	1/2"
CODE	56140002
PCS BOX	1
PCS CARTON	100

INSTRUCTION DISASSEMBLY HANDLE GRIP AND ASSEMBLY RING AND THERMOSTATIC HEAD

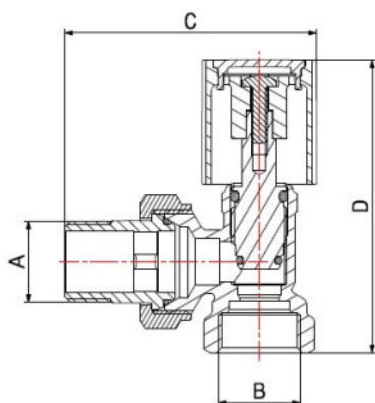
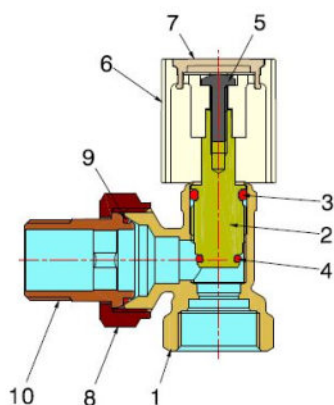


- Maximum working pressure : 10 bar
- Maximum differential pressure : 1 bar
- Maximum working temperature : 120 °c
- Maximum room temperature : 40 °c
- Scale of adjustment : [] - 5 *
- Temperature range : 6-30 °c
- Frost protection cut-in : 6 °c
- The thermostatic head, to work correctly, has to be used only with the valves produced by Idrosanitaria Bonomi S.p.A., for those it has been calibrated.

RADIATOR VALVES

RADIATOR VALVE

5601



- Female angle radiator valve
- To be used with lockshield valve art. 5603
- Maximum nominal pressure 10 bar
- Temperature range min 0°C - max +95°C

Valve suitable for distributing, interrupting and regulating heat transfer fluids. Residential thermal systems are the ideal field of application. In the version with thermostatic head, the valve allows to set and automatically keep the room temperature.

The seat tightness is guaranteed by a EPDM PEROX seal, particularly recommended with water-glycol solutions, with a maximum glycol presence of 50%.

COMPONENTS

POS.	PART NAME	N°	MATERIAL
1	Body	1	CW617N UNI-EN 12165 nickel-plated
2	Upper part	1	CW617N UNI-EN 12164
3	O-Ring	1	EPDM Perox
4	O-Ring	1	EPDM Perox
5	Screw	1	Galvanised iron
6	Handle	1	ABS
7	Handle cap	1	ABS
8	Nut	1	CW617N UNI-EN 12165 nickel-plated
9	Connector O-Ring	1	NBR
10	Connector	1	CW617N UNI-EN 12165 nickel-plated

DIMENSIONS

A	B	C	D	PN
3/8"	3/8"	63	70	10
3/8"	1/2"	63	70	10
1/2"	3/8"	63	70	10
1/2"	1/2"	63	70	10

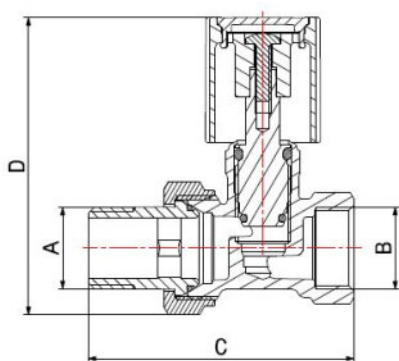
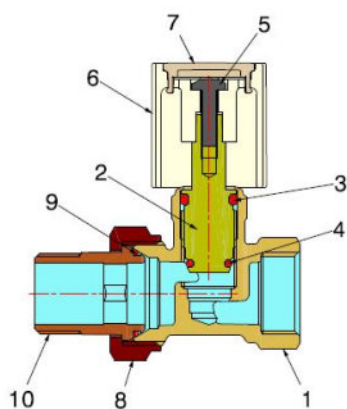
PACKAGING

	connector 3/8" - 3/8" female	connector 1/2" - 3/8" female	connector 3/8" - 1/2" female	connector 1/2" - 1/2" female
CODE	56010303	56010304	56010403	56010404
PCS BOX	15	15	15	15
PCS CARTON	150	150	150	150

RADIATOR VALVES

RADIATOR VALVE

5602



- Female straight radiator valve
- To be used with lockshield valve art. 5604
- Maximum nominal pressure 10 bar
- Temperature range min 0°C - max +95°C

Valve suitable for distributing, interrupting and regulating heat transfer fluids. Residential thermal systems are the ideal field of application. In the version with thermostatic head, the valve allows to set and automatically keep the room temperature.

The seat tightness is guaranteed by a EPDM PEROX seal, particularly recommended with water-glycol solutions, with a maximum glycol presence of 50%.

COMPONENTS

POS.	PART NAME	N°	MATERIAL
1	Body	1	CW617N UNI-EN 12165 nickel-plated
2	Upper part	1	CW617N UNI-EN 12164
3	O-Ring	1	EPDM Perox
4	O-Ring	1	EPDM Perox
5	Screw	1	Galvanised iron
6	Handle	1	ABS
7	Handle cap	1	ABS
8	Nut	1	CW617N UNI-EN 12165 nickel-plated
9	Connector O-Ring	1	EPDM Perox
10	Connector	1	CW617N UNI-EN 12165 nickel-plated

DIMENSIONS

A	B	C	D	PN
3/8"	1/2"	67	76	10
1/2"	1/2"	67	76	10

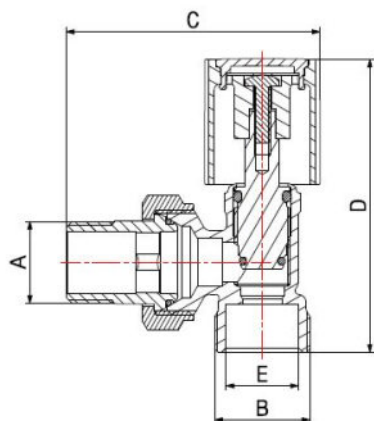
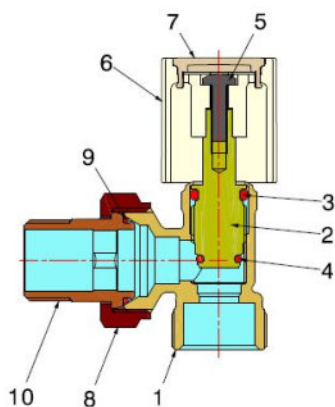
PACKAGING

	3/8" - 1/2"	1/2" - 1/2"
CODE	56020403	56020404
PCS BOX	15	15
PCS CARTON	150	150

RADIATOR VALVES

RADIATOR VALVE

5605



- Male angle radiator valve with interchangeable connection for copper, plastic and multi-layer pipes
- To be used with lockshield valve art. 5607
- Maximum nominal pressure 10 bar
- Temperature range min 0°C - max +95°C

Valve suitable for distributing, interrupting and regulating heat transfer fluids. Residential thermal systems are the ideal field of application. In the version with thermostatic head, the valve allows to set and automatically keep the room temperature. The seat tightness is guaranteed by a EPDM PEROX seal, particularly recommended with water-glycol solutions, with a maximum glycol presence of 50%.

COMPONENTS

POS.	PART NAME	N°	MATERIAL
1	Body	1	CW617N UNI-EN 12165 nickel-plated
2	Upper part	1	CW617N UNI-EN 12164
3	O-Ring	1	EPDM Perox
4	O-Ring	1	EPDM Perox
5	Screw	1	Galvanised iron
6	Handle	1	ABS
7	Handle cap	1	ABS
8	Nut	1	CW617N UNI-EN 12165 nickel-plated
9	O-Ring connector	1	EPDM Perox
10	Connector	1	CW617N UNI-EN 12165 nickel-plated

DIMENSIONS

A	B	C	D	E	PN
3/8"	24x19	63	71	18,1	10
1/2"	24x19	63	71	18,1	10

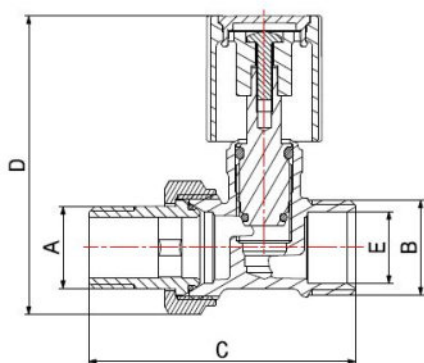
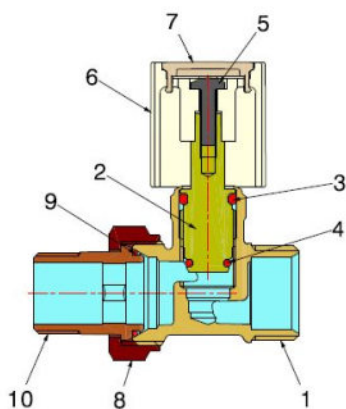
PACKAGING

	3/8" - 24x19	1/2" - 24x19
CODE	56050503	56050504
PCS BOX	15	15
PCS CARTON	150	150

THERMOSTATIC VALVE

RADIATOR VALVE

5606



- Male straight radiator valve with interchangeable connection for copper, plastic and multi-layer pipes
- To be used with lockshied valve art. 5608
- Maximum nominal pressure 10 bar
- Temperature range min 0°C - max +95°C

Valve suitable for distributing, interrupting and regulating heat transfer fluids. Residential thermal systems are the ideal field of application. In the version with thermostatic head, the valve allows to set and automatically keep the room temperature. The seat tightness is guaranteed by a EPDM PEROX seal, particularly recommended with water-glycol solutions, with a maximum glycol presence of 50%.

COMPONENTS

POS.	PART NAME	N°	MATERIAL
1	Body	1	CW617N UNI-EN 12165 nickel-plated
2	Upper part	1	CW617N UNI-EN 12164
3	O-Ring	1	EPDM Perox
4	O-Ring	1	EPDM Perox
5	Screw	1	Galvanised iron
6	Handle	1	ABS
7	Handle cap	1	ABS
8	Nut	1	CW617N UNI-EN 12165 nickel-plated
9	Extension O-Ring	1	EPDM Perox
10	Extension	1	CW617N UNI-EN 12165 nickel-plated

DIMENSIONS

A	B	C	D	E	PN
3/8"	24x19	67	74	18,1	10
1/2"	24x19	67	74	18,1	10

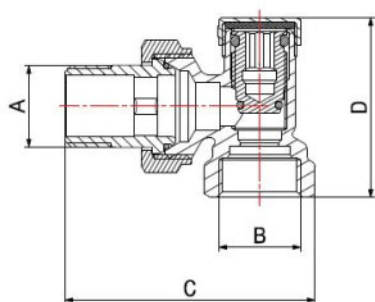
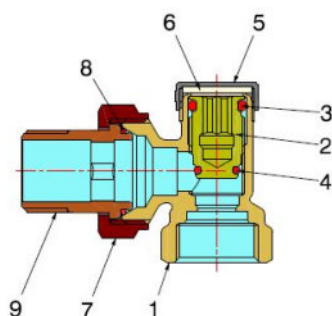
PACKAGING

	3/8" - 24x19	1/2" - 24x19
CODE	56060503	56060504
PCS BOX	15	15
PCS CARTON	150	150

RADIATOR VALVES

LOCKSHIELD VALVE

5603



- Female angle lockshield valve
- Maximum nominal pressure 10 bar
- Temperature range min 0°C - max +95°C

Valve suitable for distributing, interrupting and regulating heat transfer fluids. Residential thermal systems are the ideal field of application. In the version with thermostatic head, the valve allows to set and automatically keep the room temperature. The seat tightness is guaranteed by a EPDM PEROX seal, particularly recommended with water-glycol solutions, with a maximum glycol presence of 50%.

COMPONENTS

POS.	PART NAME	N°	MATERIAL
1	Body	1	CW617N UNI-EN 12165 nickel-plated
2	Upper part	1	CW617N UNI-EN 12164
3	O-Ring	1	EPDM Perox
4	O-Ring	1	EPDM Perox
5	Cap	1	ABS
6	Cap seal	1	NBR
7	Nut	1	CW617N UNI-EN 12165 nickel-plated
8	O-Ring	1	EPDM Perox
9	Connector	1	CW617N UNI-EN 12165 nickel-plated

DIMENSIONS

A	B	C	D	PN
3/8"	3/8"	63	49	10
3/8"	1/2"	63	49	10
1/2"	3/8"	63	49	10
1/2"	1/2"	63	49	10

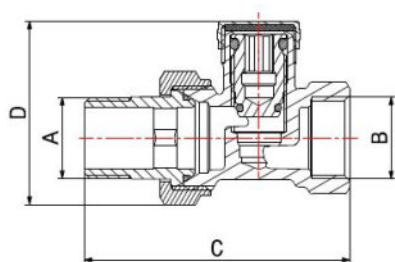
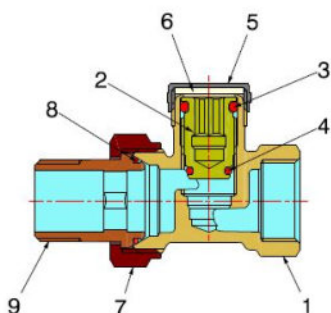
PACKAGING

	connector 3/8" - 3/8" female	connector 1/2" - 3/8" female	connector 3/8" - 1/2" female	connector 1/2" - 1/2" female
CODE	56030303	56030304	56030403	56030404
PCS BOX	15	15	15	15
PCS CARTON	150	150	150	150

RADIATOR VALVES

LOCKSHIELD VALVE

5604



- Female straight lockshield valve
- Maximum nominal pressure 10 bar
- Temperature range min 0°C - max +95°C

Valve suitable for distributing, interrupting and regulating heat transfer fluids. Residential thermal systems are the ideal field of application. In the version with thermostatic head, the valve allows to set and automatically keep the room temperature. The seat tightness is guaranteed by a EPDM PEROX seal, particularly recommended with water-glycol solutions, with a maximum glycol presence of 50%.

COMPONENTS

POS.	PART NAME	N°	MATERIAL
1	Body	1	CW617N UNI-EN 12165 nickel-plated
2	Upper part	1	CW617N UNI-EN 12164
3	O-Ring	1	EPDM Perox
4	O-Ring	1	EPDM Perox
5	Cap	1	CW617N UNI-EN 12164 nickel-plated
6	Gasket cap	1	PVC
7	Nut	1	CW617N UNI-EN 12165 nickel-plated
8	O-Ring connector	1	EPDM Perox
9	Connector	1	CW617N UNI-EN 12165 nickel-plated

DIMENSIONS

A	B	C	D	PN
3/8"	1/2"	67	51	10
1/2"	1/2"	67	53	10

PACKAGING

	3/8" - 1/2"	1/2" - 1/2"
CODE	56040403	56040404
PCS BOX	15	15
PCS CARTON	150	150

RADIATOR VALVES

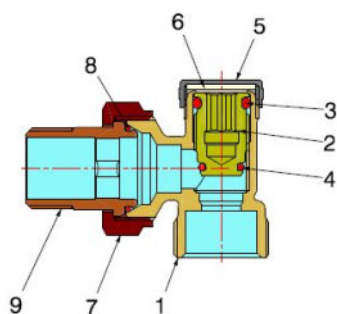
LOCKSHIELD VALVE

5607



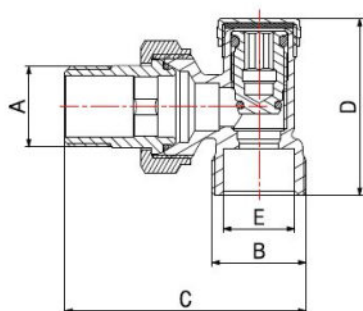
- Male angle lockshield valve with interchangeable connection for copper, plastic and multi-layer pipes
- Maximum nominal pressure 10 bar
- Temperature range min 0°C - max +95°C

Valve suitable for distributing, interrupting and regulating heat transfer fluids. Residential thermal systems are the ideal field of application. In the version with thermostatic head, the valve allows to set and automatically keep the room temperature. The seat tightness is guaranteed by a EPDM PEROX seal, particularly recommended with water-glycol solutions, with a maximum glycol presence of 50%.



COMPONENTS

POS.	PART NAME	N°	MATERIAL
1	Body	1	CW617N UNI-EN 12165 nickel-plated
2	Upper part	1	CW617N UNI-EN 12164
3	O-Ring	1	EPDM Perox
4	O-Ring	1	EPDM Perox
5	Cap	1	CW617N UNI-EN 12164 nickel-plated
6	Cap gasket	1	PVC
7	Nut	1	CW617N UNI-EN 12165 nickel-plated
8	O-Ring connector	1	EPDM Perox
9	Connector	1	CW617N UNI-EN 12165 nickel-plated



DIMENSIONS

A	B	C	D	E	PN
3/8"	24x19	62	46	18,1	10
1/2"	24x19	63	46	18,1	10

PACKAGING

	3/8" - 24x19	1/2" - 24x19
CODE	56070503	56070504
PCS BOX	15	15
PCS CARTON	150	150

RADIATOR VALVES

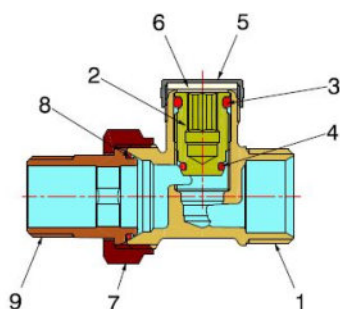
LOCKSHIELD VALVE

5608



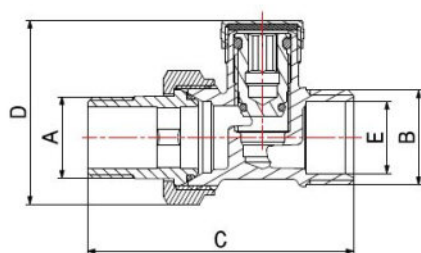
- Male straight lockshield valve with interchangeable connection for copper, plastic and multi-layer pipes
- Maximum nominal pressure 10 bar
- Temperature range min 0°C - max +95°C

Valve suitable for distributing, interrupting and regulating heat transfer fluids. Residential thermal systems are the ideal field of application. In the version with thermostatic head, the valve allows to set and automatically keep the room temperature. The seat tightness is guaranteed by a EPDM PEROX seal, particularly recommended with water-glycol solutions, with a maximum glycol presence of 50%.



COMPONENTS

POS.	PART NAME	N°	MATERIAL
1	Body	1	CW617N UNI-EN 12165 nickel-plated
2	Upper part	1	CW617N UNI-EN 12164
3	O-Ring	1	EPDM Perox
4	O-Ring	1	EPDM Perox
5	Cap	1	CW617N UNI-EN 12164 nickel-plated
6	Cap gasket	1	PVC
7	Nut	1	CW617N UNI-EN 12165 nickel-plated
8	O-Ring connector	1	EPDM Perox
9	Connector	1	CW617N UNI-EN 12165 nickel-plated



DIMENSIONS

A	B	C	D	E	PN
3/8"	24x19	67	51	18,1	10
1/2"	24x19	67	53	18,1	10

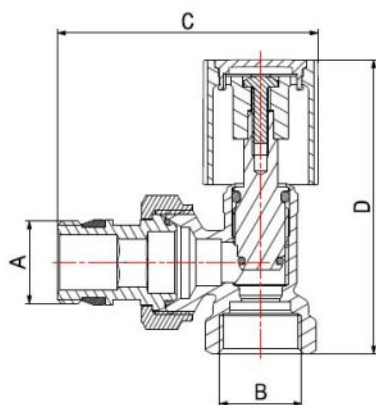
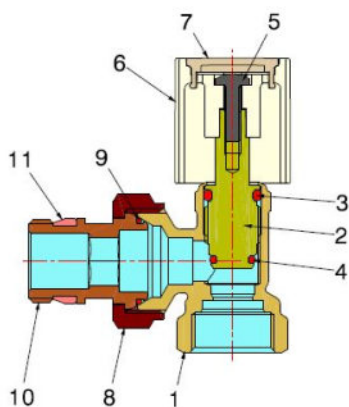
PACKAGING

	3/8" - 24x19	1/2" - 24x19
CODE	56080503	56080504
PCS BOX	15	15
PCS CARTON	150	150

RADIATOR VALVES

RADIATOR VALVE

5601E



- Female angle radiator valve - connector with PTFE seal
- To be used with lockshield valve art. 5603E
- Maximum nominal pressure 10 bar
- Temperature range min 0°C - max +95°C

Valve suitable for distributing, interrupting and regulating heat transfer fluids. Residential thermal systems are the ideal field of application. In the version with thermostatic head, the valve allows to set and automatically keep the room temperature.

The seat tightness is guaranteed by a EPDM PEROX seal, particularly recommended with water-glycol solutions, with a maximum glycol presence of 50%.

COMPONENTS

POS.	PART NAME	N°	MATERIAL
1	Body	1	CW617N UNI-EN 12165 nickel-plated
2	Upper part	1	CW617N UNI-EN 12164
3	O-Ring	1	EPDM Perox
4	O-Ring	1	EPDM Perox
5	Screw	1	Galvanised iron
6	Handle	1	ABS
7	Handle cap	1	ABS
8	Nut	1	CW617N UNI-EN 12165 nickel-plated
9	Connector O-Ring	1	EPDM Perox
10	Connector	1	CW617N UNI-EN 12164 nickel-plated
11	Ring for thread seal	1	PTFE

DIMENSIONS

A	B	C	D	PN
3/8"	3/8"	65	70	10
3/8"	1/2"	65	70	10
1/2"	3/8"	65	70	10
1/2"	1/2"	65	70	10

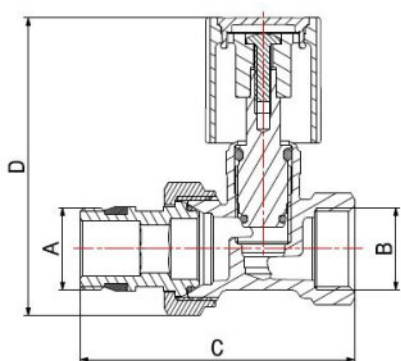
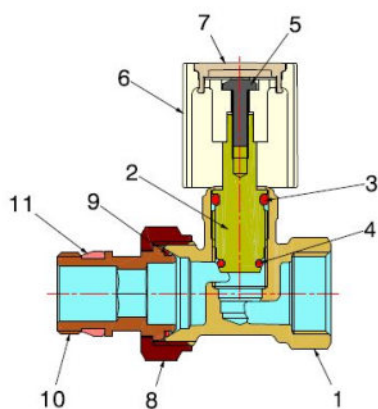
PACKAGING

	connector 3/8" - 3/8" female	connector 1/2" - 3/8" female	connector 3/8" - 1/2" female	connector 1/2" - 1/2" female
CODE	56010303E	56010304E	56010403E	56010404E
PCS BOX	15	15	15	15
PCS CARTON	150	150	150	150

RADIATOR VALVES

RADIATOR VALVE

5602E



- Female straight radiator valve - connector with PTFE seal
- To be used with lockshield valve art. 5604E
- Maximum nominal pressure 10 bar
- Temperature range min 0°C - max +95°C

Valve suitable for distributing, interrupting and regulating heat transfer fluids. Residential thermal systems are the ideal field of application. In the version with thermostatic head, the valve allows to set and automatically keep the room temperature.

The seat tightness is guaranteed by a EPDM PEROX seal, particularly recommended with water-glycol solutions, with a maximum glycol presence of 50%.

COMPONENTS

POS.	PART NAME	N°	MATERIAL
1	Body	1	CW617N UNI-EN 12165 nickel-plated
2	Upper part	1	CW617N UNI-EN 12164
3	O-Ring	1	EPDM Perox
4	O-Ring	1	EPDM Perox
5	Screw	1	Galvanised iron
6	Handle	1	ABS
7	Handle cap	1	ABS
8	Nut	1	CW617N UNI-EN 12165 nickel-plated
9	O-Ring connector	1	EPDM Perox
10	Connector	1	CW617N UNI-EN 12164 nickel-plated
11	Ring for thread seal	1	PTFE

DIMENSIONS

A	B	C	D	PN
3/8"	1/2"	67	71	10
1/2"	1/2"	67	71	10

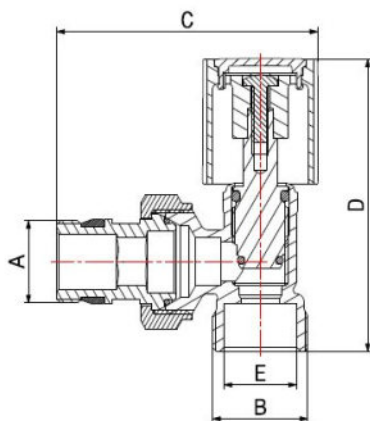
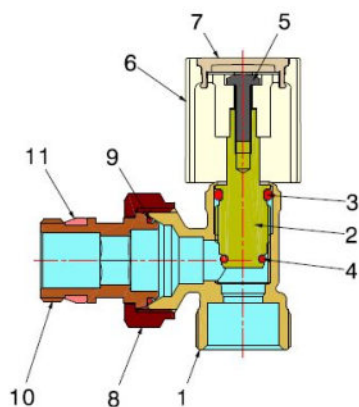
PACKAGING

	3/8" - 1/2"	1/2" - 1/2"
CODE	56020403E	56020404E
PCS BOX	15	15
PCS CARTON	150	150

RADIATOR VALVES

RADIATOR VALVE

5605E



- Male angle radiator valve, connector with PTFE seal and interchangeable connection for copper, plastic and multi-layer pipes
- To be used with lockshield valve art. 5607E
- Maximum nominal pressure 10 bar
- Temperature range min 0°C - max +95°C

Valve suitable for distributing, interrupting and regulating heat transfer fluids. Residential thermal systems are the ideal field of application. In the version with thermostatic head, the valve allows to set and automatically keep the room temperature. The seat tightness is guaranteed by a EPDM PEROX seal, particularly recommended with water-glycol solutions, with a maximum glycol presence of 50%.

COMPONENTS

POS.	PART NAME	N°	MATERIAL
1	Body	1	CW617N UNI-EN 12165 nickel-plated
2	Upper part	1	CW617N UNI-EN 12164
3	O-Ring	1	EPDM Perox
4	O-Ring	1	EPDM Perox
5	Screw	1	Galvanised iron
6	Handle	1	ABS
7	Handle cap	1	ABS
8	Nut	1	CW617N UNI-EN 12165 nickel-plated
9	O-Ring connector	1	EPDM Perox
10	Connector	1	CW617N UNI-EN 12164 nickel-plated
11	Ring for thread seal	1	PTFE

DIMENSIONS

A	B	C	D	E	PN
3/8"	24x19	64	71	18,1	10
1/2"	24x19	65	71	18,1	10

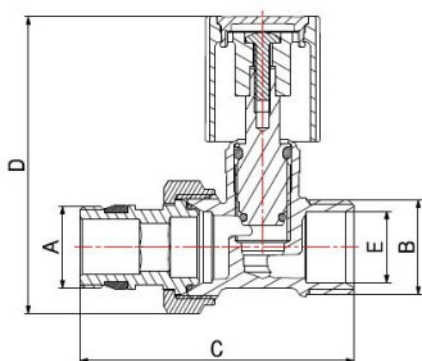
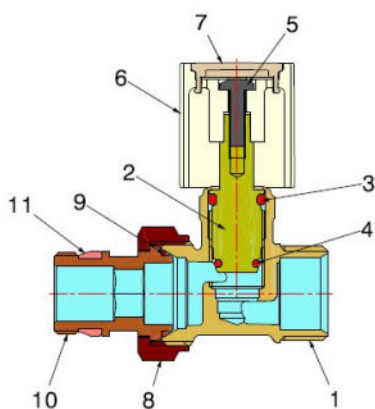
PACKAGING

	3/8" - 24x19	1/2" - 24x19
CODE	56050503E	56050504E
PCS BOX	15	15
PCS CARTON	150	150

RADIATOR VALVES

RADIATOR VALVE

5606E



- Male straight radiator valve connector with PTFE seal and interchangeable connection for copper, plastic and multi-layer pipe
- To be used with lockshield valve art. 5608E
- Maximum nominal pressure 10 bar
- Temperature range min 0°C - max +95°C

Valve suitable for distributing, interrupting and regulating heat transfer fluids. Residential thermal systems are the ideal field of application. In the version with thermostatic head, the valve allows to set and automatically keep the room temperature. The seat tightness is guaranteed by a EPDM PEROX seal, particularly recommended with water-glycol solutions, with a maximum glycol presence of 50%.

COMPONENTS

POS.	PART NAME	N°	MATERIAL
1	Body	1	CW617N UNI-EN 12165 nickel-plated
2	Upper part	1	CW617N UNI-EN 12164
3	O-Ring	1	EPDM Perox
4	O-Ring	1	EPDM Perox
5	Screw	1	Galvanised iron
6	Handle	1	ABS
7	Handle cap	1	ABS
8	Nut	1	CW617N UNI-EN 12165 nickel-plated
9	O-Ring connector	1	EPDM Perox
10	Connector	1	CW617N UNI-EN 12164 nickel-plated
11	Ring for thread seal	1	PTFE

DIMENSIONS

A	B	C	D	E	PN
3/8"	24x19	68	74	18,1	10
1/2"	24x19	69	76	18,1	10

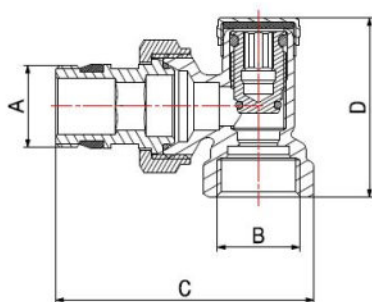
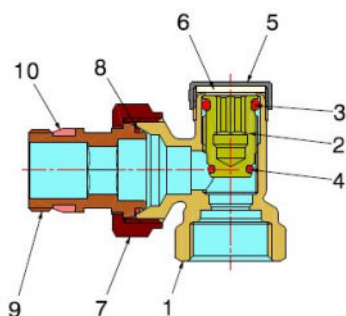
PACKAGING

	3/8" - 24x19	1/2" - 24x19
CODE	56060503E	56060504E
PCS BOX	15	15
PCS CARTON	150	150

RADIATOR VALVES

LOCKSHIELD VALVE

5603E



- Female angle lockshield valve - connector with PTFE seal
- Maximum nominal pressure 10 bar
- Temperature range min 0°C - max +95°C

Valve suitable for distributing, interrupting and regulating heat transfer fluids. Residential thermal systems are the ideal field of application. In the version with thermostatic head, the valve allows to set and automatically keep the room temperature. The seat tightness is guaranteed by a EPDM PEROX seal, particularly recommended with water-glycol solutions, with a maximum glycol presence of 50%.

COMPONENTS

POS.	PART NAME	N°	MATERIAL
1	Body	1	CW617N UNI-EN 12165 nickel-plated
2	Upper part	1	CW617N UNI-EN 12164
3	O-Ring	1	EPDM Perox
4	O-Ring	1	EPDM Perox
5	Cap	1	ABS
6	Cap seal	1	NBR
7	Nut	1	CW617N UNI-EN 12165 nickel-plated
8	Connector O-Ring	1	EPDM Perox
9	Connector	1	CW617N UNI-EN 12164 nickel-plated
10	Ring for thread seal	1	PTFE

DIMENSIONS

A	B	C	D	PN
3/8"	3/8"	62	49	10
3/8"	1/2"	62	49	10
1/2"	3/8"	63	49	10
1/2"	1/2"	63	49	10

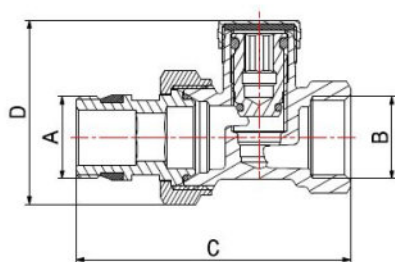
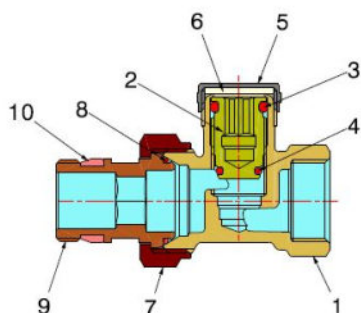
PACKAGING

	connector 3/8" - 3/8" female	connector 1/2" - 3/8" female	connector 3/8" - 1/2" female	connector 1/2" - 1/2" female
CODE	56030303E	56030304E	56030403E	56030404E
PCS BOX	15	15	15	15
PCS CARTON	150	150	150	150

RADIATOR VALVES

LOCKSHIELD VALVE

5604E



- Female straight lockshield valve - connector with PTFE seal
- Maximum nominal pressure 10 bar
- Temperature range min 0°C - max +95°C

Valve suitable for distributing, interrupting and regulating heat transfer fluids. Residential thermal systems are the ideal field of application. In the version with thermostatic head, the valve allows to set and automatically keep the room temperature. The seat tightness is guaranteed by a EPDM PEROX seal, particularly recommended with water-glycol solutions, with a maximum glycol presence of 50%.

COMPONENTS

POS.	PART NAME	N°	MATERIAL
1	Body	1	CW617N UNI-EN 12165 nickel-plated
2	Upper part	1	CW617N UNI-EN 12164
3	O-Ring	1	EPDM Perox
4	O-Ring	1	EPDM Perox
5	Cap	1	CW617N UNI-EN 12164 nickel-plated
6	Gasket cap	1	PVC
7	Nut	1	CW617N UNI-EN 12165 nickel-plated
8	O-Ring connector	1	EPDM Perox
9	Connector	1	CW617N UNI-EN 12164 nickel-plated
10	Ring for thread seal	1	PTFE

DIMENSIONS

A	B	C	D	PN
3/8"	1/2"	68	51	10
1/2"	1/2"	69	53	10

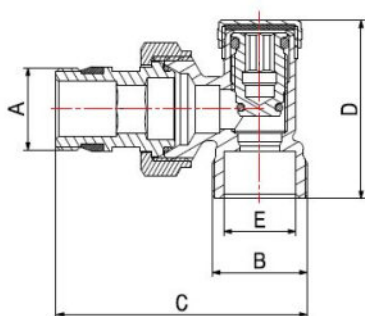
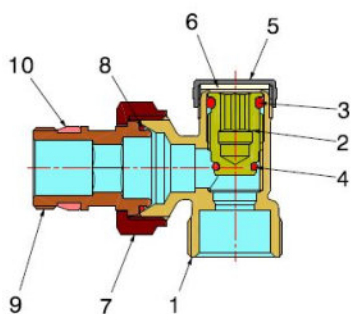
PACKAGING

	3/8" - 1/2"	1/2" - 1/2"
CODE	56040403E	56040404E
PCS BOX	15	15
PCS CARTON	150	150

RADIATOR VALVES

LOCKSHIELD VALVE

5607E



- Male angle lockshield valve and connector with PTFE seal, with interchangeable connection for copper, plastic and multi-layer pipes
- Maximum nominal pressure 10 bar
- Temperature range min 0°C - max +95°C

Valve suitable for distributing, interrupting and regulating heat transfer fluids. Residential thermal systems are the ideal field of application. In the version with thermostatic head, the valve allows to set and automatically keep the room temperature. The seat tightness is guaranteed by a EPDM PEROX seal, particularly recommended with water-glycol solutions, with a maximum glycol presence of 50%.

COMPONENTS

POS.	PART NAME	N°	MATERIAL
1	Body	1	CW617N UNI-EN 12165 nickel-plated
2	Upper part	1	CW617N UNI-EN 12164
3	O-Ring	1	EPDM Perox
4	O-Ring	1	EPDM Perox
5	Cap	1	CW617N UNI-EN 12164 nickel-plated
6	Gasket cap	1	PVC
7	Nut	1	CW617N UNI-EN 12165 nickel-plated
8	O-Ring connector	1	EPDM Perox
9	Connector	1	CW617N UNI-EN 12164 nickel-plated
10	Ring for thread seal	1	PTFE

DIMENSIONS

A	B	C	D	E	PN
3/8"	24x19	62	46	18,1	10
1/2"	24x19	63	46	18,1	10

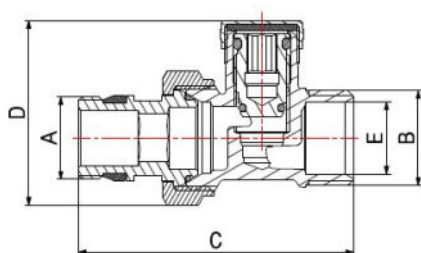
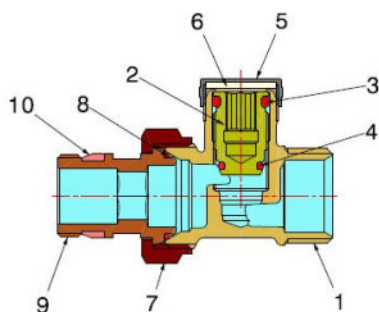
PACKAGING

	3/8" - 24x19	1/2" - 24x19
CODE	56070503E	56070504E
PCS BOX	15	15
PCS CARTON	150	150

RADIATOR VALVES

LOCKSHIELD VALVE

5608E



- Male straight lockshield valve and connector with PTFE seal, with interchangeable connection for copper, plastic and multi-layer pipes
- Maximum nominal pressure 10 bar
- Temperature range min 0°C - max +95°C

Valve suitable for distributing, interrupting and regulating heat transfer fluids. Residential thermal systems are the ideal field of application. In the version with thermostatic head, the valve allows to set and automatically keep the room temperature. The seat tightness is guaranteed by a EPDM PEROX seal, particularly recommended with water-glycol solutions, with a maximum glycol presence of 50%.

COMPONENTS

POS.	PART NAME	N°	MATERIAL
1	Body	1	CW617N UNI-EN 12165 nickel-plated
2	Upper part	1	CW617N UNI-EN 12164
3	O-Ring	1	EPDM Perox
4	O-Ring	1	EPDM Perox
5	Cap	1	CW617N UNI-EN 12164 nickel-plated
6	Gasket cap	1	PVC
7	Nut	1	CW617N UNI-EN 12165 nickel-plated
8	O-Ring connector	1	EPDM Perox
9	Connector	1	CW617N UNI-EN 12164 nickel-plated
10	Ring for thread seal	1	PTFE

DIMENSIONS

A	B	C	D	E	PN
3/8"	24x19	68	51	18,1	10
1/2"	24x19	69	53	18,1	10

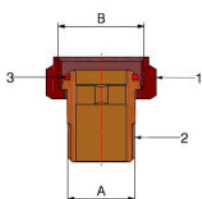
PACKAGING

	3/8" - 24x19	1/2" - 24x19
CODE	56080503E	56080504E
PCS BOX	15	15
PCS CARTON	150	150

ACCESSORIES

NUT AND CONNECTOR

5609XB



- Nut, connector with O-Ring

COMPONENTS

POS.	PART NAME	N°	MATERIAL
1	Nut	1	CW617N UNI-EN 12165 nickel-plated
2	Connector	1	CW617N UNI-EN 12164 nickel-plated
3	Connector O-Ring	1	NBR

DIMENSIONS

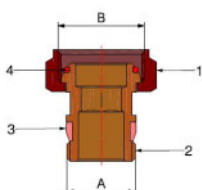
A	B
3/8"	5/8"
3/8"	3/4"
1/2"	3/4"

	3/8" - 5/8"	3/8" - 3/4"	1/2" - 3/4"
CODE	56012003XB	56092003XB	56012004XB

ACCESSORIES

NUT AND CONNECTOR

5609XE



- Nut, connector with O-Ring and PTFE seal

COMPONENTS

POS.	PART NAME	N°	MATERIALS
1	Nut	1	CW617N UNI-EN 12165 nickel-plated
2	Connector	1	CW617N UNI-EN 12164 nickel-plated
3	Ring for thread seal	1	PTFE
4	Connector O-Ring	1	EPDM Perox

DIMENSIONS

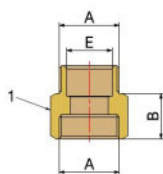
A	B
3/8"	5/8"
3/8"	3/4"
1/2"	3/4"

	3/8" - 5/8"	3/8" - 3/4"	1/2" - 3/4"
CODE	36012403XE	56092403XE	56092404XE

ACCESSORIES

EXTENSION FOR RADIATOR VALVE

3605



- Male/Female extension for 24x19 threaded connection

COMPONENTS

POS.	PART NAME	N°	MATERIAL
1	Extension 24x19	1	CW617N UNI-EN 12165 nickel-plated

DIMENSIONS

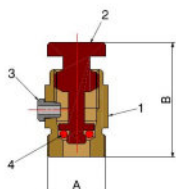
A	B	E
24x19	15	18,1
24x19	20	18,1
24x19	25	18,1
24x19	30	18,1

	24x19 - 15	24x19 - 20	24x19 - 25	24x19 - 30
CODE	36051500X740	36052000X740	36052500X740	36053000X740

RADIATOR VALVES

DRAIN COCK

3992



- Nickel-plated drain cock
- Maximum nominal pressure 10 bar
- Temperature range min 0°C - max +95°C

COMPONENTS

POS.	PART NAME	N°	MATERIAL
1	Body	1	CW617N UNI-EN 12164 nickel-plated
2	Stem	1	CW617N UNI-EN 12164 nickel-plated
3	Vent nozzle	1	CW617N UNI-EN 12164 nickel-plated
4	O-Ring	1	NBR

DIMENSIONS

A	B
1/4"	28
3/8"	27

PACKAGING

	1/4"	3/8"
CODE	39920002	39920003
PCS BOX	-	-
PCS CARTON	1000	500

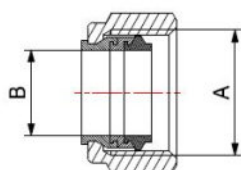
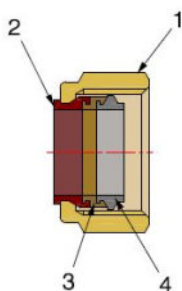
ACCESSORIES

RUBBER BICONE

3671



- Rubber bicone with nut for copper pipe



COMPONENTS

POS.	PART NAME	N°	MATERIAL
1	Nut	1	Brass CW617N nickel-plated
2	Snap ring	1	CW617N UNI-EN 12164
3	Stiff ring	1	CW617N UNI-EN 12164
4	Gasket	1	NBR

DIMENSIONS

A	B
1/2"	10
1/2"	12
1/2"	14
1/2"	15
1/2"	16
24x19	10
24x19	12
24x19	14
24x19	15
24x19	16
24x19	18

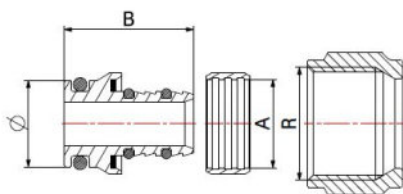
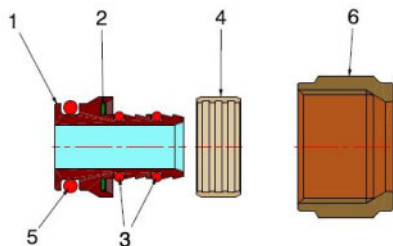
PACKAGING

	1/2"-10	24x19-10	1/2"-12	24x19-12	1/2"-14	24x19-14	1/2"-15	24x19-15	1/2"-16	24x19-16	24x19-18
CODE	36711004	36711005	36711204	36711205	36711404	36711405	36711504	36711505	36711604	36711605	36711805
PCS BOX	ON DEMAND	ON DEMAND	ON DEMAND	ON DEMAND	ON DEMAND	ON DEMAND	ON DEMAND	ON DEMAND	ON DEMAND	ON DEMAND	ON DEMAND
PCS CARTON	1000	750	1000	750	1000	750	1000	750	1000	750	750

ACCESSORIES

PIPE ADAPTOR

3980



- Pex-Al-Pex pipe adaptors
- Maximum operating pressure 10 bar
- Temperature range min 0°C - max +95°C

COMPONENTS

POS.	PART NAME	N°	MATERIAL
1	Hose-end pipe	1	CW617N UNI-EN 12164
2	Washer	1	PTFE
3	O-Ring	2	EPDM Perox
4	Ogive	1	CW617N UNI-EN 12164
5	O-Ring	1	EPDM Perox
6	Nut	1	CW617N UNI-EN 12165 nickel-plated

PIPE DIAMETER AND THICKNESS

Ø pipe	Thickness
14	2
16	2
18	2
20	2

DIMENSIONS

A	R	Ø	B
14	24x19	18	23
16	24x19	18	24
18	24x19	18	26
20	24x19	18	25,5

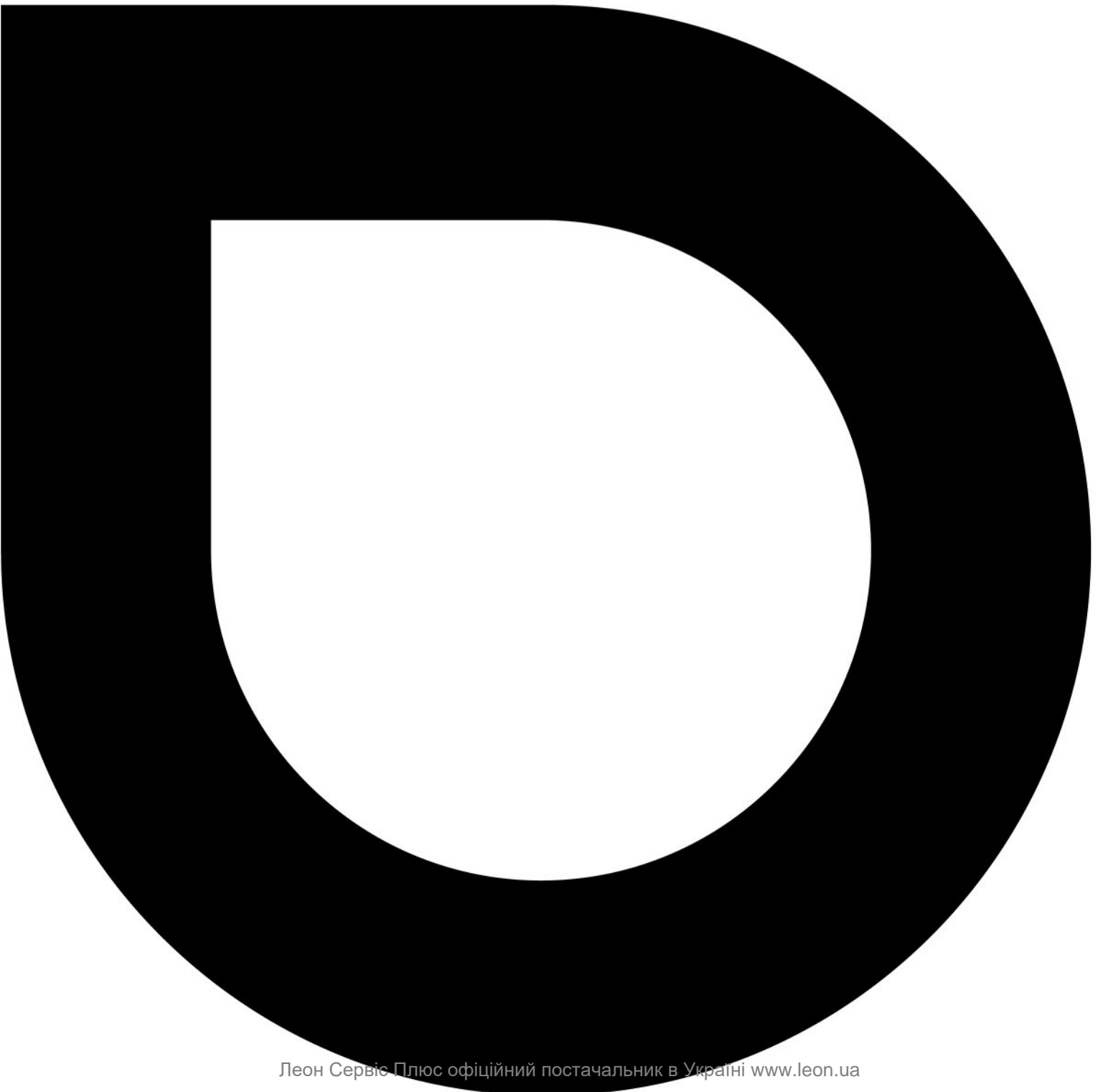
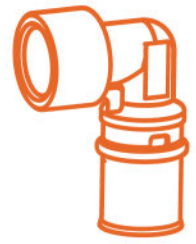
PACKAGING

	14 - 24x19	16 - 24x19	18 - 24x19	20 - 24x19
CODE	39801405	39801605	39801805	39802005
PCS BOX	10	10	10	10
PCS CARTON	250	250	250	250





06
FITTINGS



PEX-AL-PEX PIPE

PEX-AL-PEX PIPE

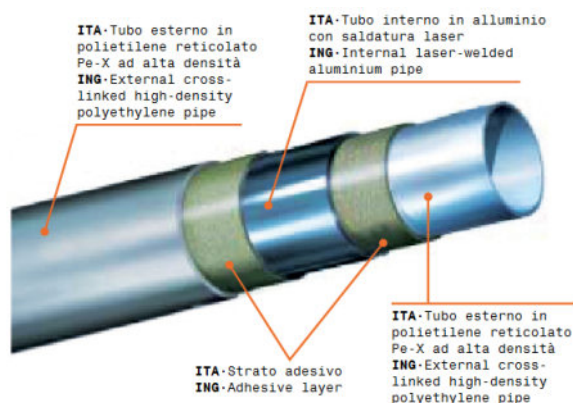
3800



This multi-layer pipe is a valid alternative to the plastic and metal pipes currently in use.

The main advantages are:

- Easy installation as it is lightweight and has no elastic memory as a result of the internal aluminium layer.
- A very high standard of hygiene, so it can be used to convey drinking water in accordance with Ministry of Health regulations.
- Corrosion resistance due to cross-linked polyethylene layers and the use of fittings with dielectric barriers that protect the product against chemical, electromagnetic and natural corrosion, thus preventing the so-called "pile effect".
- Reduced load losses. The internal polyethylene lining guarantees considerable reduction in the load losses that normally occur with metal piping. The absence of limescale ensures a constant flow through time.
- Impermeability to oxygen. The aluminium layer creates a barrier to gases that could trigger corrosion in the circuits and the formation of moulds and bacteria.
- Reduced thermal expansion. The multi-layer pipe reduces thermal expansion of the plastic materials due to the internal aluminium layer and maintains their properties, such as reduced load losses, a high standard of hygiene and ease of installation, as it is easy to bend and maintains the desired curvature even at low temperatures.
- Pre-insulated multilayer pipes are available with specific sheathing for special applications (heating, plumbing, air conditioning).



PACKAGING

	16x2	18x2	20x2	26x3	32x3	40x3,5*	50x4*	63x4,5*	75x5*
CODE	38001600	38001800	38002000	38002600	38003200	38004000	38005000	38006300	38007500
METERS PER BOX	100	100	100	50	25	-	-	-	-

* Article sold in bars from 5 mt.

PEX-AL-PEX PIPE

PEX-AL-PEX PIPE WITH GIRDLE

3801



Multi-layer pipe with girdle for heating and sanitary use.

This multi-layer pipe is a valid alternative to the plastic and metal pipes currently in use.

The main advantages are:

- Easy installation as it is lightweight and has no elastic memory as a result of the internal aluminium layer.
- A very high standard of hygiene, so it can be used to convey drinking water in accordance with Ministry of Health regulations.
- Corrosion resistance due to cross-linked polyethylene layers and the use of fittings with dielectric barriers that protect the product against chemical, electromagnetic and natural corrosion, thus preventing the so-called "pile effect".
- Reduced load losses. The internal polyethylene lining guarantees considerable reduction in the load losses that normally occur with metal piping. The absence of limescale ensures a constant flow through time.
- Impermeability to oxygen. The aluminium layer creates a barrier to gases that could trigger corrosion in the circuits and the formation of moulds and bacteria.
- Reduced thermal expansion. The multi-layer pipe reduces thermal expansion of the plastic materials due to the internal aluminium layer and maintains their properties, such as reduced load losses, a high standard of hygiene and ease of installation, as it is easy to bend and maintains the desired curvature even at low temperatures.



PACKAGING

	16x2	18x2	20x2	26x3	32x3
CODE	38011600	38011800	38012000	38012600	38013200
METERS PER BOX	50	50	50	25	25

WATER PRESS FITTINGS

PRESSING SYSTEM FROM 16 TO 32

IDROPRESS



The pressing system for fittings from 16 to 32 is done through the utilization of a tong **TH** model, that misshapes the bush in stainless steel AISI 304 solubilized determining the locking of the pipe to the connector.

THE SYSTEM PIPE/FITTING IN DIAMETERS 16 - 20 - 26 - 32 IS APPROVED BY:



DIMENSIONS

Ø PIPE	PIPE THICKNESS
16	2
18	2
20	2
26	3
32	3

WATER PRESS FITTINGS

PRESSING SYSTEM FROM 40 TO 75

IDROPRESS



The pressing system for connectors from 40 to 75 is done through the utilization of a tong **TH** model, that misshapes the bush in stainless steel AISI 304 solubilized determining the locking of the pipe to the connector.

The system is composed by a plastic bushing holder and AISI 304 stainless steel solubilized bush.

THE SYSTEM PIPE/FITTING IN DIAMETERS 40 - 50 - 63 IS APPROVED BY:



DIMENSIONS

Ø PIPE	PIPE THICKNESS
40	3,5
50	4
63	4,5
75	5

MOUNTING INSTRUCTIONS IDROPRESS CONNECTORS FROM Ø 16 mm to Ø 32 mm



Cut perpendicularly the pipe with shears art.3812 avoiding to misshape it.



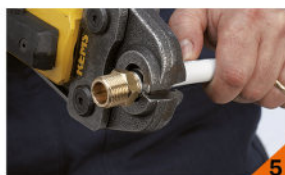
Gauge carefully the end of the pipe using the apposite calibrator-countersink art. 3813.



Verify the correct flare and eliminate the materials residues, those could damage the sealing O-Rings.



Insert the pipe into the connector till to touch the dielectrical washer, make sure that the tube is in the right position thanks to the bush's holes. **Avoid the use damaged fittings.**



Before pressing, check the functioning of the press tool art. 3810.

Position the tongs TH art. 3811 in the proper way. The swelling ring of the bush has to be insert into the groove of the tongs.



Run up to the pressing contact of the two jaws of the pliers. Make sure to periodically check the state of wear, the integrity and cleanliness of the pressing jaws.



Pipe perfectly assembled to the connector



To facilitate insertion of the fitting use only silicon lubricants

MOUNTING INSTRUCTIONS IDROPRESS CONNECTORS FROM Ø 40 mm to Ø 75 mm



Cut perpendicularly the pipe with shears art.3812 avoiding to misshape it.



Gauge carefully the end of the pipe using the apposite calibrator-countersink art. 3813.



Verify the correct flare and eliminate the materials residues, those could damage the sealing O-Rings.



Insert the pipe into the connector till to touch the bushing holder, make sure that the tube is in the right position thanks to the bush's holes. **Avoid the use damaged fittings.**



Before pressing, check the functioning of the press tool art. 3810.

Position the tongs TH art. 3811 in the proper way. The swelling ring of the bush has to be insert into the groove of the tongs.



Run up to the pressing contact of the two jaws of the pliers. Make sure to periodically check the state of wear, the integrity and cleanliness of the pressing jaws.



Pipe perfectly assembled to the connector.

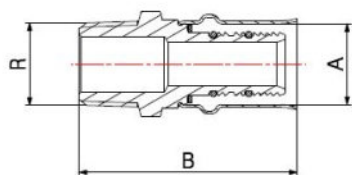
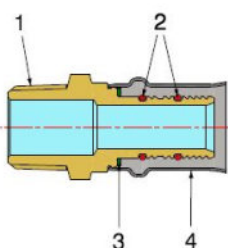


To facilitate insertion of the fitting use only silicon lubricants

PRESS FITTINGS FOR PEX-AL-PEX PIPES

MALE STRAIGHT FITTING

4001



- Male straight press fitting
- Maximum operating pressure 10 bar
- Thread EN 10226-1
- Temperature range min 0°C – max +95°C
- The jaws for the fittings pressing have to be **TH** profile.

Fitting suitable for distributing fluids that are generally non-corrosive, compatibly with the fitting materials. Heating, plumbing and industrial systems are the ideal fields of application, such as high and low temperature heating systems, air-conditioning and distribution of drinking water.

The tightness is guaranteed by two EPDM PEROX O-Rings, particularly recommended with water-glycol solutions, with a maximum glycol presence of 50%.

The steel sleeve pressing, carried out with electromechanical tools, ensures a perfect and indivisible crimping to the pipe as well as an excellent resistance to external stress.

ACS

COMPONENTS

POS.	PART NAME	N°	MATERIAL
1	Fitting	1	CW617N UNI-EN 12165 (hot pressed) - CW617N UNI-EN 12164 (from bar)
2	O-Ring	2	EPDM Perox
3	Washer	1	PTFE
4	Bushing	1	AISI 304 stainless steel

DIMENSIONS

A	R	B
16	3/8"	52
16	1/2"	57
16	3/4"	55
18	1/2"	57
18	3/4"	55
20	1/2"	57
20	3/4"	57
26	1/2"	59
26	3/4"	59
26	1"	62
32	1"	64

FOLLOWING THE DIMENSIONS FROM 40 TO 75

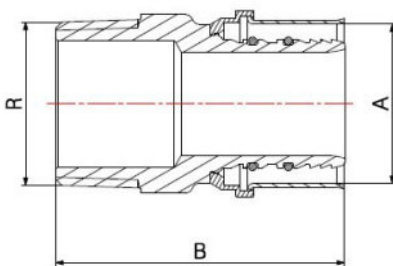
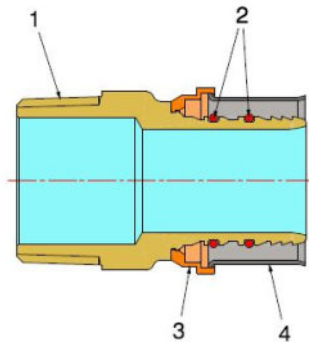
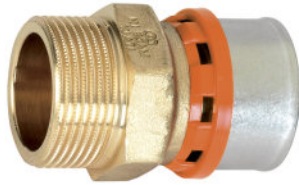
PACKAGING

	16 - 3/8"	16 - 1/2"	16 - 3/4"	18 - 1/2"	18 - 3/4"	20 - 1/2"	20 - 3/4"	26 - 1/2"	26 - 3/4"	26 - 1"	32 - 1"
CODE	40011603	40011604	40011606	40011804	40011806	40012004	40012006	40012604	40012606	40012608	40013208
PCS BAG	10	10	10	10	10	10	10	10	5	5	5
PCS CARTON	250	250	150	200	150	200	150	100	100	80	60

PRESS FITTINGS FOR PEX-AL-PEX PIPES

MALE STRAIGHT FITTING

4001



- Male straight press fitting
- Maximum operating pressure 10 bar
- Thread EN 10226-1
- Temperature range min 0°C – max +95°C
- The jaws for the fittings pressing have to be **TH** profile.

Fitting suitable for distributing fluids that are generally non-corrosive, compatibly with the fitting materials. Heating, plumbing and industrial systems are the ideal fields of application, such as high and low temperature heating systems, air-conditioning and distribution of drinking water.

The tightness is guaranteed by two EPDM PEROX O-Rings, particularly recommended with water-glycol solutions, with a maximum glycol presence of 50%.

The steel sleeve pressing, carried out with electromechanical tools, ensures a perfect and indivisible crimping to the pipe as well as an excellent resistance to external stress.

ACS

COMPONENTS

POS.	PART NAME	N°	MATERIAL
1	Fitting	1	CW617N UNI-EN 12165
2	O-Ring	2	EPDM Perox
3	Bushing holder	1	Plastic
4	Bushing	1	AISI 304 stainless steel

DIMENSIONS

A	R	B
40	1.1/4"	73
50	1.1/2"	79
63	2"	89
75	2.1/2"	101

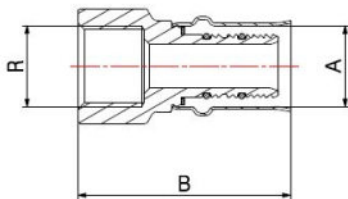
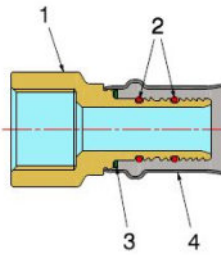
PACKAGING

	40 - 1.1/4"	50 - 1.1/2"	63 - 2"	75 - 2.1/2"
CODE	40014010	40015011	40016313	40017515
PCS BAG	2	2	2	2
PCS CARTON	30	20	14	14

PRESS FITTINGS FOR PEX-AL-PEX PIPES

FEMALE STRAIGHT FITTING

4002



- Female straight press fitting
- Maximum operating pressure 10 bar
- Thread EN 10226-1
- Temperature range min 0°C – max +95°C
- The jaws for the fittings pressing have to be **TH** profile.

Fitting suitable for distributing fluids that are generally non-corrosive, compatibly with the fitting materials. Heating, plumbing and industrial systems are the ideal fields of application, such as high and low temperature heating systems, air-conditioning and distribution of drinking water. The tightness is guaranteed by two EPDM PEROX O-Rings, particularly recommended with water-glycol solutions, with a maximum glycol presence of 50%. The steel sleeve pressing, carried out with electromechanical tools, ensures a perfect and indivisible crimping to the pipe as well as an excellent resistance to external stress.

ACS

COMPONENTS

POS.	PART NAME	N°	MATERIAL
1	Fitting	1	CW617N UNI-EN 12165
2	O-Ring	2	EPDM Perox
3	Washer	1	PTFE
4	Bushing	1	AISI 304 stainless steel

DIMENSIONS

A	R	B
16	1/2"	54
16	3/4"	56
18	1/2"	54
18	3/4"	56
20	1/2"	54
20	3/4"	56
20	1"	63
26	3/4"	53
26	1"	63
32	1"	55
32	1 1/4"	64

FOLLOWING THE DIMENSIONS FROM 40 TO 75

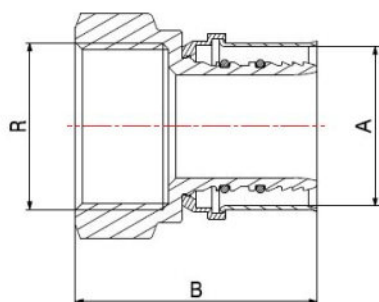
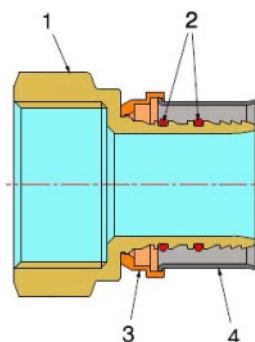
PACKAGING

	16 - 1/2"	16 - 3/4"	18 - 1/2"	18 - 3/4"	20 - 1/2"	20 - 3/4"	20 - 1"	26 - 3/4"	26 - 1"	32 - 1"	32 - 1.1/4"
CODE	40021604	40021606	40021804	40021806	40022004	40022006	40022008	40022606	40022608	40023208	40023210
PCS BAG	10	10	10	10	10	10	5	5	5	5	5
PCS CARTON	200	150	150	120	150	120	70	100	70	60	50

PRESS FITTINGS FOR PEX-AL-PEX PIPES

FEMALE STRAIGHT FITTING

4002



- Female straight press fitting
- Maximum operating pressure 10 bar
- Thread EN 10226-1
- Temperature range min 0°C – max +95°C
- The jaws for the fittings pressing have to be **TH** profile.

Fitting suitable for distributing fluids that are generally non-corrosive, compatibly with the fitting materials. Heating, plumbing and industrial systems are the ideal fields of application, such as high and low temperature heating systems, air-conditioning and distribution of drinking water. The tightness is guaranteed by two EPDM PEROX O-Rings, particularly recommended with water-glycol solutions, with a maximum glycol presence of 50%. The steel sleeve pressing, carried out with electromechanical tools, ensures a perfect and indivisible crimping to the pipe as well as an excellent resistance to external stress.

ACS

COMPONENTS

POS.	PART NAME	N°	MATERIAL
1	Fitting	1	CW617N UNI-EN 12165
2	O-Ring	2	EPDM Perox
3	Bushing holder	1	Plastic
4	Bushing	1	AISI 304 stainless steel

DIMENSIONS

A	R	B
40	1.1/4"	62
50	1.1/2"	71
63	2"	78
75	2.1/2"	93

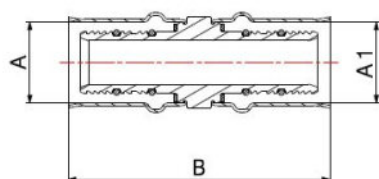
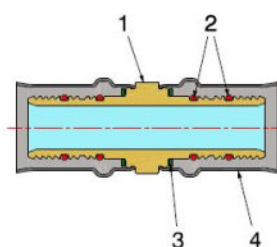
PACKAGING

	40 - 1.1/4"	50 - 1.1/2"	63 - 2"	75 - 2.1/2"
CODE	40024010	40025011	40026313	40027515
PCS BAG	2	2	2	2
PCS CARTON	30	20	14	14

PRESS FITTINGS FOR PEX-AL-PEX PIPES

INTERMEDIATE STRAIGHT FITTING

4003



- Intermediate straight press fitting
- Maximum operating pressure 10 bar
- Temperature range min 0°C - max +95°C
- The jaws for the fittings pressing have to be **TH** profile.

Fitting suitable for distributing fluids that are generally non-corrosive, compatibly with the fitting materials. Heating, plumbing and industrial systems are the ideal fields of application, such as high and low temperature heating systems, air-conditioning and distribution of drinking water.

The tightness is guaranteed by two EPDM PEROX O-Rings, particularly recommended with water-glycol solutions, with a maximum glycol presence of 50%.

The steel sleeve pressing, carried out with electromechanical tools, ensures a perfect and indivisible crimping to the pipe as well as an excellent resistance to external stress.

ACS

COMPONENTS

POS.	PART NAME	N°	MATERIAL
1	Fitting	1	CW617N UNI-EN 12164
2	O-Ring	4	EPDM Perox
3	Washer	2	PTFE
4	Bushing	2	AISI 304 stainless steel

DIMENSIONS

A	A1	B
16	16	66
18	16	66
18	18	66
20	16	66
20	18	66
20	20	66

FOLLOWING THE DIMENSIONS FROM 26 TO 32

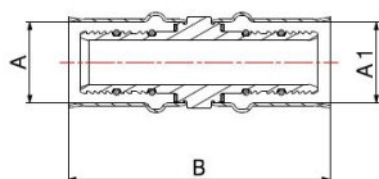
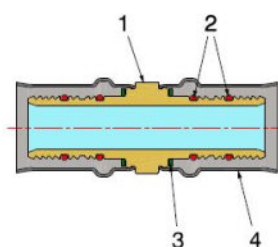
PACKAGING

	16 - 16	18 - 16	18 - 18	20 - 16	20 - 18	20 - 20
CODE	40031616	40031816	40031818	40032016	40032018	40032020
PCS BAG	10	10	10	10	10	10
PCS CARTON	200	200	200	150	150	120

PRESS FITTINGS FOR PEX-AL-PEX PIPES

INTERMEDIATE STRAIGHT FITTING

4003



- Intermediate straight press fitting
- Maximum operating pressure 10 bar
- Temperature range min 0°C - max +95°C
- The jaws for the fittings pressing have to be **TH** profile.

Fitting suitable for distributing fluids that are generally non-corrosive, compatibly with the fitting materials. Heating, plumbing and industrial systems are the ideal fields of application, such as high and low temperature heating systems, air-conditioning and distribution of drinking water. The tightness is guaranteed by two EPDM PEROX O-Rings, particularly recommended with water-glycol solutions, with a maximum glycol presence of 50%. The steel sleeve pressing, carried out with electromechanical tools, ensures a perfect and indivisible crimping to the pipe as well as an excellent resistance to external stress.

ACS

COMPONENTS

POS.	PART NAME	N°	MATERIAL
1	Fitting	1	CW617N UNI-EN 12164
2	O-Ring	4	EPDM Perox
3	Washer	2	PTFE
4	Bushing	2	AISI 304 stainless steel

DIMENSIONS

A	A1	B
26	16	66
26	18	66
26	20	66
26	26	66
32	16	66
32	20	66
32	26	66
32	32	66

FOLLOWING THE DIMENSIONS FROM 40 TO 50

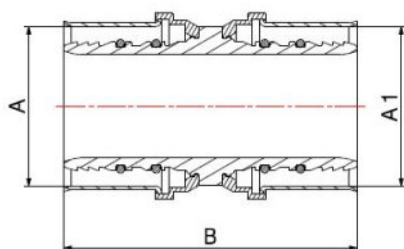
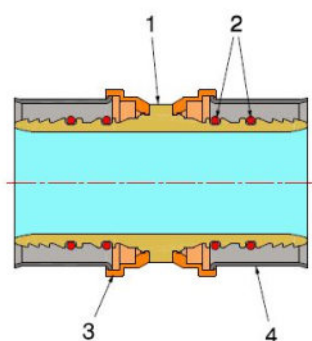
PACKAGING

	26 - 16	26 - 20	26 - 26	32 - 16	32 - 20	32 - 26	32 - 32
CODE	40032616	40032620	40032626	40033216	40033220	40033226	40033232
PCS BAG	10	10	10	5	5	5	5
PCS CARTON	100	100	100	60	60	60	50

PRESS FITTINGS FOR PEX-AL-PEX PIPES

INTERMEDIATE STRAIGHT FITTING

4003



- Intermediate straight press fitting
- Maximum operating pressure 10 bar
- Temperature range min 0°C - max +95°C
- The jaws for the fittings pressing have to be **TH** profile.

Fitting suitable for distributing fluids that are generally non-corrosive, compatibly with the fitting materials. Heating, plumbing and industrial systems are the ideal fields of application, such as high and low temperature heating systems, air-conditioning and distribution of drinking water.

The tightness is guaranteed by two EPDM PEROX O-Rings, particularly recommended with water-glycol solutions, with a maximum glycol presence of 50%.

The steel sleeve pressing, carried out with electromechanical tools, ensures a perfect and indivisible crimping to the pipe as well as an excellent resistance to external stress.

ACS

COMPONENTS

POS.	PART NAME	N°	MATERIAL
1	Fitting	1	CW617N UNI-EN 12165
2	O-Ring	4	EPDM Perox
3	Bushing holder	2	Plastic
4	Bushing	2	AISI 304 stainless steel

In sizes 20-26-32 there is no bush holder and the PTFE washer is inserted

DIMENSIONS

A	A1	B
40	20	80
40	26	80
40	32	80
40	40	84
50	20	91
50	26	91
50	32	90
50	40	92
50	50	102

FOLLOWING THE DIMENSIONS FROM 63 TO 75

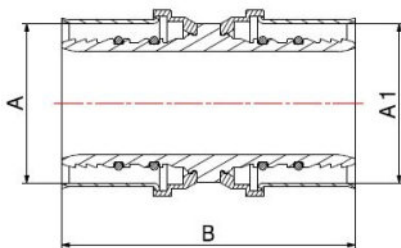
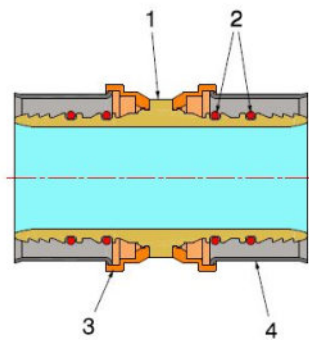
PACKAGING

	40 - 20	40 - 26	40 - 32	40 - 40	50 - 20	50 - 26	50 - 32	50 - 40	50 - 50
CODE	40034020	40034026	40034032	40034040	40035020	40035026	40035032	40035040	40035050
PCS BAG	2	2	2	2	2	2	2	2	2
PCS CARTON	30	30	30	30	20	20	20	20	20

PRESS FITTINGS FOR PEX-AL-PEX PIPES

INTERMEDIATE STRAIGHT FITTING

4003



- Intermediate straight press fitting
- Maximum operating pressure 10 bar
- Temperature range min 0°C - max +95°C
- The jaws for the fittings pressing have to be **TH** profile.

Fitting suitable for distributing fluids that are generally non-corrosive, compatibly with the fitting materials. Heating, plumbing and industrial systems are the ideal fields of application, such as high and low temperature heating systems, air-conditioning and distribution of drinking water.

The tightness is guaranteed by two EPDM PEROX O-Rings, particularly recommended with water-glycol solutions, with a maximum glycol presence of 50%.

The steel sleeve pressing, carried out with electromechanical tools, ensures a perfect and indivisible crimping to the pipe as well as an excellent resistance to external stress.

ACS

COMPONENTS

POS.	PART NAME	N°	MATERIAL
1	Fitting	1	CW617N UNI-EN 12165
2	O-Ring	4	EPDM Perox
3	Bushing holder	2	Plastic
4	Bushing	2	AISI 304 stainless steel

DIMENSIONS

A	A1	B
63	40	96
63	50	103
63	63	108
75	40	94
75	50	103
75	63	103
75	75	116

PACKAGING

	63 - 40	63 - 50	63 - 63	75 - 40	75 - 50	75 - 63	75 - 75
CODE	40036340	40036350	40036363	40037540	40037550	40037563	40037575
PCS BAG	2	2	2	2	2	2	2
PCS CARTON	14	14	14	14	14	14	14

PRESS FITTINGS FOR PEX-AL-PEX PIPES

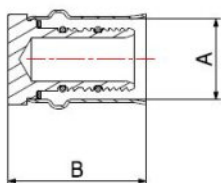
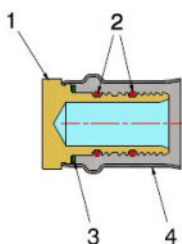
CAP FITTING

4009



- Cap press fitting for pipe installation test
- Maximum operating pressure 10 bar
- Temperature range min 0°C – max +95°C
- The jaws for the fittings pressing have to be **TH** profile.

Fitting suitable for distributing fluids that are generally non-corrosive, compatibly with the fitting materials. Heating, plumbing and industrial systems are the ideal fields of application, such as high and low temperature heating systems, air-conditioning and distribution of drinking water. The tightness is guaranteed by two EPDM PEROX O-Rings, particularly recommended with water-glycol solutions, with a maximum glycol presence of 50%. The steel sleeve pressing, carried out with electromechanical tools, ensures a perfect and indivisible crimping to the pipe as well as an excellent resistance to external stress.



ACS

COMPONENTS

POS.	PART NAME	N°	MATERIAL
1	Cap fitting	1	CW617N UNI-EN 12164
2	O-Ring	2	EPDM Perox
3	Washer	1	PTFE
4	Bushing	1	AISI 304 stainless steel

DIMENSIONS

A	B
16	35
18	35
20	35
26	35
32	36

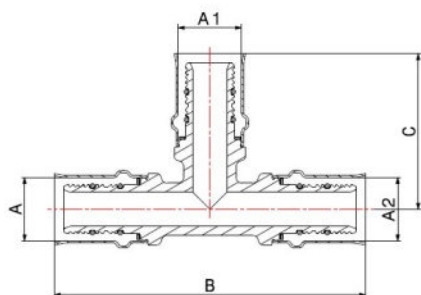
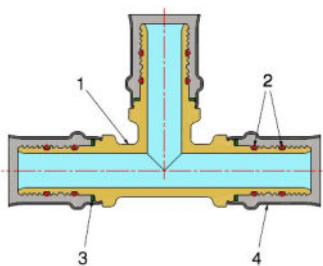
PACKAGING

	16	18	20	26	32
CODE	40091600	40091800	40092000	40092600	40093200
PCS BAG	10	10	10	10	10
PCS CARTON	300	200	200	150	100

PRESS FITTINGS FOR PEX-AL-PEX PIPES

INTERMEDIATE TEE FITTING

4031



- Intermediate tee press fitting
- Maximum operating pressure 10 bar
- Temperature range min 0°C - max +95°C
- The jaws for the fittings pressing have to be **TH** profile.

Fitting suitable for distributing fluids that are generally non-corrosive, compatibly with the fitting materials. Heating, plumbing and industrial systems are the ideal fields of application, such as high and low temperature heating systems, air-conditioning and distribution of drinking water. The tightness is guaranteed by two EPDM PEROX O-Rings, particularly recommended with water-glycol solutions, with a maximum glycol presence of 50%. The steel sleeve pressing, carried out with electromechanical tools, ensures a perfect and indivisible crimping to the pipe as well as an excellent resistance to external stress.

ACS

COMPONENTS

POS.	PART NAME	N°	MATERIAL
1	Fitting	1	CW617N UNI-EN 12165
2	O-Ring	6	EPDM Perox
3	Washer	3	PTFE
4	Bushing	3	AISI 304 stainless steel

DIMENSIONS

A	A1	A2	B	C
16	16	16	93	47
16	20	16	100	50
18	16	16	100	50
18	16	18	100	50
18	18	18	100	50
20	16	16	100	50
20	16	20	100	50
20	18	18	100	50
20	18	20	100	50
20	20	16	100	50
20	20	20	100	50

FOLLOWING THE DIMENSIONS FROM 26

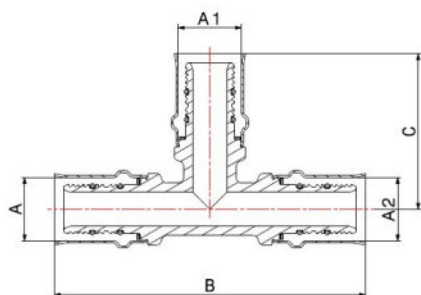
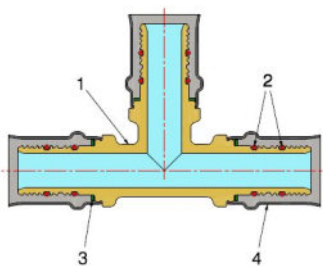
PACKAGING

	16 - 16 - 16	16 - 20 - 16	18 - 16 - 16	18 - 16 - 18	18 - 18 - 18	20 - 16 - 16	20 - 16 - 20	20 - 18 - 18	20 - 18 - 20	20 - 20 - 16	20 - 20 - 20
CODE	4031161616	4031162016	4031181616	4031181618	4031181818	4031201616	4031201620	4031201818	4031201820	4031202016	4031202020
PCS BAG	10	5	10	10	10	5	5	5	5	5	5
PCS CARTON	100	80	80	80	80	80	80	70	70	80	50

PRESS FITTINGS FOR PEX-AL-PEX PIPES

INTERMEDIATE TEE FITTING

4031



- Intermediate tee press fitting
- Maximum operating pressure 10 bar
- Temperature range min 0°C - max +95°C
- The jaws for the fittings pressing have to be **TH** profile.

Fitting suitable for distributing fluids that are generally non-corrosive, compatibly with the fitting materials. Heating, plumbing and industrial systems are the ideal fields of application, such as high and low temperature heating systems, air-conditioning and distribution of drinking water. The tightness is guaranteed by two EPDM PEROX O-Rings, particularly recommended with water-glycol solutions, with a maximum glycol presence of 50%. The steel sleeve pressing, carried out with electromechanical tools, ensures a perfect and indivisible crimping to the pipe as well as an excellent resistance to external stress.

ACS

COMPONENTS

POS.	PART NAME	N°	MATERIAL
1	Fitting	1	CW617N UNI-EN 12165
2	O-Ring	6	EPDM Perox
3	Washer	3	PTFE
4	Bushing	3	AISI 304 stainless steel

DIMENSIONS

A	A1	A2	B	C
20	26	20	106	53
26	16	16	105	53
26	16	20	105	53
26	16	26	104	53
26	18	26	104	53
26	20	16	105	53
26	20	20	104	52
26	20	26	104	52
26	26	16	104	52
26	26	20	104	52
26	26	26	104	52

FOLLOWING THE DIMENSIONS FROM 32

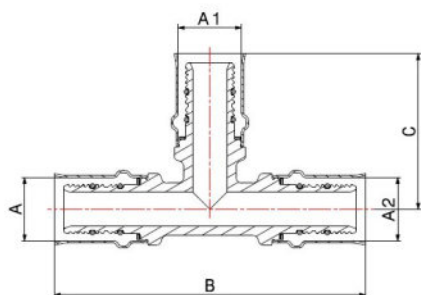
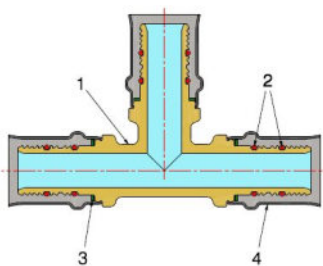
PACKAGING

	20-26-20	26-16-16	26-16-20	26-16-26	26-18-26	26-20-16	26-20-20	26-20-26	26-26-16	26-26-20	26-26-26
CODE	4031202620	4031261616	4031261620	4031261626	4031261826	4031262016	4031262020	4031262026	4031262616	4031262620	4031262626
PCS BAG	5	5	5	5	5	5	5	5	5	5	5
PCS CARTON	50	50	50	50	50	50	50	50	50	50	40

PRESS FITTINGS FOR PEX-AL-PEX PIPES

INTERMEDIATE TEE FITTING

4031



- Intermediate tee press fitting
- Maximum operating pressure 10 bar
- Temperature range min 0°C - max +95°C
- The jaws for the fittings pressing have to be **TH** profile.

Fitting suitable for distributing fluids that are generally non-corrosive, compatibly with the fitting materials. Heating, plumbing and industrial systems are the ideal fields of application, such as high and low temperature heating systems, air-conditioning and distribution of drinking water. The tightness is guaranteed by two EPDM PEROX O-Rings, particularly recommended with water-glycol solutions, with a maximum glycol presence of 50%. The steel sleeve pressing, carried out with electromechanical tools, ensures a perfect and indivisible crimping to the pipe as well as an excellent resistance to external stress.

ACS

COMPONENTS

POS.	PART NAME	N°	MATERIAL
1	Fitting	1	CW617N UNI-EN 12165
2	O-Ring	6	EPDM Perox
3	Washer	3	PTFE
4	Bushing	3	AISI 304 stainless steel

DIMENSIONS

A	A1	A2	B	C
26	32	26	112	55
32	20	20	110	55
32	20	26	110	55
32	16	32	110	55
32	18	32	110	55
32	20	32	110	55
32	26	26	110	55
32	26	32	110	55
32	32	32	110	55

FOLLOWING THE DIMENSIONS FROM 40 TO 50

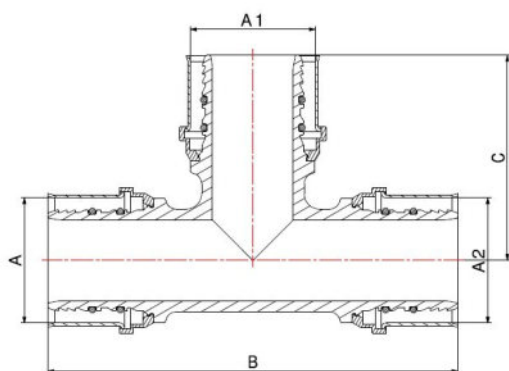
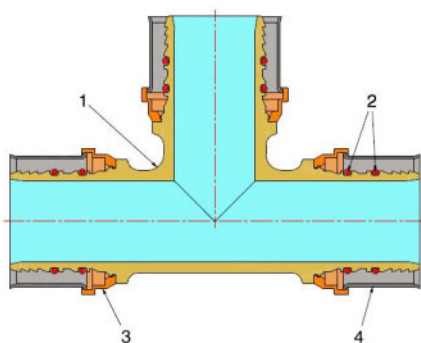
PACKAGING

	26 - 32 - 26	32 - 16 - 32	32 - 18 - 32	32 - 20 - 20	32 - 20 - 26	32 - 20 - 32	32 - 26 - 26	32 - 26 - 32	32 - 32 - 32
CODE	4031263226	4031321632	4031321832	4031322020	4031322026	4031322032	4031322626	4031322632	4031323232
PCS BAG	2	2	2	2	2	2	2	2	2
PCS CARTON	30	30	30	30	30	30	30	30	30

PRESS FITTINGS FOR PEX-AL-PEX PIPES

INTERMEDIATE TEE FITTING

4031



- Intermediate tee press fitting
- Maximum operating pressure 10 bar
- Temperature range min. 0°C - max +95°C
- The jaws for the fittings pressing have to be **TH** profile.

Fitting suitable for distributing fluids that are generally non-corrosive, compatibly with the fitting materials. Heating, plumbing and industrial systems are the ideal fields of application, such as high and low temperature heating systems, air-conditioning and distribution of drinking water. The tightness is guaranteed by two EPDM PEROX O-Rings, particularly recommended with water-glycol solutions, with a maximum glycol presence of 50%. The steel sleeve pressing, carried out with electromechanical tools, ensures a perfect and indivisible crimping to the pipe as well as an excellent resistance to external stress.

ACS

COMPONENTS

POS.	PART NAME	N°	MATERIAL
1	Fitting	1	CW617N UNI-EN 12165
2	O-Ring	6	EPDM Perox
3	Bushing holder	3	Plastic
4	Bushing	3	AISI 304 stainless steel

In sizes 16-20-26-32 there is no bush holder and the PTFE washer is inserted

DIMENSIONS

A	A1	A2	B	C
40	20	40	132	62
40	26	40	132	62
40	32	40	132	62
40	40	40	132	66
50	16	50	164	69
50	20	50	164	69
50	26	50	164	69
50	32	50	164	69
50	40	40	155	73
50	40	50	164	73
50	50	50	164	82

FOLLOWING THE DIMENSIONS FROM 63 TO 75

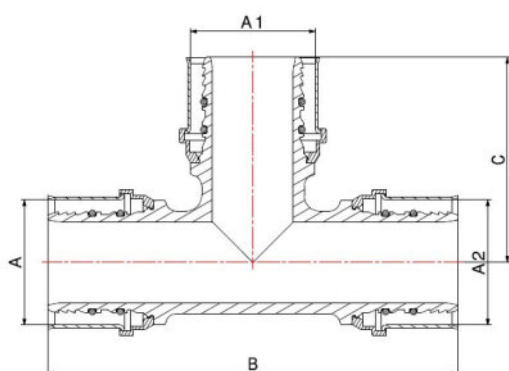
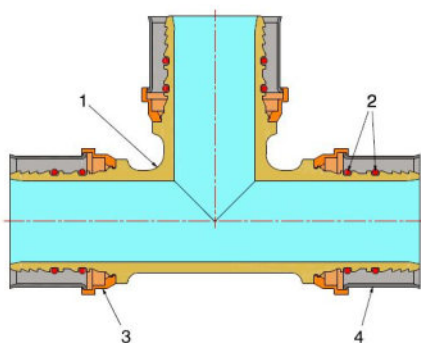
PACKAGING

	40 - 20 - 40	40 - 26 - 40	40 - 32 - 40	40 - 40 - 40	50 - 16 - 50	50 - 20 - 50	50 - 26 - 50	50 - 32 - 50	50 - 40 - 40	50 - 40 - 50	50 - 50 - 50
CODE	4031402040	4031402640	4031403240	4031404040	4031501650	4031502050	4031502650	4031503250	4031504040	4031504050	4031505050
PCS BAG	2	2	2	2	2	2	2	2	2	2	2
PCS CARTON	16	16	16	16	14	14	14	14	12	12	12

PRESS FITTINGS FOR PEX-AL-PEX PIPES

INTERMEDIATE TEE FITTING

4031



- Intermediate tee press fitting
- Maximum operating pressure 10 bar
- Temperature range min 0°C - max +95°C
- The jaws for the fittings pressing have to be **TH** profile.

Fitting suitable for distributing fluids that are generally non-corrosive, compatibly with the fitting materials. Heating, plumbing and industrial systems are the ideal fields of application, such as high and low temperature heating systems, air-conditioning and distribution of drinking water. The tightness is guaranteed by two EPDM PEROX O-Rings, particularly recommended with water-glycol solutions, with a maximum glycol presence of 50%. The steel sleeve pressing, carried out with electromechanical tools, ensures a perfect and indivisible crimping to the pipe as well as an excellent resistance to external stress.

ACS

COMPONENTS

POS.	PART NAME	N°	MATERIAL
1	Fitting	1	CW617N UNI-EN 12165
2	O-Ring	6	EPDM Perox
3	Bushing holder	3	Plastic
4	Bushing	3	AISI 304 stainless steel

In sizes 26-32 there is no bush holder and the PTFE washer is inserted

DIMENSIONS

A	A1	A2	B	C
63	26	63	174	74
63	32	63	174	74
63	40	63	174	78
63	50	63	174	87
63	63	63	174	87
75	50	75	207	95
75	63	63	197	95
75	63	75	207	95
75	75	75	207	103

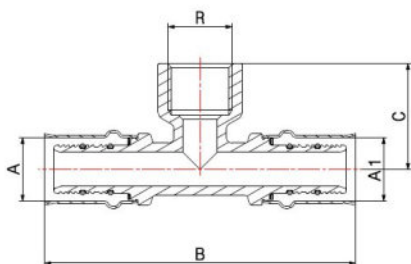
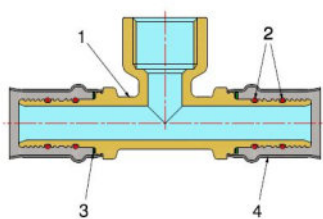
PACKAGING

	63 - 26 - 63	63 - 32 - 63	63 - 40 - 63	63 - 50 - 63	63 - 63 - 63	75 - 50 - 75	75 - 63 - 63	75 - 63 - 75	75 - 75 - 75
CODE	4031632663	4031633263	4031634063	4031635063	4031636363	4031755075	4031756363	4031756375	4031757575
PCS BAG	2	2	2	2	2	1	1	1	1
PCS CARTON	8	8	8	8	8	6	6	6	6

PRESS FITTINGS FOR PEX-AL-PEX PIPES

FEMALE TEE FITTING

4032



- Female tee press fitting
- Maximum operating pressure 10 bar
- Thread EN 10226-1
- Temperature range min 0°C – max +95°C
- The jaws for the fittings pressing have to be **TH** profile.

Fitting suitable for distributing fluids that are generally non-corrosive, compatibly with the fitting materials. Heating, plumbing and industrial systems are the ideal fields of application, such as high and low temperature heating systems, air-conditioning and distribution of drinking water.

The tightness is guaranteed by two EPDM PEROX O-Rings, particularly recommended with water-glycol solutions, with a maximum glycol presence of 50%.

The steel sleeve pressing, carried out with electromechanical tools, ensures a perfect and indivisible crimping to the pipe as well as an excellent resistance to external stress.

ACS

COMPONENTS

POS.	PART NAME	N°	MATERIAL
1	Fitting	1	CW617N UNI-EN 12165
2	O-Ring	4	EPDM Perox
3	Washer	2	PTFE
4	Bushing	2	AISI 304 stainless steel

DIMENSIONS

A	R	A1	C	C
16	1/2"	16	97	34
18	1/2"	18	100	34
18	3/4"	18	100	35
20	1/2"	20	100	34
20	3/4"	20	100	35
26	1/2"	26	104	40
26	3/4"	26	104	40
32	1/2"	32	110	45
32	3/4"	32	110	46
32	1"	32	110	46

FOLLOWING THE DIMENSIONS FROM 40 TO 75

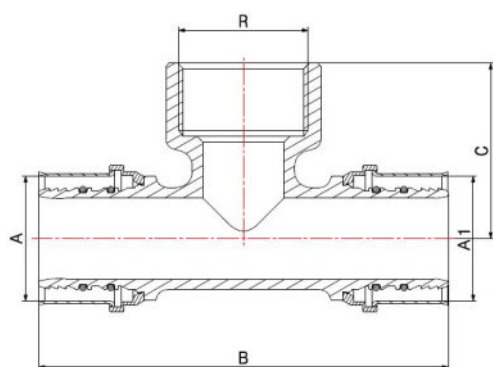
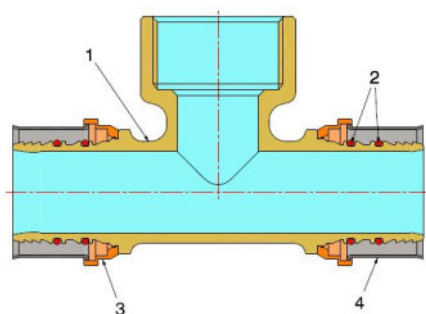
PACKAGING

	16 - 1/2" - 16	18 - 1/2" - 18	18 - 3/4" - 18	20 - 1/2" - 20	20 - 3/4" - 20	26 - 1/2" - 26	26 - 3/4" - 26	32 - 1/2" - 32	32 - 3/4" - 32	32 - 1" - 32
CODE	4032160416	4032180418	4032180618	4032200420	4032200620	4032260426	4032260626	4032320432	4032320632	4032320832
PCS BAG	5	5	5	5	5	5	5	2	2	2
PCS CARTON	100	80	50	80	50	60	50	30	30	30

PRESS FITTINGS FOR PEX-AL-PEX PIPES

FEMALE TEE FITTING

4032



- Female tee press fitting
- Maximum operating pressure 10 bar
- Thread EN 10226-1
- Temperature range min 0°C – max +95°C
- The jaws for the fittings pressing have to be **TH** profile.

Fitting suitable for distributing fluids that are generally non-corrosive, compatibly with the fitting materials. Heating, plumbing and industrial systems are the ideal fields of application, such as high and low temperature heating systems, air-conditioning and distribution of drinking water. The tightness is guaranteed by two EPDM PEROX O-Rings, particularly recommended with water-glycol solutions, with a maximum glycol presence of 50%. The steel sleeve pressing, carried out with electromechanical tools, ensures a perfect and indivisible crimping to the pipe as well as an excellent resistance to external stress.

ACS

COMPONENTS

POS.	PART NAME	N°	MATERIAL
1	Fitting	1	CW617N UNI-EN 12165
2	O-Ring	4	EPDM Perox
3	Bushing holder	2	Plastic
4	Bushing	2	AISI 304 stainless steel

DIMENSIONS

A	R	A1	B	C
40	3/4"	40	132	37
40	1.1/4"	40	132	57
50	3/4"	50	150	37
50	1.1/2"	50	164	64
63	3/4"	63	150	42
63	1"	63	174	45
63	2"	63	174	73

DIMENSIONS - ARTICLES ON DEMAND

A	R	A1	B	C
40	1"	40	132	57
50	1"	50	164	41
75	1.1/4"	75	206	55

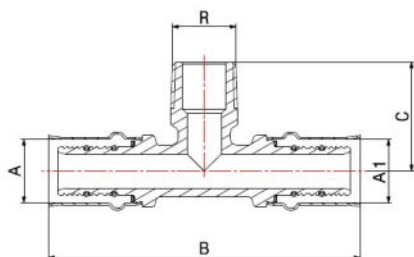
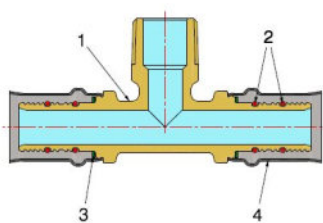
PACKAGING

	40 - 3/4" - 40	40 - 1" - 40	40 - 1.1/4" - 40	50 - 3/4" - 50	50 - 1" - 50	50 - 1.1/2" - 50	63 - 3/4" - 63	63 - 1" - 63	63 - 2" - 63	75 - 1.1/4" - 75
CODE	4032405640	4032400840	4032401040	4032505650	4032500850	4032501150	4032635663	4032630863	4032631363	4032751075
PCS BAG	2	2	2	2	2	2	2	2	2	1
PCS CARTON	14	14	14	12	12	12	8	8	8	8

PRESS FITTINGS FOR PEX-AL-PEX PIPES

MALE TEE FITTING

4033



- Male tee press fitting
- Maximum operating pressure 10 bar
- Thread EN 10226-1
- Temperature range min 0°C - max +95°C
- The jaws for the fittings pressing have to be **TH** profile.

Fitting suitable for distributing fluids that are generally non-corrosive, compatibly with the fitting materials. Heating, plumbing and industrial systems are the ideal fields of application, such as high and low temperature heating systems, air-conditioning and distribution of drinking water. The tightness is guaranteed by two EPDM PEROX O-Rings, particularly recommended with water-glycol solutions, with a maximum glycol presence of 50%. The steel sleeve pressing, carried out with electromechanical tools, ensures a perfect and indivisible crimping to the pipe as well as an excellent resistance to external stress.

ACS

COMPONENTS

POS.	PART NAME	N°	MATERIAL
1	Fitting	1	CW617N UNI-EN 12165
2	O-Ring	4	EPDM Perox
3	Washer	2	PTFE
4	Bushing	2	AISI 304 stainless steel

DIMENSIONS

A	R	A1	B	C
16	1/2"	16	97	35
16	3/4"	16	97	35
18	1/2"	18	100	35
20	1/2"	20	100	35
20	3/4"	20	100	35
26	3/4"	26	104	43
32	1"	32	110	46

FOLLOWING THE DIMENSIONS FROM 40 TO 50

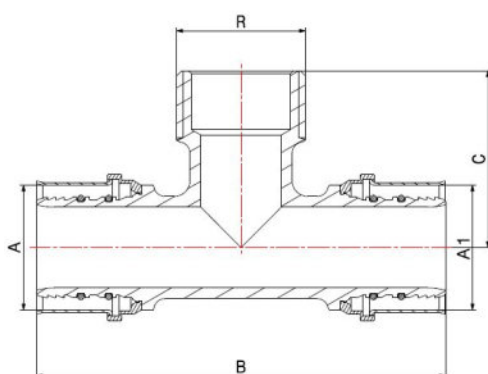
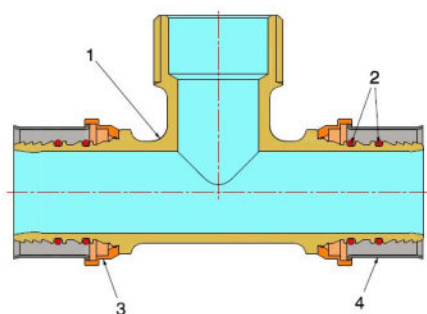
PACKAGING

	16 - 1/2" - 16	16 - 3/4" - 16	18 - 1/2" - 18	20 - 1/2" - 20	20 - 3/4" - 20	26 - 3/4" - 26	32 - 1" - 32
CODE	4033160416	4033160616	4033180418	4033200420	4033200620	4033260626	4033320832
PCS BAG	5	5	5	5	5	5	2
PCS CARTON	100	80	80	80	50	50	30

PRESS FITTINGS FOR PEX-AL-PEX PIPES

MALE TEE FITTING

4033



- Male tee press fitting
- Maximum operating pressure 10 bar
- Thread EN 10226-1
- Temperature range min 0°C - max +95°C
- The jaws for the fittings pressing have to be **TH** profile.

Fitting suitable for distributing fluids that are generally non-corrosive, compatibly with the fitting materials. Heating, plumbing and industrial systems are the ideal fields of application, such as high and low temperature heating systems, air-conditioning and distribution of drinking water. The tightness is guaranteed by two EPDM PEROX O-Rings, particularly recommended with water-glycol solutions, with a maximum glycol presence of 50%. The steel sleeve pressing, carried out with electromechanical tools, ensures a perfect and indivisible crimping to the pipe as well as an excellent resistance to external stress.

ACS

COMPONENTS

POS.	PART NAME	N°	MATERIAL
1	Fitting	1	CW617N UNI-EN 12165
2	O-Ring	4	EPDM Perox
3	Bushing holder	2	Plastic
4	Bushing	2	AISI 304 stainless steel

DIMENSIONS

A	R	A1	B	C
40	1.1/4"	40	132	57
50	1.1/2"	50	164	65

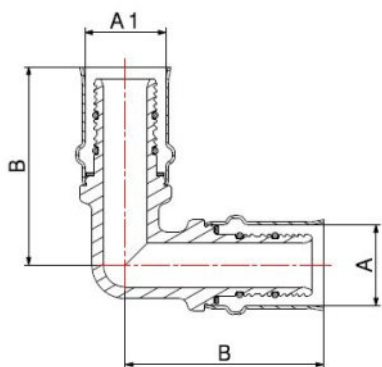
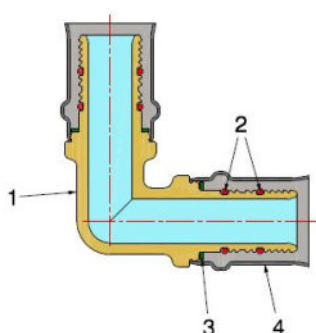
PACKAGING

	40 -1.1/4"- 40	50 -1.1/2"- 50
CODE	4033401040	4033501150
PCS BAG	2	2
PCS CARTON	14	12

PRESS FITTINGS FOR PEX-AL-PEX PIPES

INTERMEDIATE ELBOW FITTING

4051



- Intermediate elbow press fitting
- Maximum operating pressure 10 bar
- Temperature range min 0°C - max +95°C
- The jaws for the fittings pressing have to be **TH** profile.

Fitting suitable for distributing fluids that are generally non-corrosive, compatibly with the fitting materials. Heating, plumbing and industrial systems are the ideal fields of application, such as high and low temperature heating systems, air-conditioning and distribution of drinking water. The tightness is guaranteed by two EPDM PEROX O-Rings, particularly recommended with water-glycol solutions, with a maximum glycol presence of 50%. The steel sleeve pressing, carried out with electromechanical tools, ensures a perfect and indivisible crimping to the pipe as well as an excellent resistance to external stress.

ACS

COMPONENTS

POS.	PART NAME	N°	MATERIAL
1	Fitting	1	CW617N UNI-EN 12165
2	O-Ring	4	EPDM Perox
3	Washer	2	PTFE
4	Bushing	2	AISI 304 stainless steel

DIMENSIONS

A	A1	B
16	16	47
18	18	50
20	20	50
26	26	52
32	32	55

FOLLOWING THE DIMENSIONS FROM 40 TO 75

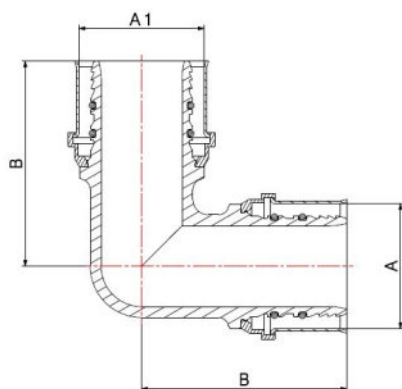
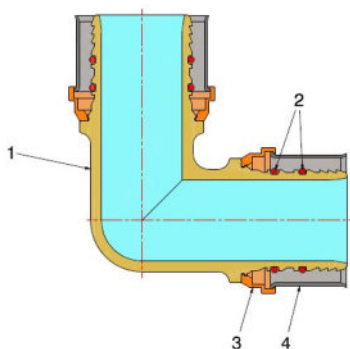
PACKAGING

	16 - 16	18 - 18	20 - 20	26 - 26	32 - 32
CODE	40511616	40511818	40512020	40512626	40513232
PCS BAG	10	10	5	5	5
PCS CARTON	150	120	100	80	50

PRESS FITTINGS FOR PEX-AL-PEX PIPES

INTERMEDIATE ELBOW FITTING

4051



- Intermediate elbow press fitting
- Maximum operating pressure 10 bar
- Temperature range min 0°C - max +95°C
- The jaws for the fittings pressing have to be **TH** profile.

Fitting suitable for distributing fluids that are generally non-corrosive, compatibly with the fitting materials. Heating, plumbing and industrial systems are the ideal fields of application, such as high and low temperature heating systems, air-conditioning and distribution of drinking water. The tightness is guaranteed by two EPDM PEROX O-Rings, particularly recommended with water-glycol solutions, with a maximum glycol presence of 50%. The steel sleeve pressing, carried out with electromechanical tools, ensures a perfect and indivisible crimping to the pipe as well as an excellent resistance to external stress.

ACS

COMPONENTS

POS.	PART NAME	N°	MATERIAL
1	Fitting	1	CW617N UNI-EN 12165
2	O-Ring	4	EPDM Perox
3	Bushing holder	2	Plastic
4	Bushing	2	AISI 304 stainless steel

DIMENSIONS

A	A1	B
40	40	66
50	50	82
63	63	87
75	75	103

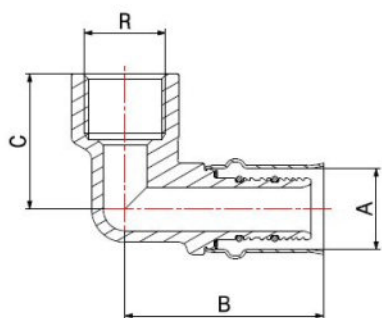
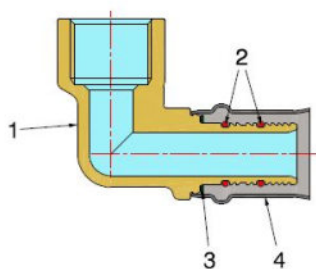
PACKAGING

	40 - 40	50 - 50	63 - 63	75 - 75
CODE	40514040	40515050	40516363	40517575
PCS BAG	2	2	2	2
PCS CARTON	30	16	10	10

PRESS FITTINGS FOR PEX-AL-PEX PIPES

FEMALE ELBOW FITTING

4052



- Female elbow press fitting
- Maximum operating pressure 10 bar
- Thread EN 10226-1
- Temperature range min 0°C - max +95°C
- The jaws for the fittings pressing have to be **TH** profile.

Fitting suitable for distributing fluids that are generally non-corrosive, compatibly with the fitting materials. Heating, plumbing and industrial systems are the ideal fields of application, such as high and low temperature heating systems, air-conditioning and distribution of drinking water. The tightness is guaranteed by two EPDM PEROX O-Rings, particularly recommended with water-glycol solutions, with a maximum glycol presence of 50%. The steel sleeve pressing, carried out with electromechanical tools, ensures a perfect and indivisible crimping to the pipe as well as an excellent resistance to external stress.

ACS

COMPONENTS

POS.	PART NAME	N°	MATERIAL
1	Fitting	1	CW617N UNI-EN 12165
2	O-Ring	2	EPDM Perox
3	Washer	1	PTFE
4	Bushing	1	AISI 304 stainless steel

DIMENSIONS

A	R	B	C
16	1/2"	49	34
18	1/2"	50	34
20	1/2"	50	34
20	3/4"	50	35
26	3/4"	52	40
26	1"	55	40
32	1"	55	46

FOLLOWING THE DIMENSIONS FROM 40 TO 63

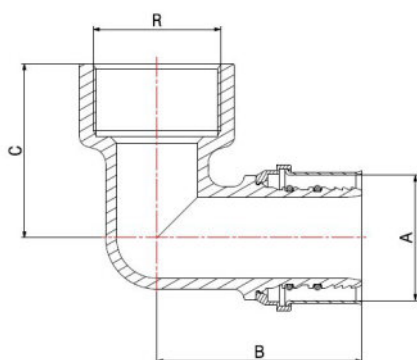
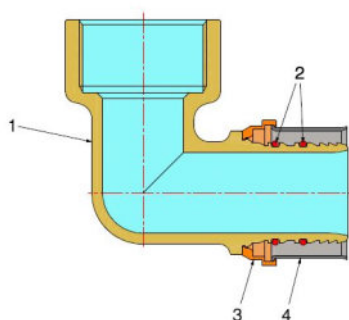
PACKAGING

	16 - 1/2"	18 - 1/2"	20 - 1/2"	20 - 3/4"	26 - 3/4"	26 - 1"	32 - 1"
CODE	40521604	40521804	40522004	40522006	40522606	40522608	40523208
PCS BAG	10	10	10	10	5	5	5
PCS CARTON	150	120	120	100	80	50	50

PRESS FITTINGS FOR PEX-AL-PEX PIPES

FEMALE ELBOW FITTING

4052



- Female elbow press fitting
- Maximum operating pressure 10 bar
- Thread EN 10226-1
- Temperature range min 0°C - max +95°C
- The jaws for the fittings pressing have to be **TH** profile.

Fitting suitable for distributing fluids that are generally non-corrosive, compatibly with the fitting materials. Heating, plumbing and industrial systems are the ideal fields of application, such as high and low temperature heating systems, air-conditioning and distribution of drinking water. The tightness is guaranteed by two EPDM PEROX O-Rings, particularly recommended with water-glycol solutions, with a maximum glycol presence of 50%. The steel sleeve pressing, carried out with electromechanical tools, ensures a perfect and indivisible crimping to the pipe as well as an excellent resistance to external stress.

ACS

COMPONENTS

POS.	PART NAME	N°	MATERIAL
1	Fitting	1	CW617N UNI-EN 12165
2	O-Ring	2	EPDM Perox
3	Bushing holder	1	Plastic
4	Bushing	1	AISI 304 stainless steel

DIMENSIONS

A	R	B	C
40	1.1/4"	66	56
50	1.1/2"	82	64
63	2"	87	73

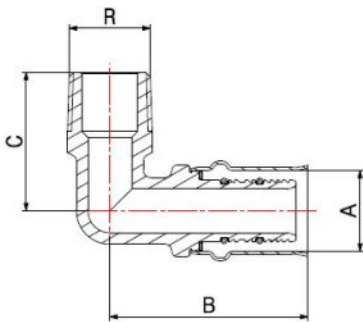
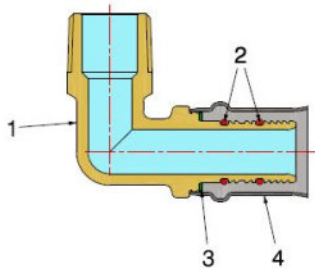
PACKAGING

	40 - 1.1/4"	50 - 1.1/2"	63 - 2"
CODE	40524010	40525011	40526313
PCS BAG	2	2	2
PCS CARTON	20	16	10

PRESS FITTINGS FOR PEX-AL-PEX PIPES

MALE ELBOW FITTING

4053



- Male elbow press fitting
- Maximum operating pressure 10 bar
- Thread EN 10226-1
- Temperature range min 0°C - max +95°C
- The jaws for the fittings pressing have to be **TH** profile.

Fitting suitable for distributing fluids that are generally non-corrosive, compatibly with the fitting materials. Heating, plumbing and industrial systems are the ideal fields of application, such as high and low temperature heating systems, air-conditioning and distribution of drinking water. The tightness is guaranteed by two EPDM PEROX O-Rings, particularly recommended with water-glycol solutions, with a maximum glycol presence of 50%. The steel sleeve pressing, carried out with electromechanical tools, ensures a perfect and indivisible crimping to the pipe as well as an excellent resistance to external stress.

ACS

COMPONENTS

POS.	PART NAME	N°	MATERIAL
1	Fitting	1	CW617N UNI-EN 12165
2	O-Ring	2	EPDM Perox
3	Washer	1	PTFE
4	Bushing	1	AISI 304 stainless steel

DIMENSIONS

A	R	B	C
16	3/8"	49	30
16	1/2"	49	35
18	1/2"	50	35
20	1/2"	50	35
20	3/4"	50	35
26	3/4"	52	43
26	1"	52	41
32	1"	55	46

FOLLOWING THE DIMENSIONS FROM 40 TO 63

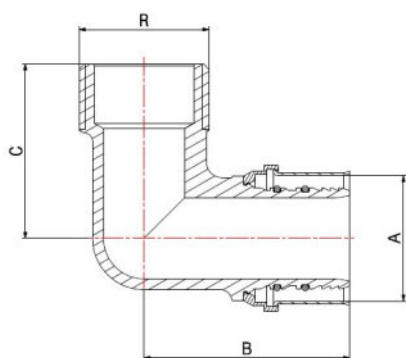
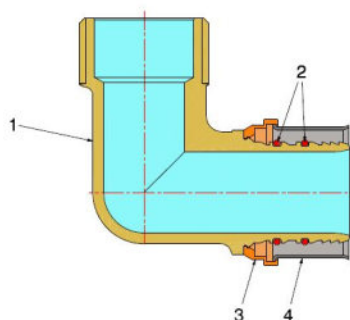
PACKAGING

	16 - 3/8"	16 - 1/2"	18 - 1/2"	20 - 1/2"	20 - 3/4"	26 - 3/4"	26 - 1"	32 - 1"
CODE	40531603	40531604	40531804	40532004	40532006	40532606	40532608	40533208
PCS BAG	10	10	10	10	10	5	5	5
PCS CARTON	200	200	150	150	100	80	50	50

PRESS FITTINGS FOR PEX-AL-PEX PIPES

MALE ELBOW FITTING

4053



- Male elbow press fitting
- Maximum operating pressure 10 bar
- Thread EN 10226-1
- Temperature range min 0°C - max +95°C
- The jaws for the fittings pressing have to be **TH** profile.

Fitting suitable for distributing fluids that are generally non-corrosive, compatibly with the fitting materials. Heating, plumbing and industrial systems are the ideal fields of application, such as high and low temperature heating systems, air-conditioning and distribution of drinking water. The tightness is guaranteed by two EPDM PEROX O-Rings, particularly recommended with water-glycol solutions, with a maximum glycol presence of 50%. The steel sleeve pressing, carried out with electromechanical tools, ensures a perfect and indivisible crimping to the pipe as well as an excellent resistance to external stress.

ACS

COMPONENTS

POS.	PART NAME	N°	MATERIAL
1	Fitting	1	CW617N UNI-EN12165
2	O-Ring	2	EPDM Perox
3	Bushing holder	1	Plastic
4	Bushing	1	AISI 304 stainless steel

DIMENSIONS

A	R	B	C
40	1.1/4"	66	56
50	1.1/2"	82	64
63	2"	87	73

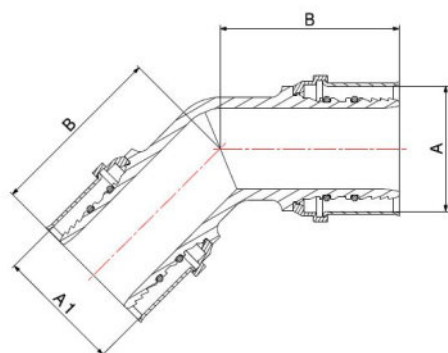
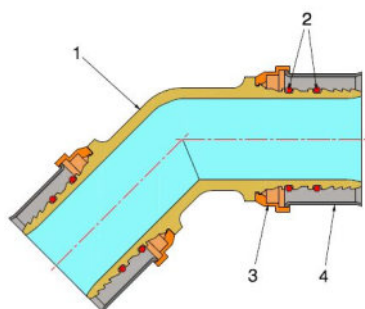
PACKAGING

	40 - 1.1/4"	50 - 1.1/2"	63 - 2"
CODE	40534010	40535011	40536313
PCS BAG	2	2	2
PCS CARTON	20	16	10

PRESS FITTINGS FOR PEX-AL-PEX PIPES

45° INTERMEDIATE ELBOW

4050



- 45° intermediate elbow press fitting
- Maximum operating pressure 10 bar
- Temperature range min 0°C - max +95°C
- The jaws for the fittings pressing have to be **TH** profile.

Fitting suitable for distributing fluids that are generally non-corrosive, compatibly with the fitting materials. Heating, plumbing and industrial systems are the ideal fields of application, such as high and low temperature heating systems, air-conditioning and distribution of drinking water. The tightness is guaranteed by two EPDM PEROX O-Rings, particularly recommended with water-glycol solutions, with a maximum glycol presence of 50%. The steel sleeve pressing, carried out with electromechanical tools, ensures a perfect and indivisible crimping to the pipe as well as an excellent resistance to external stress.

ACS

COMPONENTS

POS.	PART NAME	N°	MATERIAL
1	Fitting	1	CW617N UNI-EN 12165
2	O-Ring	4	EPDM Perox
3	Bushing holder	2	PTFE
4	Bushing	2	AISI 304 stainless steel

In size 32 there is no bush holder and the PTFE washer is inserted

DIMENSIONS

A	A1	B
32*	32*	50
40	40	58
50	50	68
63	63	69
75	75	85

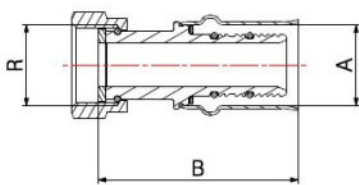
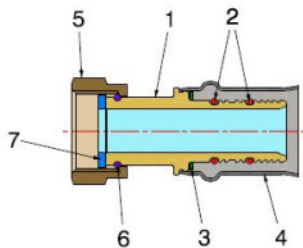
PACKAGING

	32 - 32	40 - 40	50 - 50	63 - 63	75 - 75
CODE	40503232	40504040	40505050	40506363	40507575
PCS BAG	5	2	2	2	2
PCS CARTON	50	20	20	10	10

PRESS FITTINGS FOR PEX-AL-PEX PIPES

STRAIGHT FITTING WITH SWIVEL NUT

4006



- Straight press fitting with swivel nut
- Maximum operating pressure 10 bar
- Thread ISO 228
- Temperature range min 0°C - max +95°C
- The jaws for the fittings pressing have to be **TH** profile.

Fitting suitable for distributing fluids that are generally non-corrosive, compatibly with the fitting materials. Heating, plumbing and industrial systems are the ideal fields of application, such as high and low temperature heating systems, air-conditioning and distribution of drinking water. The tightness is guaranteed by two EPDM PEROX O-Rings, particularly recommended with water-glycol solutions, with a maximum glycol presence of 50%. The steel sleeve pressing, carried out with electromechanical tools, ensures a perfect and indivisible crimping to the pipe as well as an excellent resistance to external stress.

ACS

COMPONENTS

POS.	PART NAME	N°	MATERIAL
1	Fitting	1	CW617N UNI-EN 12164
2	O-Ring	2	EPDM Perox
3	Washer	1	PTFE
4	Bushing	1	AISI 304 stainless steel
5	Nut	1	CW617N UNI-EN 12165 (hot pressed) - CW617N UNI-EN 12164 (from bar)
6	Snap ring	1	Stainless steel
7	Gasket	1	Fasit Omnia

* Measurements without snap ring component

DIMENSIONS

A	R	B
16	3/8"	54
16*	1/2"	56
16*	3/4"	56
20	1/2"	57
20*	3/4"	56
26	3/4"	60
26*	1"	58
32	1"	63
32*	1.1/4"	57

FOLLOWING THE DIMENSIONS FROM 40 TO 75

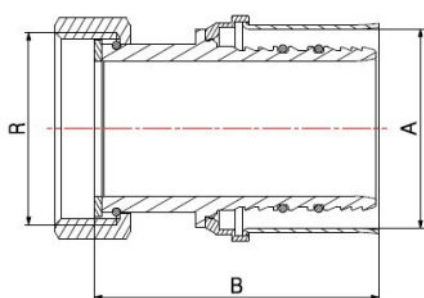
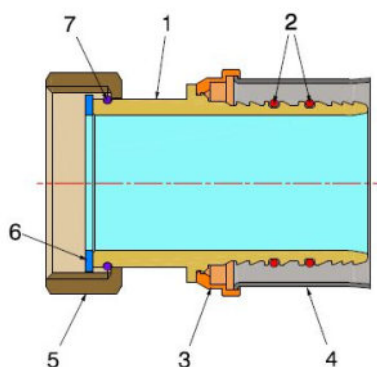
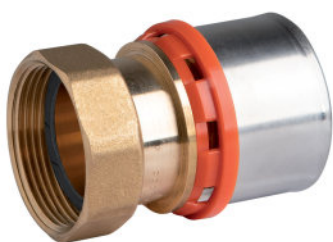
PACKAGING

	16 - 3/8"	16 - 1/2"	16 - 3/4"	20 - 1/2"	20 - 3/4"	26 - 3/4"	26 - 1"	32 - 1"	32 - 1.1/4"
CODE	40061603	40061604	40061606	40062004	40062006	40062606	40062608	40063208	40063210
PCS BAG	10	10	10	10	10	5	5	5	5
PCS CARTON	250	200	150	150	150	100	100	60	50

PRESS FITTINGS FOR PEX-AL-PEX PIPES

STRAIGHT FITTING WITH SWIVEL NUT

4006



- Straight press fitting with swivel nut
- Maximum operating pressure 10 bar
- Thread ISO 228
- Temperature range min 0°C - max +95°C
- The jaws for the fittings pressing have to be **TH** profile.

Fitting suitable for distributing fluids that are generally non-corrosive, compatibly with the fitting materials. Heating, plumbing and industrial systems are the ideal fields of application, such as high and low temperature heating systems, air-conditioning and distribution of drinking water. The tightness is guaranteed by two EPDM PEROX O-Rings, particularly recommended with water-glycol solutions, with a maximum glycol presence of 50%. The steel sleeve pressing, carried out with electromechanical tools, ensures a perfect and indivisible crimping to the pipe as well as an excellent resistance to external stress.

ACS

COMPONENTS

POS.	PART NAME	N°	MATERIAL
1	Fitting	1	CW617N UNI-EN 12164
2	O-Ring	2	EPDM Perox
3	Bushing holder	1	Plastic
4	Bushing	1	AISI 304 stainless steel
5	Nut	1	CW617N UNI-EN 12165 (hot pressed) - CW617N UNI-EN 12164 (from bar)
6	Gasket	1	Fasit Omnia
7	Snap ring	1	Stainless steel

* Measurements without snap ring component

DIMENSIONS

A	R	B
40*	1.1/4"	65
50	1.1/2"	77
63	2"	79
75	2.1/2"	118

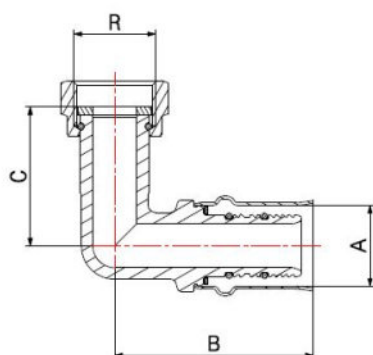
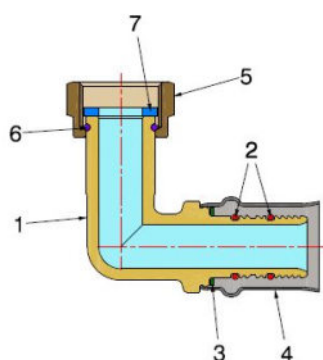
PACKAGING

	40 - 1.1/4"	50 - 1.1/2"	63 - 2"	75 - 2.1/2"
CODE	40064010	40065011	40066313	40067515
PCS BAG	2	2	2	2
PCS CARTON	30	20	14	14

PRESS FITTINGS FOR PEX-AL-PEX PIPES

ELBOW FITTING WITH SWIVEL NUT

4056



- Elbow press fitting with swivel nut
- Maximum operating pressure 10 bar
- Thread ISO 228
- Temperature range min 0°C - max +95°C
- The jaws for the fittings pressing have to be **TH** profile.

Fitting suitable for distributing fluids that are generally non-corrosive, compatibly with the fitting materials. Heating, plumbing and industrial systems are the ideal fields of application, such as high and low temperature heating systems, air-conditioning and distribution of drinking water. The tightness is guaranteed by two EPDM PEROX O-Rings, particularly recommended with water-glycol solutions, with a maximum glycol presence of 50%. The steel sleeve pressing, carried out with electromechanical tools, ensures a perfect and indivisible crimping to the pipe as well as an excellent resistance to external stress.

ACS

COMPONENTS

POS.	PART NAME	N°	MATERIAL
1	Fitting	1	CW617N UNI-EN 12165
2	O-Ring	2	EPDM Perox
3	Washer	1	PTFE
4	Bushing	1	AISI 304 stainless steel
5	Nut	1	CW617N UNI-EN 12165
6	Elastic ring	1	Stainless steel
7	Flat gasket	1	Fasit Omnia

DIMENSIONS

A	R	B	C
16	1/2"	49	35
16	3/4"	49	35
20	1/2"	50	35
20	3/4"	50	35
26	3/4"	52	38
26	1"	52	38
32	1"	55	41
32	1.1/4"	55	43

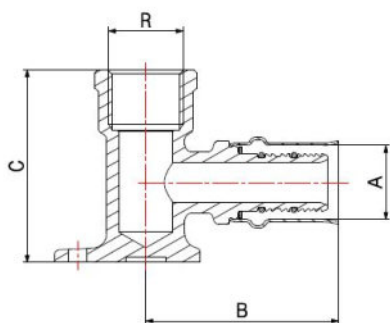
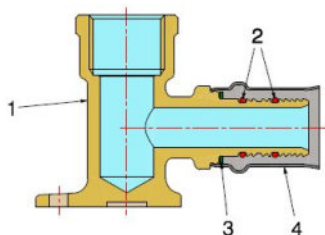
PACKAGING

	16 - 1/2"	16 - 3/4"	20 - 1/2"	20 - 3/4"	26 - 3/4"	26 - 1"	32 - 1"	32 - 1.1/4"
CODE	40561604	40561606	40562004	40562006	40562606	40562608	40563208	40563210
PCS BAG	10	10	10	10	5	5	5	5
PCS CARTON	150	120	120	120	100	50	50	50

PRESS FITTINGS FOR PEX-AL-PEX PIPES

FEMALE FLANGED ELBOW FITTING

4054



- Female flanged elbow press fitting
- Maximum operating pressure 10 bar
- Thread EN 10226-1
- Temperature range min 0°C – max +95°C
- The jaws for the fittings pressing have to be **TH** profile.

Fitting suitable for distributing fluids that are generally non-corrosive, compatibly with the fitting materials. Heating, plumbing and industrial systems are the ideal fields of application, such as high and low temperature heating systems, air-conditioning and distribution of drinking water. The tightness is guaranteed by two EPDM PEROX O-Rings, particularly recommended with water-glycol solutions, with a maximum glycol presence of 50%. The steel sleeve pressing, carried out with electromechanical tools, ensures a perfect and indivisible crimping to the pipe as well as an excellent resistance to external stress.

ACS

COMPONENTS

POS.	PART NAME	N°	MATERIAL
1	Fitting	1	CW617N UNI-EN 12165
2	O-Ring	2	EPDM Perox
3	Washer	1	PTFE
4	Bushing	1	AISI 304 stainless steel

DIMENSIONS

A	R	B	C
16	1/2"	53	53
18	1/2"	53	53
20	1/2"	53	53
20	3/4"	53	55

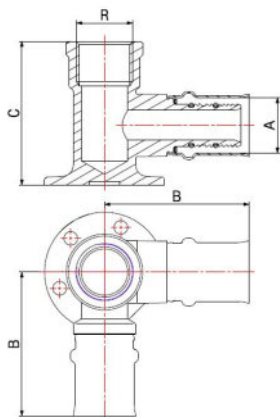
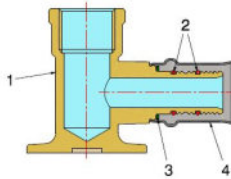
PACKAGING

	16 - 1/2"	18 - 1/2"	20 - 1/2"	20 - 3/4"
CODE	40541604	40541804	40542004	40542006
PCS BAG	5	5	5	5
PCS CARTON	80	60	60	60

PRESS FITTINGS FOR PEX-AL-PEX PIPES

90° ELBOW FEMALE FLANGED WITH DOUBLE WAYS

4055



- 90° elbow female flanged press fitting with double ways
- Maximum operating pressure 10 bar
- Thread EN 10226-1
- Temperature range min 0°C -max +95°C
- The jaws for the fittings pressing have to be **TH** profile.

Fitting suitable for distributing fluids that are generally non-corrosive, compatibly with the fitting materials. Heating, plumbing and industrial systems are the ideal fields of application, such as high and low temperature heating systems, air-conditioning and distribution of drinking water.

The tightness is guaranteed by two EPDM PEROX O-Rings, particularly recommended with water-glycol solutions, with a maximum glycol presence of 50%.

The steel sleeve pressing, carried out with electromechanical tools, ensures a perfect and indivisible crimping to the pipe as well as an excellent resistance to external stress.

ACS

COMPONENTS

POS.	PART NAME	N°	MATERIAL
1	Fitting	1	CW617N UNI-EN 12165
2	O-Ring	4	EPDM Perox
3	Washer	2	PTFE
4	Bushing	2	AISI 304 stainless steel

DIMENSIONS

A	R	B	C
16	1/2"	53	53
20	1/2"	53	53

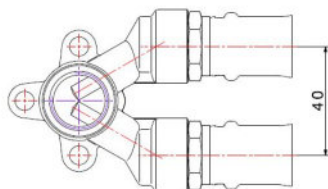
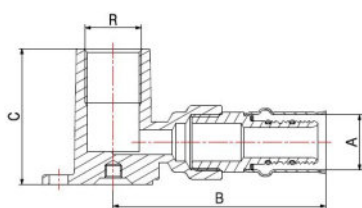
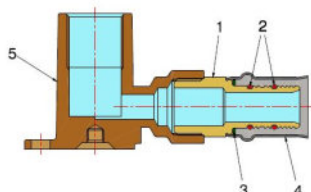
PACKAGING

	16 - 1/2"	20 - 1/2"
CODE	40551604	40552004
PCS BAG	5	5
PCS CARTON	40	40

PRESS FITTINGS FOR PEX-AL-PEX PIPES

DOUBLE FLANGED FITTINGS WITH PARALLEL WAYS

4059



- Flanged female fitting with parallel double ways
- Maximum operating pressure 10 bar
- Temperature range min 0°C - max +95°C
- The jaws for the fittings pressing have to be **TH** profile.

Fitting suitable for distributing fluids that are generally non-corrosive, compatibly with the fitting materials. Heating, plumbing and industrial systems are the ideal fields of application, such as high and low temperature heating systems, air-conditioning and distribution of drinking water. The tightness is guaranteed by two EPDM PEROX O-Rings, particularly recommended with water-glycol solutions, with a maximum glycol presence of 50%. The steel sleeve pressing, carried out with electromechanical tools, ensures a perfect and indivisible crimping to the pipe as well as an excellent resistance to external stress.

COMPONENTS

POS.	PART NAME	N°	MATERIAL
1	Fitting	2	CW617N UNI-EN 12164
2	O-Ring	4	EPDM Perox
3	Washer	2	PTFE
4	Bushing	2	AISI 304 stainless steel
5	Flanged body	1	CW617N UNI-EN 12165

DIMENSIONS

A	R	B	C
16	1/2"	75	50
20	1/2"	75	50

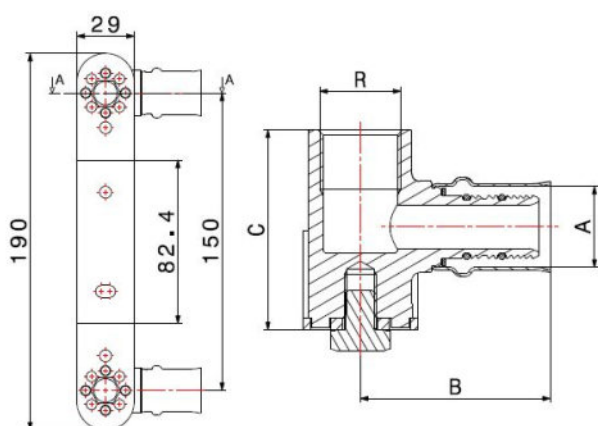
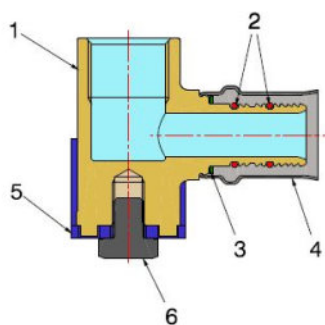
PACKAGING

	16 - 1/2"	20 - 1/2"
CODE	40591604	40592004
PCS BAG	5	5
PCS CARTON	50	50

PRESS FITTINGS FOR PEX-AL-PEX PIPES

PRESS FITTINGS WITH PERFORATED SHAPED FIXED PIPE BRACKET

4024



- Press fittings with perforated shaped fixed pipe bracket
- Maximum operating pressure 10 bar
- Thread EN 10226-1
- Temperature range min 0°C - max +95°C
- The jaws for the fittings pressing have to be **TH** profile.

Fitting suitable for distributing fluids that are generally non-corrosive, compatibly with the fitting materials. Heating, plumbing and industrial systems are the ideal fields of application, such as high and low temperature heating systems, air-conditioning and distribution of drinking water. The tightness is guaranteed by two EPDM PEROX O-Rings, particularly recommended with water-glycol solutions, with a maximum glycol presence of 50%. The steel sleeve pressing, carried out with electromechanical tools, ensures a perfect and indivisible crimping to the pipe as well as an excellent resistance to external stress.

ACS

COMPONENTS

POS.	PART NAME	N°	MATERIAL
1	Fitting	2	CW617N UNI-EN 12165
2	O-Ring	4	EPDM Perox
3	Washer	2	PTFE
4	Bushing	2	AISI 304 stainless steel
5	Spacer pipe clip	1	Galvanised iron
6	M8 Screw	2	Galvanised iron

DIMENSIONS

A	R	B	C
16	1/2"	48	51,5
20	1/2"	48	51,5

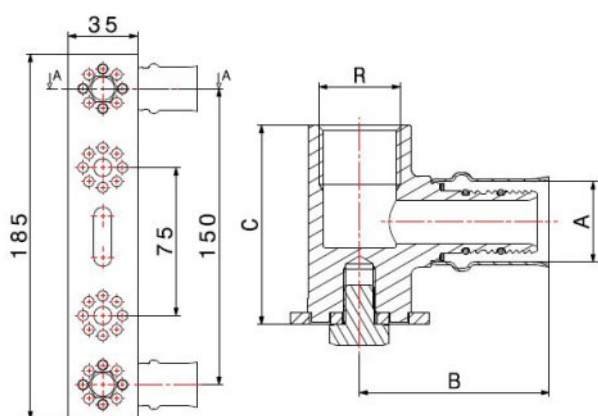
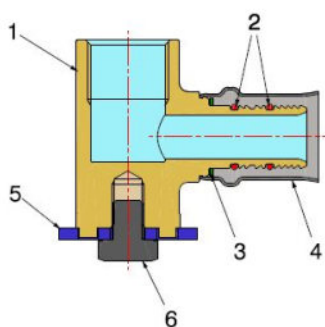
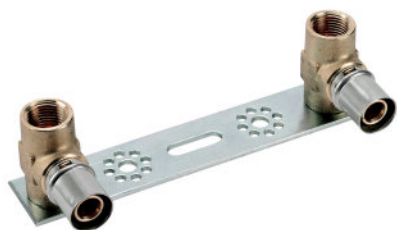
PACKAGING

	16 - 1/2"	20 - 1/2"
CODE	40241604	40242004
PCS BAG	-	-
PCS CARTON	25	25

PRESS FITTINGS FOR PEX-AL-PEX PIPES

PRESS FITTINGS WITH PERFORATED FIXED PIPE BRACKET

4004



- Press fittings with perforated fixed pipe bracket
- Maximum operating pressure 10 bar
- Thread EN 10226-1
- Temperature range min 0°C - max +95°C
- The jaws for the fittings pressing have to be **TH** profile.

Fitting suitable for distributing fluids that are generally non-corrosive, compatibly with the fitting materials. Heating, plumbing and industrial systems are the ideal fields of application, such as high and low temperature heating systems, air-conditioning and distribution of drinking water. The tightness is guaranteed by two EPDM PEROX O-Rings, particularly recommended with water-glycol solutions, with a maximum glycol presence of 50%. The steel sleeve pressing, carried out with electromechanical tools, ensures a perfect and indivisible crimping to the pipe as well as an excellent resistance to external stress.

ACS

COMPONENTS

POS.	PART NAME	N°	MATERIAL
1	Fitting	2	CW617N UNI-EN 12165
2	O-Ring	4	EPDM Perox
3	Washer	2	PTFE
4	Bushing	2	AISI 304 stainless steel
5	Spacer pipe clip	1	Galvanised iron
6	M8 Screw	2	Galvanised iron

DIMENSIONS

A	R	B	C
16	1/2"	48	51,5
20	1/2"	48	51,5

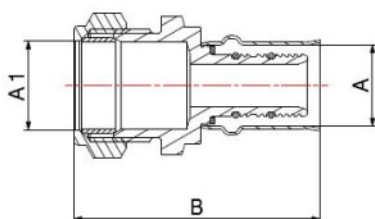
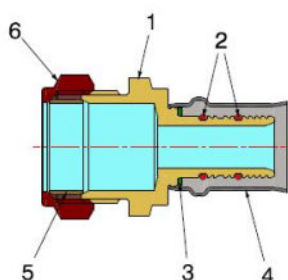
PACKAGING

	16 - 1/2"	20 - 1/2"
CODE	40041604	40042004
PCS BAG	-	-
PCS CARTON	25	25

PRESS FITTINGS FOR PEX-AL-PEX PIPES

STRAIGHT FITTING WITH COMPRESSION END

4007



- Straight press fitting with compression end for copper
- Maximum operating pressure 10 bar
- Temperature range min 0°C - max +95°C
- The jaws for the fittings pressing have to be **TH** profile.

Fitting suitable for distributing fluids that are generally non-corrosive, compatibly with the fitting materials. Heating, plumbing and industrial systems are the ideal fields of application, such as high and low temperature heating systems, air-conditioning and distribution of drinking water. The tightness is guaranteed by two EPDM PEROX O-Rings, particularly recommended with water-glycol solutions, with a maximum glycol presence of 50%. The steel sleeve pressing, carried out with electromechanical tools, ensures a perfect and indivisible crimping to the pipe as well as an excellent resistance to external stress.

ACS

COMPONENTS

POS.	PART NAME	N°	MATERIAL
1	Fitting	1	CW617N UNI-EN 12165 (hot pressed) - CW617N UNI-EN 12164 (from bar)
2	O-Ring	2	EPDM Perox
3	Washer	1	PTFE
4	Bushing	1	AISI 304 stainless steel
5	Ogive	1	CW508L
6	Nut	1	CW617N UNI EN 12165

DIMENSIONS

A (Pex-Al-Pex)	A1 (Tu-Cu)	B
16	14	60
16	15	60
16	16	60
20	18	61
20	22	58

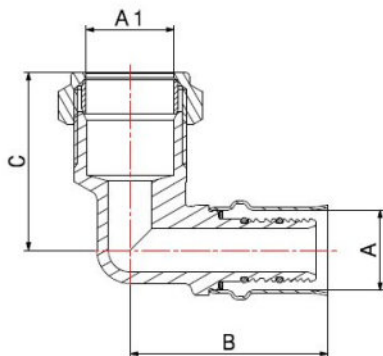
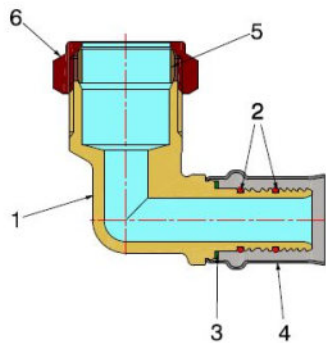
PACKAGING

	16 - 14	16 - 15	16 - 16	20 - 18	20 - 22
CODE	40071665	40071666	40071667	40072068	40072069
PCS BAG	10	10	10	10	10
PCS CARTON	200	200	200	120	120

PRESS FITTINGS FOR PEX-AL-PEX PIPES

ELBOW FITTING WITH COMPRESSION END

4008



- Elbow press fitting with compression end for copper
- Maximum operating pressure 10 bar
- Temperature range min 0°C - max +95°C
- The jaws for the fittings pressing have to be **TH** profile.

Fitting suitable for distributing fluids that are generally non-corrosive, compatibly with the fitting materials. Heating, plumbing and industrial systems are the ideal fields of application, such as high and low temperature heating systems, air-conditioning and distribution of drinking water. The tightness is guaranteed by two EPDM PEROX O-Rings, particularly recommended with water-glycol solutions, with a maximum glycol presence of 50%. The steel sleeve pressing, carried out with electromechanical tools, ensures a perfect and indivisible crimping to the pipe as well as an excellent resistance to external stress.

ACS

COMPONENTS

POS.	PART NAME	N°	MATERIAL
1	Fitting	1	CW617N UNI-EN 12165
2	O-Ring	2	EPDM Perox
3	Washer	1	PTFE
4	Bushing	1	AISI 304 stainless steel
5	Ogive	1	CW508L
6	Nut	1	CW617N UNI-EN 12165

DIMENSIONS

A (Pex-Al-Pex)	A1 (Tu-Cu)	C	B
16	15	41	49
20	22	45	50

PACKAGING

	16 - 15	20 - 22
CODE	40081666	40082069
PCS BAG	10	10
PCS CARTON	150	60

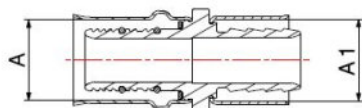
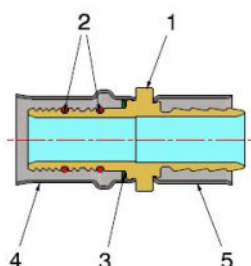
PRESS FITTINGS FOR PEX-AL-PEX PIPES

INTERMEDIATE PRESS FITTING FOR PEX-AL-PEX/PEX

4600



- Intermediate straight press fitting for PEX-AL-PEX/PEX
- Maximum operating pressure 10 bar
- Temperature range min 0°C - max +95°C



ACS

COMPONENTS

POS.	PART NAME	N°	MATERIAL
1	Fitting	1	CW617N UNI-EN 12164
2	O-Ring	2	EPDM Perox
3	Washer	1	PTFE
4	Bushing PEX-AL-PEX	1	AISI 304 stainless steel
5	Bushing PEX	1	AISI 304 stainless steel

DIMENSIONS

A (Pex-Al-Pex)	B (Pex)
16x2	12x1,1
16x2	16x1,5
20x2	20x1,9

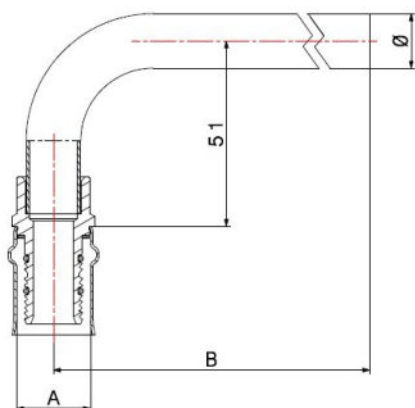
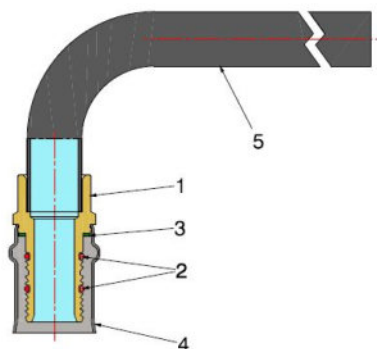
PACKAGING

	16 - 12	16 - 16	20 - 20
CODE	46021612	46011616	46002020
PCS BAG	10	10	10
PCS CARTON	200	200	120

PRESS FITTINGS FOR PEX-AL-PEX PIPES

PRESS FITTING WITH EXTENSION FOR RADIATOR

4005



- Press fitting with extension for radiator
- Maximum operating pressure 10 bar
- Temperature range min 0°C – max +95°C
- Finishing nickel-plated
- The jaws for the fitting pressing have to be **TH** profile.

Items are sold in pairs.

Fitting suitable for distributing fluids that are generally non-corrosive, compatibly with the fitting materials. Heating and HVAC systems are the ideal fields of application. The tightness is guaranteed by two EPDM PEROX O-Rings, particularly recommended with water-glycol solutions, with a maximum glycol presence of 50%.

The steel sleeve pressing, carried out with electromechanical tools, ensures a perfect and indivisible crimping to the pipe as well as an excellent resistance to external stress.

COMPONENTS

POS.	PART NAME	N°	MATERIAL
1	Fitting	1	CW617N UNI-EN 12164 nickel-plated
2	O-Ring	2	EPDM Perox
3	Washer	1	PTFE
4	Bushing	1	AISI 304 stainless steel
5	Pipe	1	Nickel-plated copper

DIMENSIONS

A	Ø	B
16	15	300
16	15	1100
20	15	300

PACKAGING

	16x15 - 300	16x15 - 1100	20x15 - 300
CODE	40050316	40051116	40050320
PCS BAG	2	2	2
PCS CARTON	100	2	100

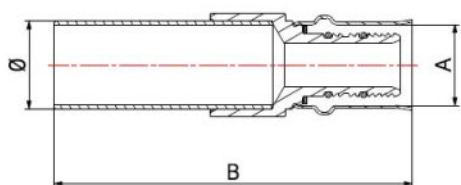
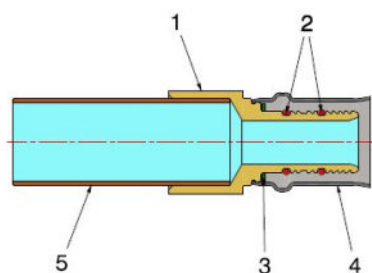
PRESS FITTINGS FOR PEX-AL-PEX PIPES

TRANSITION FITTING FOR COPPER PIPE

4015



- Transition press fitting for PEX-AL-PEX/COPPER
- Maximum operating pressure 10 bar
- Temperature range min 0°C - max +95°C



COMPONENTS

POS.	PART NAME	N°	MATERIAL
1	Fitting	1	CW614N UNI-EN 12164
2	O-Ring	2	EPDM Perox
3	Washer	1	PTFE
4	Bushing	1	AISI 304 stainless steel
5	Pipe	1	Copper

DIMENSIONS

A	Ø	B
16	14	72,3
16	16	72,3
20	18	80,3
20	22	87,5

PACKAGING

	Pex-Al-Pex 16 - Cu 14	Pex-Al-Pex 16 - Cu 16	Pex-Al-Pex 20 - Cu 18	Pex-Al-Pex 20 - Cu 22
CODE	40151665	40151667	40152068	40152069
PCS BAG	20	20	20	20
PCS CARTON	240	240	120	120

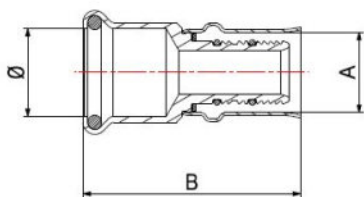
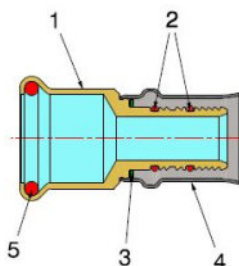
PRESS FITTINGS FOR PEX-AL-PEX PIPES

TRANSITION PRESS FITTING

4016



- Transition press fitting for MULTI-LAYER / COPPER PIPE
- Maximum operating pressure 10 bar
- Temperature range min 0°C - max +95°C
- Press multilayer side with pressing jaw **TH**
- Press copper pipe side with pressing jaw **M**



COMPONENTS

POS.	PART NAME	N°	MATERIAL
1	Fitting	1	CW617N UNI-EN 12164
2	O-Ring	2	EPDM Perox
3	Washer	1	PTFE
4	Bushing	1	AISI 304 stainless steel
5	Gasket	1	EPDM Perox

DIMENSIONS

A	Ø	B
16	15	54
20	22	55

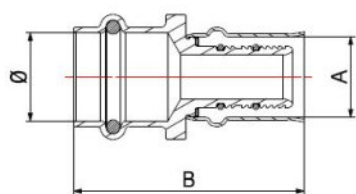
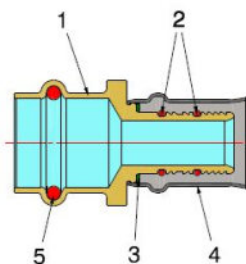
PACKAGING

	Pex-Al-Pex 16 - Cu 15	Pex-Al-Pex 20 - Cu 22
CODE	40161666	40162069
PCS BAG	10	10
PCS CARTON	150	100

PRESS FITTINGS FOR PEX-AL-PEX PIPES

TRANSITION PRESS FITTING

4017



- Transition press fitting for MULTI-LAYER – COPPER PIPE
- Maximum operating pressure 10 bar
- Temperature range min 0°C – max +95°C
- Press multilayer side with pressing jaw **TH**
- Press copper pipe side with pressing jaw **V**

COMPONENTS

POS.	PART NAME	N°	MATERIAL
1	Fitting	1	CW617N UNI-EN 12164
2	O-Ring	2	EPDM Perox
3	Washer	1	PTFE
4	Bushing	1	AISI 304 stainless steel
5	Gasket	1	EPDM Perox

DIMENSIONS

A	Ø	B
16	14	56
16	15	56
16	16	56
20	22	56
26	22	57

PACKAGING

	Pex-Al-Pex 16 - Cu 14	Pex-Al-Pex 16 - Cu 15	Pex-Al-Pex 16 - Cu 16	Pex-Al-Pex 20 - Cu 22	Pex-Al-Pex 26 - Cu 22
CODE	40171665	40171666	40171667	40172069	40172669
PCS BAG	10	10	10	10	10
PCS CARTON	150	150	150	100	100

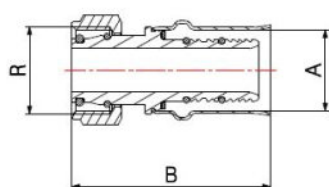
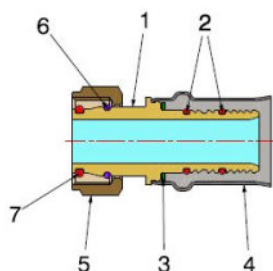
PRESS FITTINGS FOR PEX-AL-PEX PIPES

STRAIGHT PRESS FITTING

9660



- Straight press fitting - M22x1,5 and swivel nut
- Maximum operating pressure 10 bar
- Thread M22x1,5
- Temperature range min 0°C - max +95°C
- Finishing yellow (approved ACS)
- Finishing nickel-plated (NOT approved ACS)



COMPONENTS

POS.	PART NAME	N°	MATERIAL
1	Fitting	1	CW617N UNI-EN 12164 nickel-plated
2	O-Ring	2	EPDM Perox
3	Washer	1	PTFE
4	Bushing	1	AISI 304 stainless steel
5	Elastic ring	1	AISI 302 stainless steel
6	O-Ring	1	EPDM Perox
7	Nut	1	CW617N UNI-EN 12165 nickel-plated

DIMENSIONS

A	R	B	C
16	M22x1,5	50	16
20	M22x1,5	55	16

PACKAGING

	16 - M22x1,5	20 - M22x1,5
CODE	96601600	96602000
PCS BAG	10	10
PCS CARTON	250	200

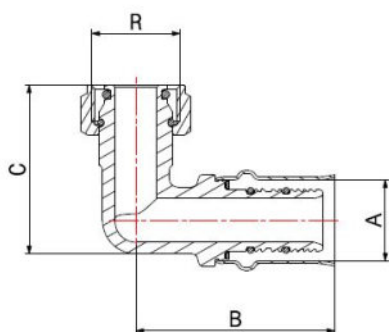
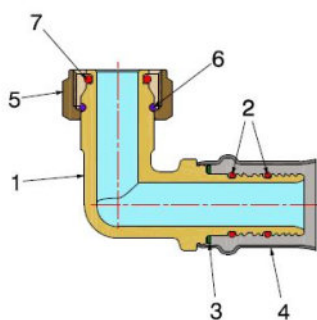
PRESS FITTINGS FOR PEX-AL-PEX PIPES

ELBOW FITTING WITH SWIVEL NUT

9661



- Elbow press fitting M22x1,5 and swivel nut
- Maximum operating pressure 10 bar
- Thread M22x1,5
- Temperature range min 0°C - max +95°C
- Finishing yellow (approved ACS)
- Finishing nickel-plated (NOT approved ACS)



COMPONENTS

POS.	PART NAME	N°	MATERIAL
1	Fitting	1	CW617N UNI-EN 12165 nickel-plated
2	O-Ring	2	EPDM Perox
3	Washer	1	PTFE
4	Bushing	1	AISI 304 stainless steel
5	Nut	1	CW617N UNI-EN 12165 nickel-plated
6	Safety ring	1	AISI 302 stainless steel
7	O-Ring 12,5x2	1	EPDM Perox

DIMENSIONS

A	R	B	C
16	M22x1,5	61	44,5
20	M22x1,5	62,5	46,5

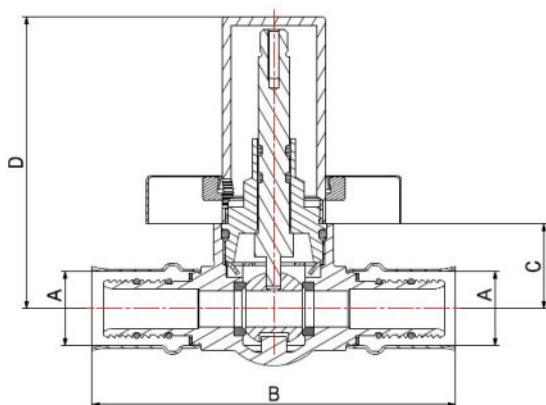
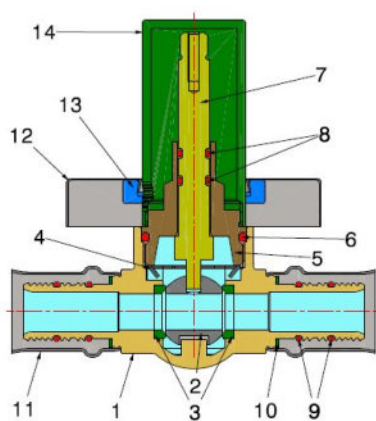
PACKAGING

	16 - M22x1,5	20 - M22x1,5
CODE	96611600	96612000
PCS BAG	10	10
PCS CARTON	150	120

PRESS FITTINGS FOR PEX-AL-PEX PIPES

BUILT-IN BALL VALVE

4805



- Built-in ball valve with closed knob and coupling cap for multilayer pipe
- Knob, cap finishing chrome-plated - fitting finishing yellow
- Extractable stem and ball
- Maximum operating pressure 10 bar
- Temperature range min 0°C - max +95°C
- The jaws for the fittings pressing have to be **TH** profile.

This valve is particularly indicated for distributing, regulating and shutting off generally non-corrosive fluids that are compatible with the valve materials. An excellent field of application is in plant engineering for plumbing and heating, where it is used as a shut-off valve for built-in installation. Seat seal is provided by two PTFE seats, both of which can be removed together with the ball for maintenance purposes. Seal of the manoeuvring part is provided by two EPDM Perox O-Rings.

COMPONENTS

POS.	PART NAME	N°	MATERIAL
1	Body	1	CW617N UNI-EN 12165
2	Ball	1	CW617N UNI-EN 12164 chrome-plated
3	Seal	2	PTFE
4	Manoeuvre retainer	1	Stainless steel
5	Upper part	1	CW617N UNI-EN 12164
6	O-Ring upper part	1	EPDM Perox
7	Stem	1	CW617N UNI-EN 12164
8	O-Ring stem	2	EPDM Perox
9	O-Ring fitting	4	EPDM Perox
10	Washer	2	PTFE
11	Bushing	2	AISI 304 stainless steel
12	Rosette	1	CW508L chrome-plated
13	Gasket rosette	1	PVC
14	Specal knob	1	ZAMA chrome-plated

DIMENSIONS

A	B	C min	C max	D	PN
16	100	18	66	81	10
20	100	18	66	81	10
26	100	20	68	83	10

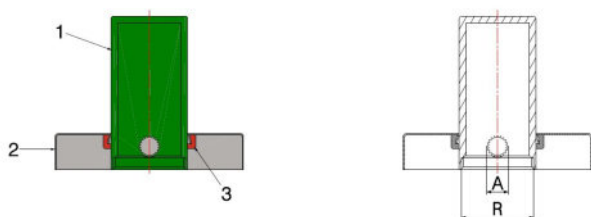
PACKAGING

	16	20	26
CODE	48051616	48052020	48052626
PCS BOX	4	4	4
PCS CARTON	40	40	40

ACCESSORIES

ROSETTE AND U-BOLT

4805XC



- Rosette and u-bolt for 1/2" and 3/4" valves

COMPONENTS

POS.	PART NAME	N°	MATERIAL
1	U-bolt	1	CW508L chrome-plated
2	Gasket	1	PVC
3	Special knob	1	Zama chromed-plated

DIMENSIONS

A (Broach)	B
8x20	Ø27x19 Fil.

8x20 Broach

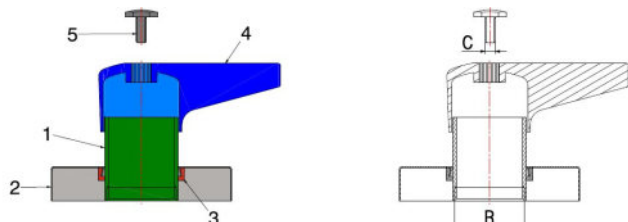
CODE

48050000XC

ACCESSORIES

ROSETTE, HANDLE, SCREW

4802XC



- Rosette, handle and screw

COMPONENTS

POS.	PART NAME	N°	MATERIAL
1	U-bolt	1	Zama chrome-plated
2	Rosette	1	CW508L chrome-plated
3	Gasket	1	PVC
4	Handle	1	Zama chrome-plated
5	Screw	1	Steel

DIMENSIONS

A (Broach)	B	C
8x20	Ø27x19 Fil.	M3

8x20 Broach

CODE

48020000XC

ACCESSORIES

ROSETTE, GLOBE HANDLE

4800XC

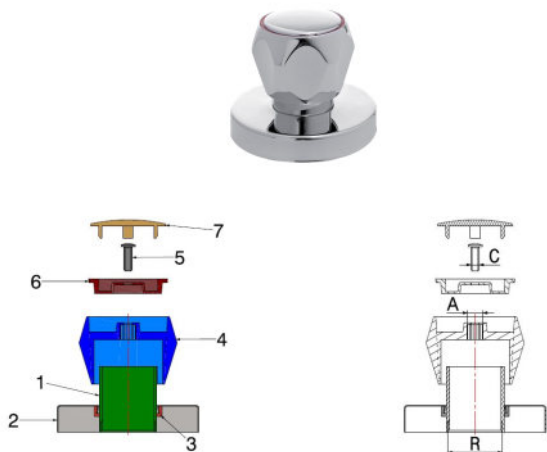
- Rosette and globe handle

COMPONENTS

POS.	PART NAME	N°	MATERIAL
1	U-bolt	1	Zama chrome-plated
2	Rosette	1	CW508L chrome-plated
3	Gasket	1	PVC
4	Handle	1	Zama chrome-plated
5	Screw	1	Steel
6	Colored disc	1	Plastic (red or blue)
7	Plate	1	Plastic chrome-plated

DIMENSIONS

A (Broach)	B	C
8x20	∅27x19 Fil.	M3



8x20 Broach

CODE

48000000XC

ACCESSORIES

VALVE REPAIR KIT

4800XF

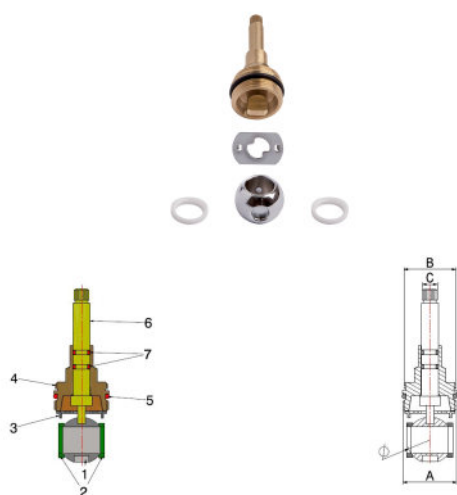
- Built-in ball valve for multilayer pipe repair kit

COMPONENTS

POS.	PART NAME	N°	MATERIAL
1	Ball	1	CW614N UNI-EN 12164 chrome-plated
2	Seal	2	PTFE
3	Manoeuvre retainer	1	Stainless steel
4	Upper part	1	CW617N UNI-EN 12165
5	Upper part O-Ring	1	EPDM Perox
6	Stem	1	CW614N UNI-EN 12164
7	Stem O-Ring	2	EPDM Perox

DIMENSIONS

Pex-Al-Pex	B	B	C (Broach)	∅ (sphere size)
16 - 20	28x19 Fil.	27x19 Fil.	8x20	20,1



16 - 20

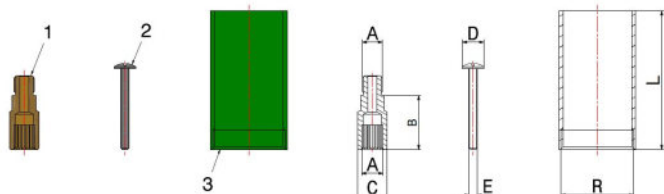
CODE

48001620XF

ACCESSORIES

EXTENSION

4810



- Extension for built-in ball valve for handle and globe handle

COMPONENTS

POS.	PART NAME	N°	MATERIAL
1	Extension	1	CW617N UNI-EN 12164
2	M3 Screw	1	Brass
3	U-bolt	1	CW508L chrome-plated

DIMENSIONS

A (Broach)	B	C	D	E	L	R
8x20	20	11	8	M3	51,5	Ø27x19 Fil.

8x20 Broach

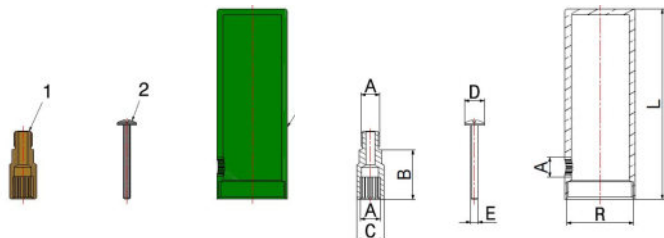
CODE

48100004

ACCESSORIES

EXTENSION

4811



- Extension for built-in ball valve with u-bolt

COMPONENTS

POS.	PART NAME	N°	MATERIAL
1	Extension	1	CW614N UNI-EN 12164
2	M3 Screw	1	Brass
3	Special knob	1	CW508L chrome-plated

DIMENSIONS

A (Broach)	B	C	D	E	L	R
8x20	20	11	6	M3	77	Ø27x19 Fil.

8x20 Broach

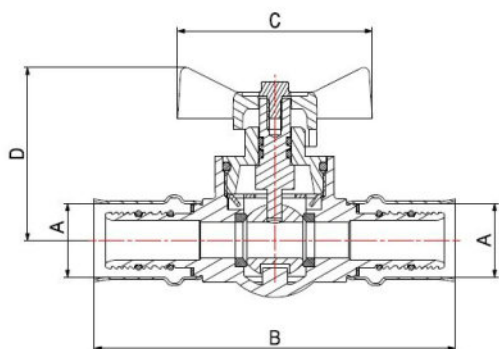
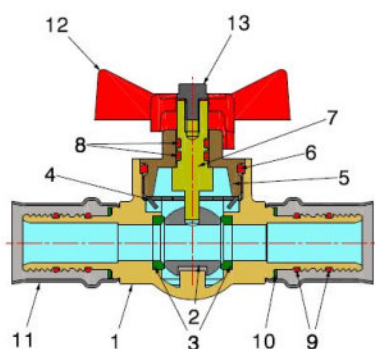
CODE

48110004

PRESS FITTINGS FOR PEX-AL-PEX PIPES

BALL VALVE WITH TEE HANDLE

4806



- Removable ball valve with T handle and press connections for multi-layer pipe.
- Maximum operating pressure of 10 bar
- Temperature range between min 0°C - max +95°C
- Removable ball and screw
- The jaws for the fitting pressing have to be **TH** profile.

Valve suitable for distributing and interrupting fluids that are generally non-corrosive, compatibly with the valve materials. Plumbing and heating systems are the ideal fields of application, where it is used as a shut-off valve. The ball seal is guaranteed by two PTFE seats, both removable, as the ball itself, to carry out potential maintenance operations. The operating mechanism seal features two EPDM PEROX O-Rings. It is advisable to carry out a complete maneuver cycle at least once every three months in order to prevent limescale deposits that could compromise the valve functioning.

COMPONENTS

POS.	PART NAME	N°	MATERIAL
1	Body	1	CW617N UNI-EN 12165
2	Ball	1	CW617N UNI-EN 12164 chrome-plated
3	Seal	2	PTFE
4	Manouvre retainer	1	Stainless steel
5	Upper part	1	CW617N UNI-EN 12164
6	O-Ring upper part	1	EPDM Perox
7	Stem	1	CW617N UNI-EN 12164
8	O-Ring stem	2	EPDM Perox
9	O-Ring fitting	4	EPDM Perox
10	Washer	2	PTFE
11	Bushing	2	AISI 304 stainless steel
12	Handle	1	Lacquered aluminium
13	Screw	1	Galvanised iron

DIMENSIONS

A	B	C	D	PN
16	100	54	48	10
20	100	54	48	10
26	100	54	50	10

PACKAGING

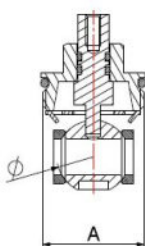
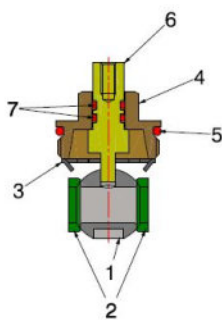
	16	20	26
CADE	48061616R	48062020R	48062626R
PCS BAG	10	10	8
PCS CARTON	60	60	48

ACCESSORIES

MAINTENANCE KIT FOR REMOVAL BALL VALVE

4806XF

- Maintenance kit for removable ball valve with press connection for multi-layer pipe.



COMPONENTS

POS.	PART NAME	N°	MATERIAL
1	Ball	1	CW614N UNI-EN 12164 chrome-plated
2	Seal	2	PTFE
3	Manoeuvre retainer	1	Stainless steel
4	Upper part	1	CW617N UNI-EN 12165
5	Upper part O-Ring	1	EPDM Perox
6	Stem	1	CW614N UNI-EN 12164
7	Stem O-Ring	2	EPDM Perox

DIMENSIONS

Pex-Al-Pex	A	Ø (sphere size)
16 - 20	27x19 Fil.	20,1
26	27x19 Fil.	24

16 - 20

26

CODE

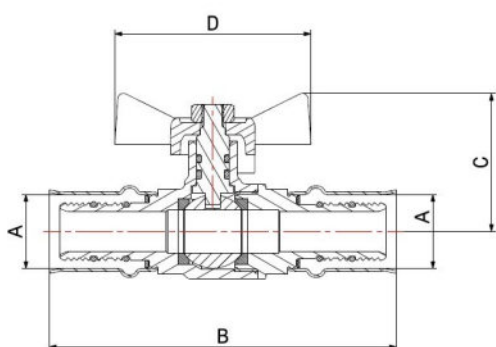
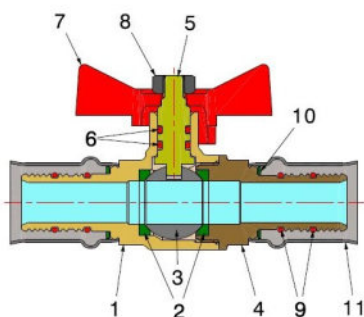
48061620XF

48062600XF

PRESS FITTINGS FOR PEX-AL-PEX PIPES

BUILT-IN BALL VALVE WITH PRESS CONNECTIONS

402100



- Built-in ball valve with T handle and press connections
- Maximum operating pressure of 10 bar
- Temperature range between min 0°C – max +95°C
- The jaws for the fitting pressing have to be **TH** profile

Valve suitable for distributing and interrupting fluids that are generally non – corrosive and compatibly with the valve material. Heating, plumbing and industrial systems are the ideal fields of application, such as high and low temperature heating systems, air-conditioning and distribution of drinking water. The ball seal is guaranteed by two PTFE seats. The operating mechanism seal features two O-Rings with an internally installed stem and anti-ejection system. The Pex-Al-Pex valve-pipe seal is ensured by two O-Rings in EPDM PEROX, particularly suitable for use with water and glycol solutions maximum 50%. The pressing of the stainless steel sleeve, to be carried out with electromechanical tools, guarantees a perfect and indivisible join between fitting and pipe and a good resistance to external stresses. It is advisable to carry out a complete maneuver cycle at least once every three months in order to prevent limescale deposits that could compromise the valve functioning.

COMPONENTS

POS.	PART NAME	N°	MATERIAL
1	Body	1	CW617N UNI-EN 12165
2	Seal	2	PTFE
3	Ball	1	CW617N UNI-EN 12164 chrome-plated
4	End connection	1	CW617N UNI-EN 12164
5	Stem	1	CW617N UNI-EN 12164
6	O-Ring	2	EPDM Perox
7	"T" handle	1	Lacquered alluminium
8	Nut	1	Galvanised iron
9	O-Ring	4	EPDM Perox
10	Washer	2	PTFE
11	Bushing	2	AISI 304 stainless steel

DIMENSIONS

A	B	C	D	PN
16	96	38	54	10
20	96	38	54	10
26	96	40	54	10
32	100	43	54	10

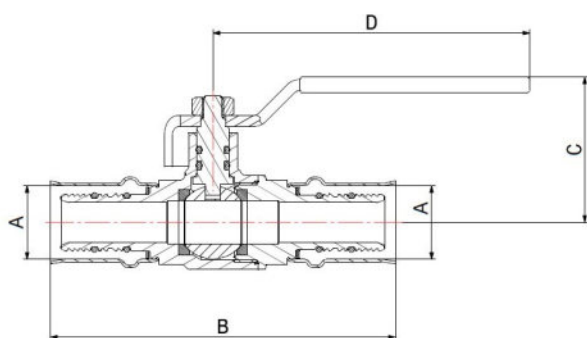
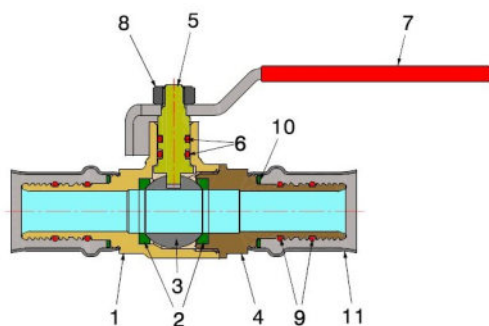
PACKAGING

	16	20	26	32
CODE	40210016R	40210020R	40210026R	40210032R
PCS BOX	10	10	10	8
PCS CARTON	100	100	100	80

PRESS FITTINGS FOR PEX-AL-PEX PIPES

BUILT-IN BALL VALVE WITH PRESS CONNECTIONS

402101



- Built-in ball valve with iron lever and press connections
- Maximum operating pressure of 10 bar
- Temperature range between min 0°C – max +95°C
- The jaws for the fitting pressing have to be **TH** profile

Valve suitable for distributing and interrupting fluids that are generally non – corrosive and compatibly with the valve material. Heating, plumbing and industrial systems are the ideal fields of application, such as high and low temperature heating systems, air-conditioning and distribution of drinking water. The ball seal is guaranteed by two PTFE seats. The operating mechanism seal features two O-Rings with an internally installed stem and anti-ejection system. The Pex-Al-Pex valve-pipe seal is ensured by two O-Rings in EPDM PEROX, particularly suitable for use with water and glycol solutions maximum 50%. The pressing of the stainless steel sleeve, to be carried out with electromechanical tools, guarantees a perfect and indivisible join between fitting and pipe and a good resistance to external stresses. It is advisable to carry out a complete maneuver cycle at least once every three months in order to prevent limescale deposits that could compromise the valve functioning.

COMPONENTS

POS.	PART NAME	N°	MATERIAL
1	Body	1	CW617N UNI-EN 12165
2	Seal	2	PTFE
3	Ball	1	CW617N UNI-EN 12164 chrome-plated
4	End connection	1	CW617N UNI-EN 12164
5	Stem	1	CW617N UNI-EN 12164
6	O-Ring	2	EPDM Perox
7	Lever	1	Galvanised iron and PVC coated
8	Nut	1	Galvanised iron
9	O-Ring	4	EPDM Perox
10	Washer	2	PTFE
11	Bushing	2	AISI 304 stainless steel

DIMENSIONS

A	B	C	D	PN
16	96	40	87	10
20	96	40	87	10
26	96	42	87	10
32	100	45	87	10

PACKAGING

	16	20	26	32
CODE	40210116R	40210120R	40210126R	40210132R
PCS BOX	10	10	10	8
PCS CARTON	100	100	100	80

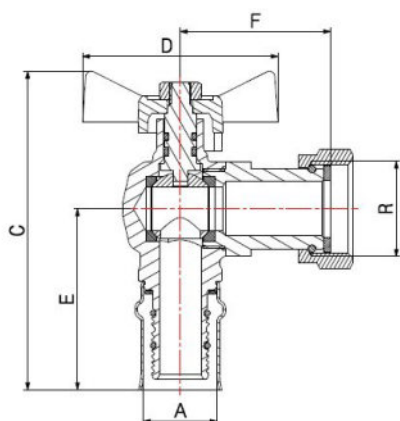
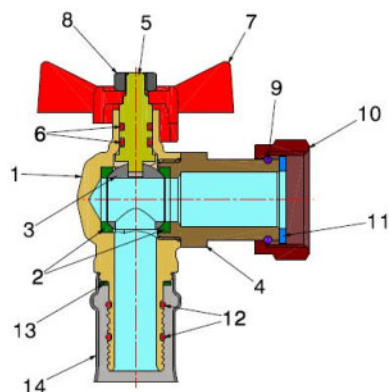
PRESS FITTINGS FOR PEX-AL-PEX PIPES

BALL VALVE WITH COMPRESSION ENDS

8647



- Angle press ball valve with swivel nut and T handle
- Maximum operating pressure of 10 bar
- Temperature range between min 0°C - max +95°C
- The jaws for the fitting pressing have to be **TH** profile.



Valve suitable for distributing and interrupting fluids that are generally non-corrosive, compatibly with the valve materials. Heating, plumbing and industrial systems are the ideal fields of application, such as high and low temperature heating systems, HVAC, air-conditioning and water distribution.

The ball seal is guaranteed by two PTFE seats. The operating mechanism seal features two O-Rings with an internally installed stem and anti-ejection system.

It is advisable to carry out a complete maneuver cycle at least once every three months in order to prevent calcareous deposits that could compromise the valve functioning.

COMPONENTS

POS.	DESCRIZIONE	N°	MATERIALE
1	Body	1	CW617N UNI-EN 12165 nickel-plated
2	Seal	2	PTFE
3	Ball	1	CW617N UNI-EN 12164 chrome-plated
4	End connection	1	CW617N UNI-EN 12164 nickel-plated
5	Stem	1	CW617N UNI-EN 12164
6	O-Ring	2	EPDM Perox
7	Handle	1	Lacquered aluminium
8	Nut	1	Galvanised iron
9	Elastic ring	1	Stainless steel
10	Nut	1	CW617N UNI-EN 12165 nickel-plated
11	Gasket	1	Fasit Omnia
12	O-Ring	2	EPDM Perox
13	Washer	1	PTFE
14	Bushing	1	AISI 304 Stainless steel

DIMENSIONS

A	R	C	D	E	F
20	3/4"	88	54	50	42
26	1"	90	54	52	45

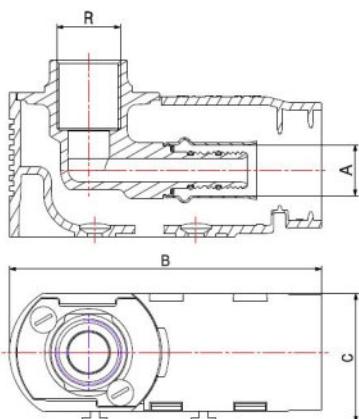
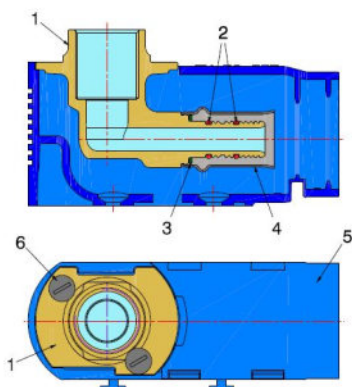
PACKAGING

	20 - 3/4"	26 - 1"
CODE	86472006R	86472608R
PCS BAG	10	8
PCS CARTON	100	80

PRESS FITTINGS FOR PEX-AL-PEX PIPES

SANITAIRE FITTING

9644



- Sanitaire press fitting 1/2" F – 16x2
- Thread EN 10226-1
- Maximum operating pressure 10 bar
- Temperature range min 0°C -max +95°C
- Protection cover
- Modular assembly
- On bracket or with dowels mounting

COMPONENTS

POS.	PART NAME	N°	MATERIAL
1	Fitting	1	CW617N UNI-EN 12165
2	O-Ring	2	EPDM Perox
3	Washer	1	PTFE
4	Bushing	1	AISI 304 stainless steel
5	Box	1	Plastic
6	Screw	2	Galvanised iron

DIMENSIONS

A	R	B	C
16	1/2"	101	42

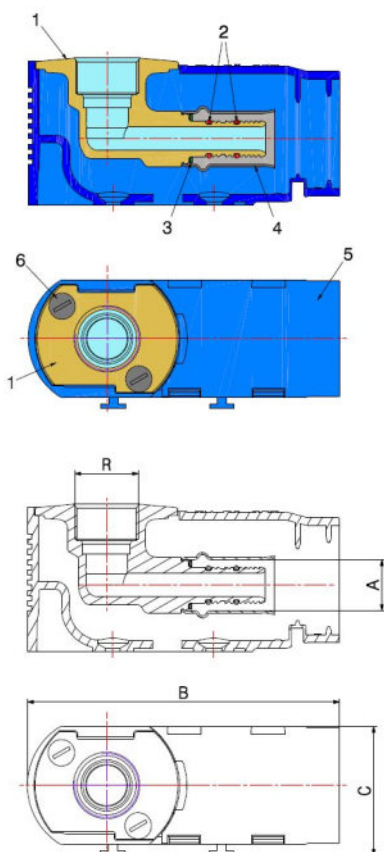
PACKAGING

	16 - 1/2"
CODE	96441604
PCS BAG	1
PCS CARTON	30

PRESS FITTINGS FOR PEX-AL-PEX PIPES

CHAUFFAGE FITTING

9643



- Chauffage press fitting 1/2" F – 16x2
- Thread EN 10226-1
- Maximum operating pressure 10 bar
- Temperature range min 0°C - max +95°C
- Protection cover
- Modular assembly
- On bracket or with dowels mounting

COMPONENTS

POS.	PART NAME	N°	MATERIAL
1	Body	1	CW617N UNI-EN 10165
2	O-Ring	2	EPDM Perox
3	Washer	1	PTFE
4	Bushing	1	AISI 304 stainless steel
5	Box	1	Plastic
6	Screw	2	Galvanized iron

DIMENSIONS

A	R	B	C
16	1/2"	101	42

PACKAGING

	16 - 1/2"
CODE	96431604
PCS BAG	1
PCS CARTON	30

PEX-AL-PEX PIPES FOR GAS

HOMEGAS PEX-AL-PEX PIPE

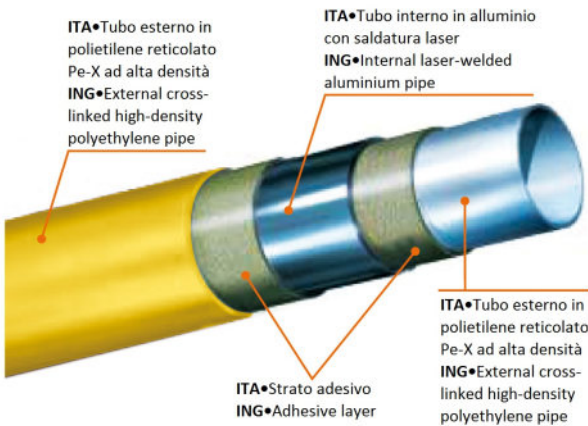
4480



This multi-layer pipe is a valid alternative to the plastic and metal pipes currently in use.

The main advantages are:

- Easy installation as it is lightweight and has no elastic memory as a result of the internal aluminium layer.
- A very high standard of hygiene, so it can be used to convey drinking water in accordance with Ministry of Health regulations.
- Corrosion resistance due to cross-linked polyethylene layers and the use of fittings with dielectric barriers that protect the product against chemical, electromagnetic and natural corrosion, thus preventing the so-called "pile effect".
- Reduced load losses. The internal polyethylene lining guarantees considerable reduction in the load losses that normally occur with metal piping. The absence of limescale ensures a constant flow through time.
- Impermeability to oxygen. The aluminium layer creates a barrier to gases that could trigger corrosion in the circuits and the formation of moulds and bacteria.
- Reduced thermal expansion. The multi-layer pipe reduces thermal expansion of the plastic materials due to the internal aluminium layer and maintains their properties, such as reduced load losses, a high standard of hygiene and ease of installation, as it is easy to bend and maintains the desired curvature even at low temperatures.



PACKAGING

	16x2	20x2	26x3
CODE	44801600	44802000	44802600
METERS PER BOX	100	100	100

PEX-AL-PEX PIPES FOR GAS

HOMEGAS PEX-AL-PEX PIPE

4481



Multi-layer pipe with girdle for heating and sanitary use.

This multi-layer pipe is a valid alternative to the plastic and metal pipes currently in use.

The main advantages are:

- Easy installation as it is lightweight and has no elastic memory as a result of the internal aluminium layer.
- A very high standard of hygiene, so it can be used to convey drinking water in accordance with Ministry of Health regulations.
- Corrosion resistance due to cross-linked polyethylene layers and the use of fittings with dielectric barriers that protect the product against chemical, electromagnetic and natural corrosion, thus preventing the so-called "pile effect".
- Reduced load losses. The internal polyethylene lining guarantees considerable reduction in the load losses that normally occur with metal piping. The absence of limescale ensures a constant flow through time.
- Impermeability to oxygen. The aluminium layer creates a barrier to gases that could trigger corrosion in the circuits and the formation of moulds and bacteria.
- Reduced thermal expansion. The multi-layer pipe reduces thermal expansion of the plastic materials due to the internal aluminium layer and maintains their properties, such as reduced load losses, a high standard of hygiene and ease of installation, as it is easy to bend and maintains the desired curvature even at low temperatures.



PACKAGING

	16x2	20x2	26x3
CODE	44811600	44812000	44812600
METERS PER BOX	50	50	25

HOMEGAS SYSTEM

BONOMI HOMEGAS SYSTEM

HOMEGAS



BONOMI HOMEGAS system is manufactured according to UNI 11344 "multi-layer piping systems and meta-plastic fittings carrying gaseous fuels for internal systems", and UNI 11343 "plant gas supply for domestic use fed by network distribution of bins and fixed GPL storage tanks, piping systems made of multi-layer metal-plastic-Design, installation and maintenance "and is composed of multi-layer pipe PE-Xb/Al/PE-Xb yellow, press brass fittings identified by GAS marking.

Valves and all connections and terminals that make up the multi-layered metal system are placed in special metal boxes with lid unsealed for inspection in accordance with UNI CIG 7129-1.

BONOMI HOMEGAS system can be used in air supply and distribution of gas at low pressure with the following applications:

- Type of Gas: Natural Gas (2nd family) and GPL (3rd family)
- Maximum operating pressure (MOP): 0,5 bar (500 Mbar)
- Temperature range: -20°C to +70 °C

General precautions of use

Instructions for transport, storage and installation of the system, can be downloaded directly on the website www.idrosanitariabonomi.com in the download section, or can be obtained directly from our sales department.

Installer should always verify the integrity of the connection before the installation.

It is forbidden:

- the use of fittings visibly damaged or otherwise not well conserved;
- the use of tools and/or jaws/templates other than those set by the system manufacturer in the operating instructions and warnings;
- the use of tubes other than those specified by the system manufacturer in the operating instructions and warnings;
- interfere with or replace any seal.

In the transport operation is appropriate to place the tubes on smooth surfaces and avoid unnecessary protrusions.

The tubes delivered on site (usually prepared in rolls or rods) should be stored in places away from sunlight and heat in order not to cause any damage to the tube surface. It is good practice to keep the tubes in the original packaging that contributes to the perfect preservation in order to protect the material from the solar UV radiation and avoid contact with sharp or abrasive bodies.

HOME GAS system

PRESSING SYSTEM FOR FITTINGS FROM 16 TO 26

HOME GAS



The pressing system for connectors from 16 to 26 is done through the utilization of a tong **TH** model, that misshapes the bush in stainless steel AISI 304 solubilized determining the locking of the pipe to the connector.

THE SYSTEM PIPE/FITTING IN DIAMETERS 16 - 20 - 26 IS APPROVED BY:



DIMENSIONS

Ø PIPE	PIPE THICKNESS
16	2
20	2
26	3

MOUNTING INSTRUCTIONS HOMEGAS CONNECTORS FROM Ø 16 mm a Ø 26 mm



Cut perpendicularly the pipe with shears art.3812 avoiding to misshape it.
It is forbidden to use other pipes than those specified by the manufacturer of the system.



Gauge carefully the end of the pipe using the apposite calibrator-countersink art. 3813.



Verify the correct flare and eliminate the materials residues, those could damage the sealing O-Rings.



Insert the pipe into the connector till to touch the dielectrical washer, make sure that the tube is in the right position thanks to the bush's holes.
Avoid the use damaged fittings.



Before pressing, check the functioning of the press tool art. 3810. Position the tongs TH art. 3811 in the proper way. The swelling ring of the bush has to be insert into the groove of the tongs.



Run up to the pressing contact of the two jaws of the pliers.
Make sure to periodically check the state of wear, the integrity and cleanliness of the pressing jaws.



Pipe perfectly assembled to the connector



To facilitate insertion of the fitting use only silicon lubricants

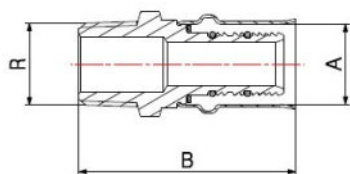
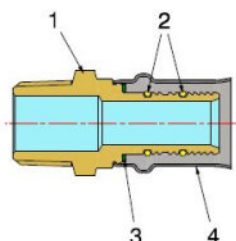
PRECAUTIONS

The joining process, materials, equipments and tools used should be those defined by the manufacturer of the system for multi-layer pipes, with directions and procedures laid down in the booklet of instructions and warnings, specifically done in support of the same. Fittings can be buried or placed subtrack on condition that they are respectively inserted into a suitable well, that can be inspected or a special box with not-tight lid, that can be inspected too. The points of junctions in correspondence of the fittings placed in the wells should be properly protected against corrosion, as required by EN 12954.

HOMEGAS PRESS FITTINGS FOR PEX-AL-PEX PIPES

MALE STRAIGHT FITTING

4401



- Male straight press fitting for gas
- Maximum operating pressure MOP 0,5 BAR
- Thread UNI EN 10226-1
- Temperature range min -20°C – max +70°C
- Manufactured according to UNI/TS11344
- The jaws to be used for the pressing are **TH** profile.

The fitting is particularly suitable for the distribution of natural gas and GPL at low pressure.

The fields of application can be the installation of new plants or replacing existing ones. Sealing is ensured by two O-Rings in NBR with yellow teflon, approved according to UNI EN 682/06 and DVGW EN 549.

The pressing of the steel sleeve ensures a perfect and indivisible grafting to the pipe and a good resistance to external stresses.



COMPONENTS

POS.	PART NAME	N°	MATERIAL
1	Fitting	1	CW617N UNI-EN 12165 (hot pressed) - CW617N UNI-EN 12164 (from bar)
2	O-Ring	2	NBR UNI-EN 682/06 - DVGW EN 549
3	Washer	1	PTFE
4	Bushing	1	AISI 304 stainless steel "gas marked"

DIMENSIONS

A	R	B
16	1/2"	57
20	1/2"	57
20	3/4"	57
26	3/4"	59
26	1"	61

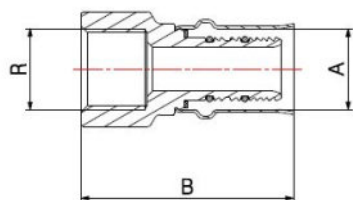
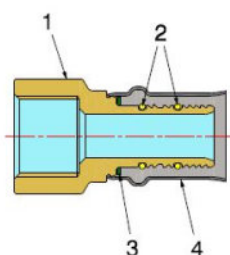
PACKAGING

	16 - 1/2"	20 - 1/2"	20 - 3/4"	26 - 3/4"	26 - 1"
CODE	44011654	44012054	44012056	44012656	44012658
PCS BAG	10	10	10	5	5
PCS CARTON	250	200	150	100	80

HOMEGAS PRESS FITTINGS FOR PEX-AL-PEX PIPES

FEMALE STRAIGHT PRESS FITTING

4402



- Female straight press fitting for gas
- Maximum operating pressure MOP 0,5 BAR
- Thread UNI EN 10226-1
- Temperature range min -20°C max +70°C
- Manufactured according to UNI/TS11344
- The jaws to be used for the pressing are **TH** profile.

The fitting is particularly suitable for the distribution of natural gas and GPL at low pressure.

The fields of application can be the installation of new plants or replacing existing ones. Sealing is ensured by two O-Rings in NBR with yellow teflon, approved according to UNI EN 682/06 and DVGW EN 549.

The pressing of the steel sleeve ensures a perfect and indivisible grafting to the pipe and a good resistance to external stresses.



COMPONENTS

POS.	PART NAME	N°	MATERIAL
1	Fitting	1	CW617N UNI-EN 12165
2	O-Ring	2	NBR UNI-EN 682/06 - DVGW EN 549
3	Washer	1	PTFE
4	Bushing	1	AISI 304 stainless steel "gas marked"

DIMENSIONS

A	R	B
16	1/2"	53,5
20	1/2"	53,5
20	3/4"	53,5
26	3/4"	53
26	1"	58

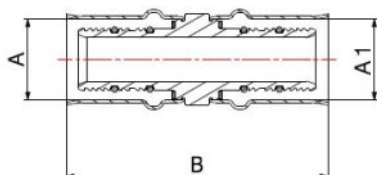
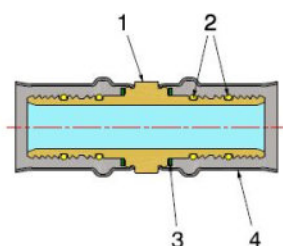
PACKAGING

	16 - 1/2"	20 - 1/2"	20 - 3/4"	26 - 3/4"	26 - 1"
CODE	44021654	44022054	44022056	44022656	44022658
PCS BAG	10	10	10	5	5
PCS CARTON	200	150	120	100	70

HOMEGAS PRESS FITTINGS FOR PEX-AL-PEX PIPES

INTERMEDIATE STRAIGHT PRESS FITTING

4403



- Intermediate straight press fitting for gas
- Maximum operating pressure MOP 0,5 BAR
- Temperature range min -20°C max +70°C
- Manufactured according to UNI/TS11344
- The jaws to be used for the pressing are **TH** profile.

The fitting is particularly suitable for the distribution of natural gas and GPL at low pressure.

The fields of application can be the installation of new plants or replacing existing ones. Sealing is ensured by two O-Rings in NBR with yellow teflon, approved according to UNI EN 682/06 and DVGW EN 549.

The pressing of the steel sleeve ensures a perfect and indivisible grafting to the pipe and a good resistance to external stresses.



COMPONENTS

POS.	PART NAME	N°	MATERIAL
1	Fitting	1	CW617N UNI-EN 12164
2	O-Ring	4	NBR UNI-EN 682/06 - DVGW EN 549
3	Washer	2	PTFE
4	Bushing	2	AISI 304 stainless steel "gas marked"

DIMENSIONS

A	A1	B
16	16	66
20	16	66
20	20	66
26	20	66
26	26	66

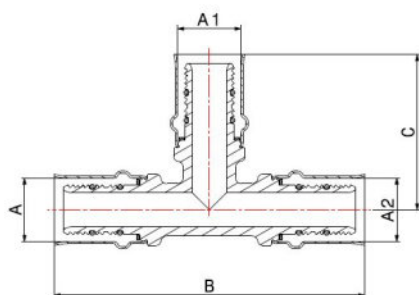
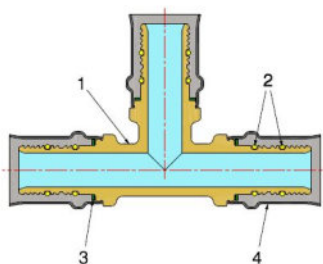
PACKAGING

	16 - 16	20 - 16	20 - 20	26 - 20	26 - 26
CODE	44031616	44032016	44032020	44032620	44032626
PCS BAG	10	10	10	10	10
PCS CARTON	200	150	120	100	100

HOMEGAS PRESS FITTINGS FOR PEX-AL-PEX PIPES

INTERMEDIATE TEE FITTING

4431



- Intermediate tee press fitting for gas
- Maximum operating pressure MOP 0,5 BAR
- Temperature range min. -20°C – max. +70°C
- Manufactured according to UNI/TS11344
- The jaws to be used for the pressing are **TH** profile.

The fitting is particularly suitable for the distribution of natural gas and G PL at low pressure.

The fields of application can be the installation of new plants or replacing existing ones. Sealing is ensured by two O-Rings in NBR with yellow teflon, approved according to UNI EN 682/06 and DVGW EN 549.

The pressing of the steel sleeve ensures a perfect and indivisible grafting to the pipe and a good resistance to external stresses.



COMPONENTS

POS.	PART NAME	N°	MATERIAL
1	Fitting	1	CW617N UNI-EN 12165
2	O-Ring	6	NBR UNI-EN 682/06 - DVGW EN 549
3	Washer	3	PTFE
4	Bushing	3	AISI 304 stainless steel "gas marked"

DIMENSIONS

A	A1	A2	B	C
16	16	16	93	46,5
20	16	20	100	50
20	20	20	100	50
26	26	26	104	52

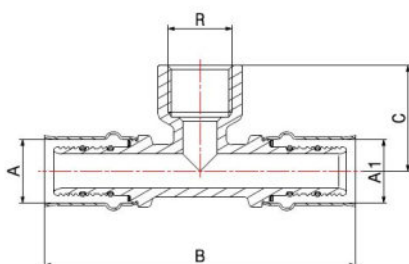
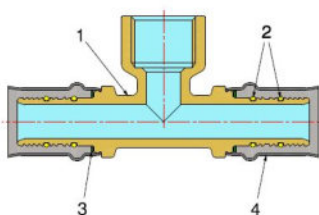
PACKAGING

	16 - 16 - 16	20 - 16 - 20	20 - 20 - 20	26 - 26 - 26
CODE	4431161616	4431201620	4431202020	4431262626
PCS BAG	10	5	5	5
PCS CARTON	100	80	50	40

HOMEGAS PRESS FITTINGS FOR PEX-AL-PEX PIPES

FEMALE TEE FITTING

4432



- Female tee press fitting for gas
- Maximum operating pressure MOP 0,5 BAR
- Thread UNI EN 10226-1
- Temperature range min -20°C - max +70°C
- Manufactured according to UNI/TS11344
- The jaws to be used for the pressing are **TH** profile.

The fitting is particularly suitable for the distribution of natural gas and G PL at low pressure.

The fields of application can be the installation of new plants or replacing existing ones. Sealing is ensured by two O-Rings in NBR with yellow teflon, approved according to UNI EN 682/06 and DVGW EN 549.

The pressing of the steel sleeve ensures a perfect and indivisible grafting to the pipe and a good resistance to external stresses.



COMPONENTS

POS.	PART NAME	N°	MATERIAL
1	Fitting	1	CW617N UNI-EN 12165
2	O-Ring	4	NBR UNI-EN 682/06 - DVGW EN 549
3	Washer	2	PTFE
4	Bushing	2	AISI 304 stainless steel "gas marked"

DIMENSIONS

A	R	A1	B	C
16	1/2"	16	97	33.5
20	1/2"	20	100	33.5
20	3/4"	20	100	35

PACKAGING

	16 - 1/2" - 16	20 - 1/2" - 20	20 - 3/4" - 20
CODE	4432165416	4432205420	4432205620
PCS BAG	5	5	5
PCS CARTON	100	80	50

HOMEGAS PRESS FITTINGS FOR PEX-AL-PEX PIPES

INTERMEDIATE ELBOW FITTING

4451

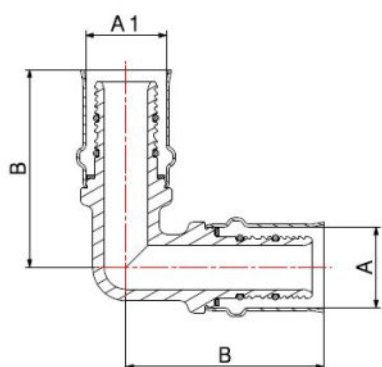
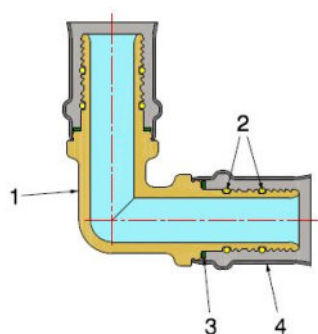


- Intermediate elbow press fitting for gas
- Maximum operating pressure: MOP 0,5 BAR
- Temperature range: min. -20°C – max. +70°C
- Manufactured according to UNI/TS11344
- The jaws to be used for the pressing are **TH** profile.

The fitting is particularly suitable for the distribution of natural gas and G PL at low pressure.

The fields of application can be the installation of new plants or replacing existing ones. Sealing is ensured by two O-Rings in NBR with yellow teflon, approved according to UNI EN 682/06 and DVGW EN 549.

The pressing of the steel sleeve ensures a perfect and indivisible grafting to the pipe and a good resistance to external stresses.



COMPONENTS

POS.	PART NAME	N°	MATERIAL
1	Fitting	1	CW617N UNI-EN 12165
2	O-Ring	4	NBR UNI-EN 682/06 - DVGW EN 549
3	Washer	2	PTFE
4	Bushing	2	AISI 304 stainless steel "gas marked"

DIMENSIONS

A	A1	B
16	16	47
20	20	50
26	26	52

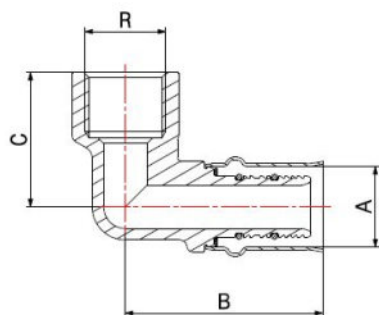
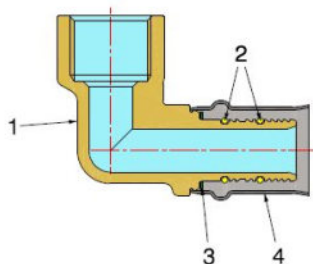
PACKAGING

	16 - 16	20 - 20	26 - 26
CODE	44511616	44512020	44512626
PCS BAG	10	5	5
PCS CARTON	150	100	80

HOMEGAS PRESS FITTINGS FOR PEX-AL-PEX PIPES

FEMALE ELBOW FITTING

4452



- Female elbow press fitting for gas
- Maximum operating pressure MOP 0,5 BAR
- Thread UNI EN 10226-1
- Temperature range min -20°C - max +70°C
- Manufactured according to UNI/TS11344
- The jaws to be used for the pressing are **TH** profile.

The fitting is particularly suitable for the distribution of natural gas and G PL at low pressure.

The fields of application can be the installation of new plants or replacing existing ones. Sealing is ensured by two O-Rings in NBR with yellow teflon, approved according to UNI EN 682/06 and DVGW EN 549.

The pressing of the steel sleeve ensures a perfect and indivisible grafting to the pipe and a good resistance to external stresses.



COMPONENTS

POS.	PART NAME	N°	MATERIAL
1	Fitting	1	CW617N UNI-EN 12165
2	O-Ring	2	NBR UNI-EN 682/06 - DVGW EN 549
3	Washer	1	PTFE
4	Bushing	1	AISI 304 stainless steel "gas marked"

DIMENSIONS

A	R	B	C
16	1/2"	49	34
20	1/2"	50	34
20	3/4"	50	35
26	3/4"	52	40

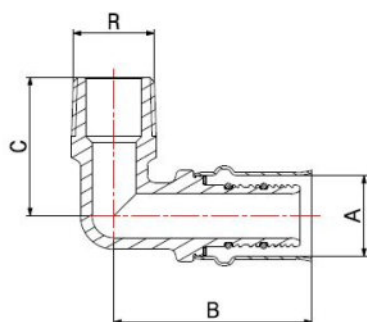
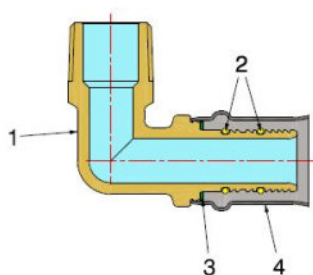
PACKAGING

	16 - 1/2"	20 - 1/2"	20 - 3/4"	26 - 3/4"
CODE	44521654	44522054	44522056	44522656
PCS BAG	10	10	10	5
PCS CARTON	150	120	100	80

HOMEGAS PRESS FITTINGS FOR PEX-AL-PEX PIPES

MALE ELBOW FITTING

4453



- Male elbow press fitting for gas
- Maximum operating pressure MOP 0,5 BAR
- Thread UNI EN 10226-1
- Temperature range min -20°C - max +70°C
- Manufactured according to UNI/TS11344
- The jaws to be used for the pressing are **TH** profile.

The fitting is particularly suitable for the distribution of natural gas and GPL at low pressure.

The fields of application can be the installation of new plants or replacing existing ones. Sealing is ensured by two O-Rings in NBR with yellow teflon, approved according to UNI EN 682/06 and DVGW EN 549.

The pressing of the steel sleeve ensures a perfect and indivisible grafting to the pipe and a good resistance to external stresses.



COMPONENTS

POS.	PART NAME	N°	MATERIAL
1	Fitting	1	CW617N UNI-EN 12165
2	O-Ring	2	NBR UNI-EN 682/06 - DVGW EN 549
3	Washer	1	PTFE
4	Bushing	1	AISI 304 stainless steel "gas marked"

DIMENSIONS

A	R	B	C
16	1/2"	49	35
20	1/2"	50	35
20	3/4"	50	35
26	3/4"	52	43

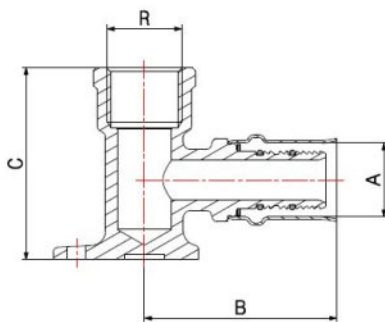
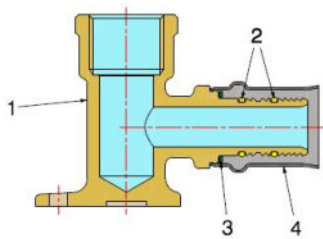
PACKAGING

	16 - 1/2"	20 - 1/2"	20 - 3/4"	26 - 3/4"
CODE	44531654	44532054	44532056	44532656
PCS BAG	10	10	10	5
PCS CARTON	200	150	100	80

HOMEGAS PRESS FITTINGS FOR PEX-AL-PEX PIPES

FEMALE FLANGED ELBOW FITTING

4454



- Female flanged elbow press fitting for gas
- Maximum operating pressure MOP 0,5 BAR
- Thread UNI EN 10226-1
- Temperature range min -20°C - max +70°C
- Manufactured according to UNI/TS11344
- The jaws to be used for the pressing are **TH** profile.

The fitting is particularly suitable for the distribution of natural gas and GPL at low pressure.

The fields of application can be the installation of new plants or replacing existing ones. Sealing is ensured by two O-Rings in NBR with yellow teflon, approved according to UNI EN 682/06 and DVGW EN 549.

The pressing of the steel sleeve ensures a perfect and indivisible grafting to the pipe and a good resistance to external stresses.



COMPONENTS

POS.	PART NAME	N°	MATERIAL
1	Fitting	1	CW617N UNI-EN 12165
2	O-Ring	2	NBR UNI-EN 682/06 - DVGW EN 549
3	Washer	1	PTFE
4	Bushing	1	AISI 304 stainless steel "gas marked"

DIMENSIONS

A	R	B	C
16	1/2"	49	53
20	1/2"	53	53

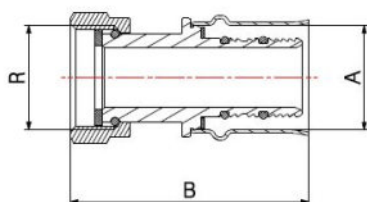
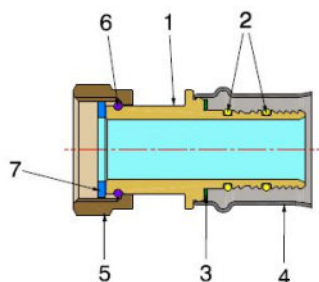
PACKAGING

	16 - 1/2"	20 - 1/2"
CODE	44541654	44542054
PCS BAG	5	5
PCS CARTON	80	60

HOMEGAS PRESS FITTINGS FOR PEX-AL-PEX PIPES

STRAIGHT FITTING WITH SWIVEL NUT

4406



- Straight press fitting with swivel nut for gas
- Maximum operating pressure MOP 0,5 BAR
- Thread ISO 228
- Temperature range min -20°C - max +70°C
- Manufactured according to UNI/TS11344
- The jaws to be used for the pressing are **TH** profile.

The fitting is particularly suitable for the distribution of natural gas and GPL at low pressure.

The fields of application can be the installation of new plants or replacing existing ones. Sealing is ensured by two O-Rings in NBR with yellow teflon, approved according to UNI EN 682/06 and DVGW EN 549.

The pressing of the steel sleeve ensures a perfect and indivisible grafting to the pipe and a good resistance to external stresses.



COMPONENTS

POS.	PART NAME	N°	MATERIAL
1	Fitting	1	CW617N UNI-EN 12164
2	O-Ring	2	NBR UNI-EN 682/06 - DVGW EN 549
3	Washer	1	PTFE
4	Bushing	1	AISI 304 stainless steel "gas marked"
5	Nut	1	CW617N UNI-EN 12165
6	Elastic ring	1	Stainless steel
7	Gasket	1	Fasit Omnia

* Measurements without snap ring component

DIMENSIONS

A	R	B
16*	3/4"	56
20*	3/4"	56
26	3/4"	60

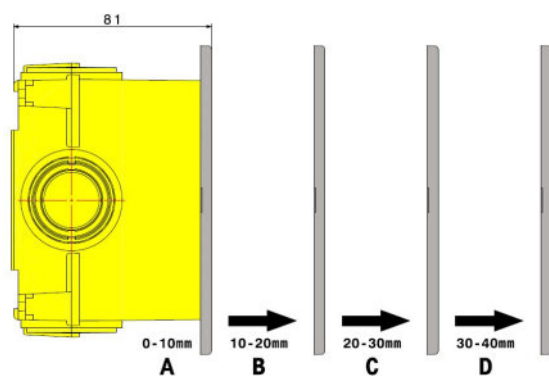
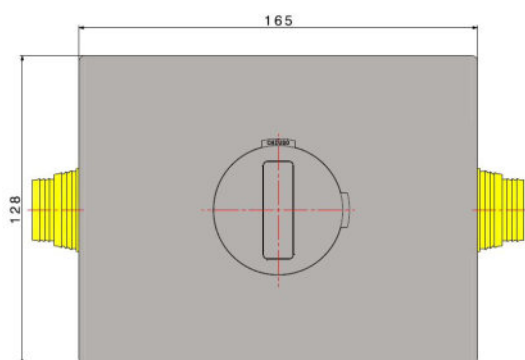
PACKAGING

	16 - 3/4"	20 - 3/4"	26 - 3/4"
CODE	44061606	44062006	44062606
PCS BAG	10	10	5
PCS CARTON	150	150	100

HOMEGAS BONOMI

1 WAY HOMEGAS BUILT-IN BOX

7941



HOMEGAS Bonomi can be installed in appliances with a net heat input not exceeding 35KW and it features a DN20 full bore valve for a flow that meets the client needs. HOMEGAS Bonomi combines practicality, design and safety.

Features:

- User interface with an innovative design, open/closed status indicated, reduced protrusion from wall, corresponding to 5mm
- Chrome-plated finishing
- Open/closed concealed control with safety device (push and turn) to avoid inadvertent operations
- Equipped with sheath sleeves for ventilation, adjustable to the measures: 16mm, 20 mm, 26 mm
- Equipped with a set of 4 extensions for valve operation that allows an installation with an in-wall depth up to 40mm (from the tile surface)

Installation :

- Standard installation with expansion joints
- Possibility of installing and regulating the in-wall depth on drywalls thanks to its specific bracket, accessory code 79390000XA
- Calipers to identify the correct extension to use according to the in-wall depth
- Plastic protection of components during installation phases
- Possibility to connect the valve to the PEX-AL-PEX pipe through the specific fitting, code 4406
- Possibility to connect the valve to the copper pipe through the specific fitting, code 7949

Maintenance:

- Easy access for valve maintenance/substitution, with no need for masonry work

COMPONENTS

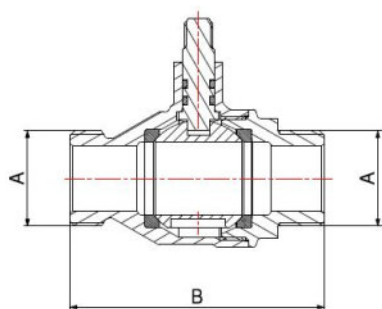
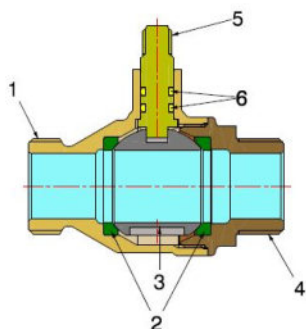
PART NAME	N°	MATERIAL
3/4" M/M Valve with 1 way	1	-
Knob	1	ABS chrome-plated
Extension	4	Plastic
Safety stop	1	Plastic
Frame	1	Plastic
Hose connection	2	Plastic
Box	1	Plastic
Chrome plate	1	ABS chrome-plated
Screw 3,5x32	4	Galvanised iron
Screw 3,5x50	8	Galvanised iron
Spring	2	AISI 302 stainless steel

HOMEGAS BONOMI

1 WAY M/M VALVE

7941

- Male/male ball valve 3/4" with 1 outlet
- ThreadISO 228
- Pressure class 0,5 bar (500 Mbar)
- Temperature range between min -20°C - max +70°C



COMPONENTS

POS.	PART NAME	N°	MATERIAL
1	Body	1	CW617N UNI-EN 12165
2	Seal	2	NBR 80 SH (EN 549)
3	Ball	1	CW617N UNI-EN 12165
4	End connection	1	CW617N UNI-EN 12165
5	Stem	1	CW617N UNI-EN 12164
6	O-ring	2	VITON®

DIMENSIONS

A	B
3/4"	71

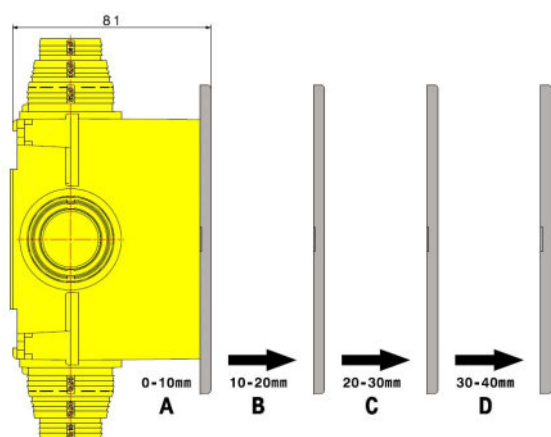
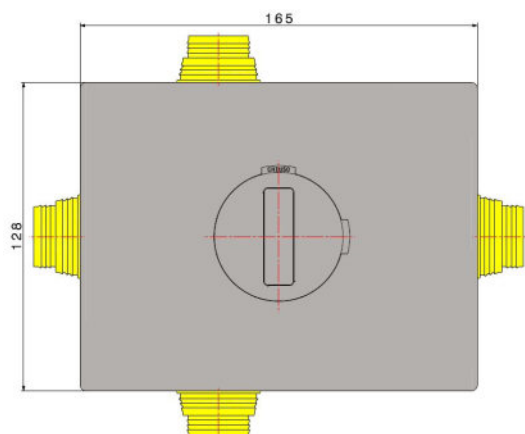
PACKAGING

	3/4"
CODE	79410000
PCS BOX	1
PCS CARTON	-

HOMEGAS BONOMI

3 WAY HOMEGAS BUILT-IN BOX

7940



HOMEGAS Bonomi can be installed in appliances with a net heat input not exceeding 35KW and it features a DN20 full bore valve for a flow that meets the client needs. HOMEGAS Bonomi combines practicality, design and safety.

Features:

- User interface with an innovative design, open/closed status indicated, reduced protrusion from wall, corresponding to 5mm
- Chrome-plated finishing
- Open/closed concealed control with safety device (push and turn) to avoid inadvertent operations
- Equipped with sheath sleeves for ventilation, adjustable to the measures: 16mm, 20 mm, 26 mm
- Equipped with a set of 4 extensions for valve operation that allows an installation with an in-wall depth up to 40mm (from the tile surface)

Installation :

- Standard installation with expansion joints
- Possibility of installing and regulating the in-wall depth on drywalls thanks to its specific bracket, accessory code 79390000XA
- Calipers to identify the correct extension to use according to the in-wall depth
- Plastic protection of components during installation phases
- Possibility to connect the valve to the PEX-AL-PEX pipe through the specific fitting, code 4406
- Possibility to connect the valve to the copper pipe through the specific fitting, code 7949

Maintenance:

- Easy access for valve maintenance/substitution, with no need for masonry work

COMPONENTS

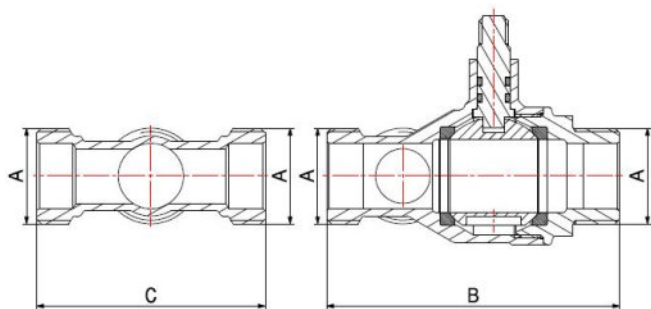
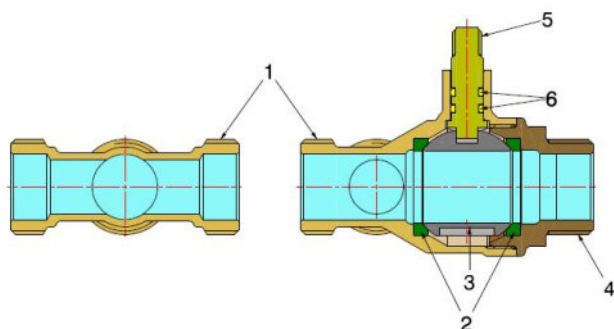
PART NAME	N°	MATERIAL
3/4" M/M valve with 3 ways	1	-
Knob	1	ABS chrome-plated
Extension	4	Plastic
Safety stop	1	Plastic
Frame	1	Plastic
Hose connection	4	Plastic
Box	1	Plastic
Chrome plate	1	ABS chrome-plated
Screw 3,5x32	4	Galvanised iron
Screw 3,5x50	8	Galvanised iron
Spring	2	AISI 302 stainless steel

HOMEGAS BONOMI

3 WAY M/M VALVE

7940

- Male/male ball valve 3/4" with 3 outlets
- Thread ISO 228
- Pressure class 0,5 bar (500 Mbar)
- Temperature range between min -20°C - max +70°C



COMPONENTS

POS.	PART NAME	N°	MATERIAL
1	Body	1	CW617N UNI-EN 12165
2	Seal	2	NBR 80 SH (EN 549)
3	Ball	1	CW617N UNI-EN 12165
4	End connection	1	CW617N UNI-EN 12165
5	Stem	1	CW617N UNI-EN 12164
6	O-Ring	2	VITON®

DIMENSIONS

A	B	C
3/4"	71	63

PACKAGING

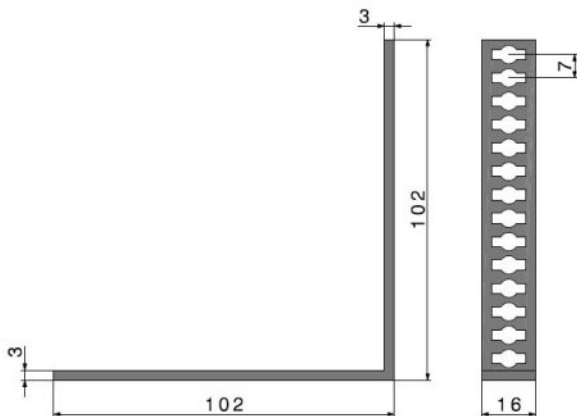
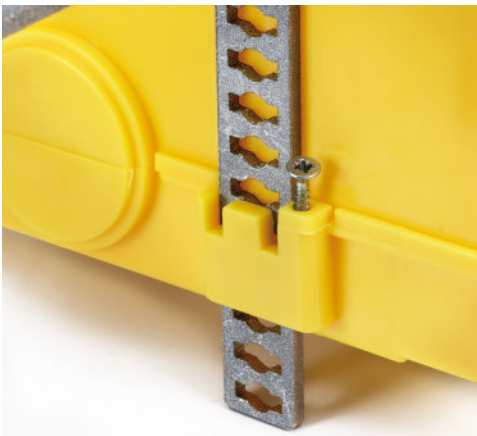
	3/4"
CODE	79400000
PCS BOX	1
PCS CARTON	-

ACCESSORIES

ANGLE BRACKET

79390000XA

- Iron zinc plated angle bracket with screw for Homegas box



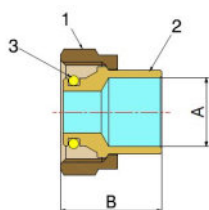
CODE

79390000XA

HOMEGAS PRESS FITTINGS FOR PEX-AL-PEX PIPES

WELDING CONNECTION

7949



- Welding connection for gas
- Maximum operating pressure MOP 0,5 BAR
- Thread ISO 228
- Temperature range min -20°C - max +70°C

COMPONENTS

POS.	PART NAME	N°	MATERIAL
1	Nut	1	CW617N UNI-EN 12165
2	Fitting	1	CW617N UNI-EN 12164
3	O-Ring	1	HNBR

DIMENSIONS

A	B
12	26
14	26
16	26
18	26

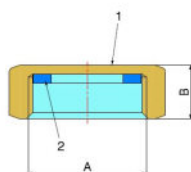
PACKAGING

	12	14	16	18
CODE	79491206	79491406	79491606	79491806
PCS BAG	5	5	5	5
PCS CARTON	-	-	-	-

ACCESSORIES

FEMALE CAP

7948



- Female cap with seal for gas
- Female thread ISO 228

COMPONENTS

POS.	PART NAME	N°	MATERIAL
1	Cap	1	CW617N UNI-EN 12165
2	Gasket	1	Fasit Omnia

DIMENSIONS

A	B
3/4"	12

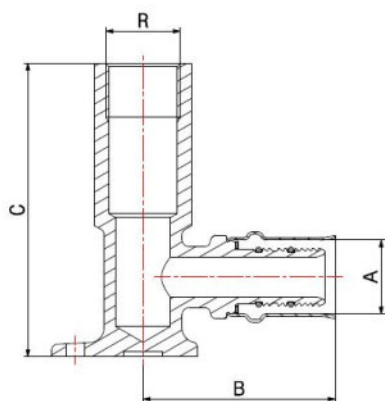
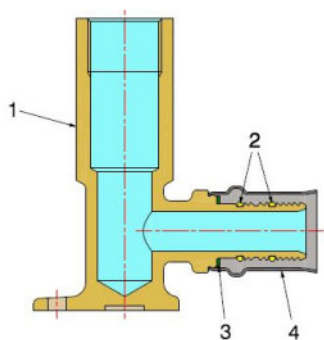
3/4"

CODE	79480006
-------------	-----------------

HOMEGAS PRESS FITTINGS FOR PEX-AL-PEX PIPES

FEMALE ELBOW FITTINGS

7942



- Female flanged elbow press fitting for gas
- Chrome-plated finishing
- Maximum operating pressure MOP 0,5 BAR
- Thread EN 10226-1
- Manufactured according to UNI/TS11344

COMPONENTS

POS.	PART NAME	N°	MATERIAL
1	Fitting	1	CW617N UNI-EN 12165 chrome-plated
2	O-Ring	2	NBR UNI-EN 682/06 - DVGW EN 549
3	Washer	1	PTFE
4	Bushing	1	AISI 304 stainless steel "gas marked"

DIMENSIONS

A	R	B	C
16	1/2"	53	81
20	1/2"	53	81

PACKAGING

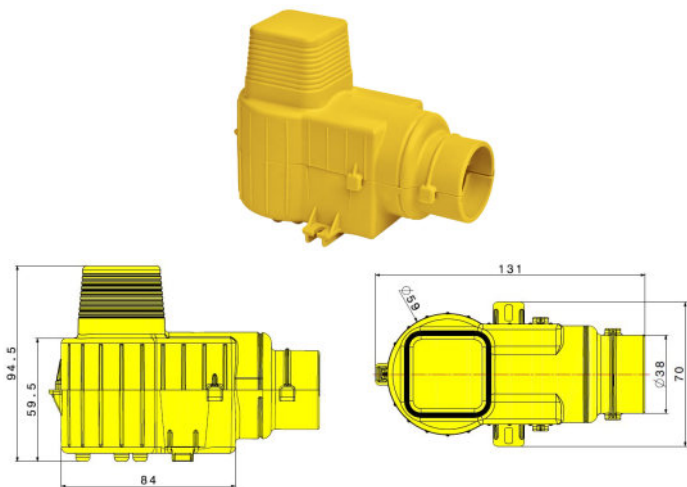
	16 - 1/2"	20 - 1/2"
CODE	79421604	79422004
PCS BAG	5	5
PCS CARTON	50	50

ACCESSORIES

JUNCTION BOX

79420000G

- Junction box for flanged elbow fittings for gas



CODE

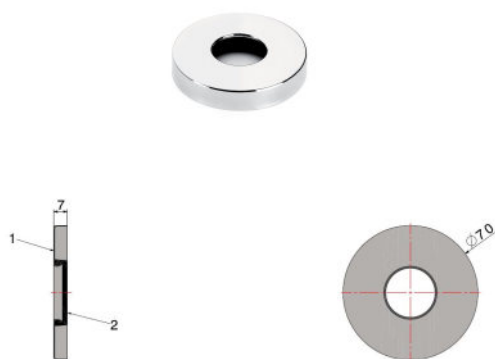
79420000G

ACCESSORIES

ROSETTE WITH SEAL

79420004XA

- Rosette with seal for junction box for gas



COMPONENTS

POS.	PART NAME	N°	MATERIAL
1	Rosette	1	Chrome-plated brass
2	Gasket	1	NBR

PACKAGING

CODE 79420004XA

PCS BAG 1

PCS CARTON 100

MOUNTING INSTRUCTIONS IDROFIT CONNECTORS FROM Ø 16 mm to Ø 32 mm



1 Cut perpendicularly the pipe with shears art.3812 avoiding to misshape it.



2 Gauge carefully the end of the pipe using the apposite calibrator-countersink art. 3813.



3 Verify the correct flare and eliminate the materials residues, those could damage the sealing O-Rings.



4 Insert the nut and the olive into the external pipe, make sure that the connector enter to the pipe till to touch the dielectrical washer.
Avoid to use damaged fittings.



5 Screw the union nut.



6 Tighten the nut with the key that fits properly, according to the torque specified below.



7 Pipe perfectly assembled to the connector.



To facilitate insertion of the fitting use only silicon lubricants

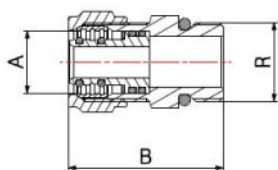
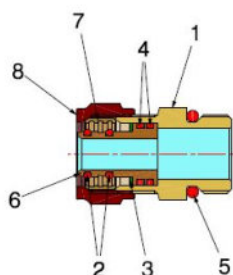
RECOMMENDED TORQUE:

	CONNECTION Ø 16	CONNECTION Ø 18	CONNECTION Ø 20	CONNECTION Ø 26	CONNECTION Ø 32
Nm	30	40	55	65	80

COMPRESSION FITTINGS FOR PEX-AL-PEX PIPES

MALE STRAIGHT FITTING

3891



- Male straight compression fitting with O-Ring
- Thread ISO 228
- Maximum operating pressure 10 bar
- Temperature range min 0°C - max +95°C

Fitting suitable for distributing fluids that are generally non-corrosive, compatibly with the fitting materials. Heating, plumbing and industrial systems are the ideal fields of application, such as high and low temperature heating systems, air-conditioning and distribution of drinking water.

The fitting features an external clamping nut to ensure a perfect crimping to the pipe and an excellent resistance to external stress.

COMPONENTS

POS.	PART NAME	N°	MATERIAL
1	Fitting	1	CW617N UNI-EN 12164 nickel-plated
2	O-Ring	2	EPDM Perox
3	Washer	1	PTFE
4	O-Ring	2	EPDM Perox
5	O-Ring (16x3)	1	EPDM Perox
6	Hose-end	1	CW617N UNI-EN 12164
7	Ogive	1	CW617N UNI-EN 12164
8	Nut	1	CW617N UNI-EN 12165 nickel-plated

DIMENSIONS

A	R	B
16x2	1/2"	41

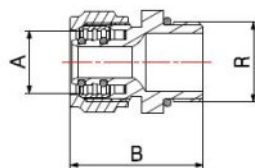
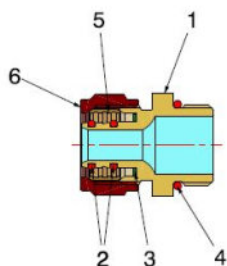
PACKAGING

	16 - 1/2"
CODE	38911604
PCS BAG	10
PCS CARTON	250

COMPRESSION FITTINGS FOR PEX-AL-PEX PIPES

MALE STRAIGHT FITTING

3892



- Male straight compression fitting with O-Ring
- Thread ISO 228
- Maximum operating pressure: 10 bar
- Temperature range min 0°C - max +95°C

Fitting suitable for distributing fluids that are generally non-corrosive, compatibly with the fitting materials. Heating, plumbing and industrial systems are the ideal fields of application, such as high and low temperature heating systems, air-conditioning and distribution of drinking water.

The fitting features an external clamping nut to ensure a perfect crimping to the pipe and an excellent resistance to external stress.

COMPONENTS

POS.	PART NAME	N°	MATERIAL
1	Fitting	1	CW617N UNI-EN 12164 nickel-plated
2	O-Ring	2	EPDM Perox
3	Washer	1	PTFE
4	O-Ring (18,77x1,78)	2	EPDM Perox
5	Ogive	1	CW617N UNI-EN 12164
6	Nut	1	CW617N UNI-EN 12165 nickel-plated

DIMENSIONS

A	R	B
16x2	1/2"	38
20x2	1/2"	41

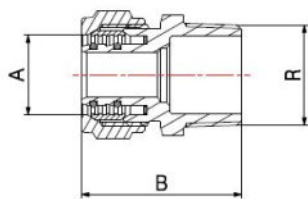
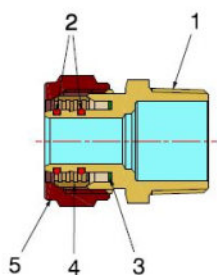
PACKAGING

	16 - 1/2"	20 - 1/2"
CODE	38921604	38922004
PCS BAG	10	10
PCS CARTON	250	150

COMPRESSION FITTINGS FOR PEX-AL-PEX PIPES

MALE STRAIGHT FITTING

3901



- Male straight compression fitting
- Thread EN 10226-1
- Maximum operating pressure 10 bar
- Temperature range min 0°C - max +95°C

Fitting suitable for distributing fluids that are generally non-corrosive, compatibly with the fitting materials. Heating, plumbing and industrial systems are the ideal fields of application, such as high and low temperature heating systems, HVAC, air-conditioning and distribution of drinking water.

The fitting features an external clamping nut to ensure a perfect crimping to the pipe and an excellent resistance to external stress.

COMPONENTS

POS.	PART NAME	N°	MATERIAL
1	Fitting	1	CW617N UNI-EN 12165 (hot pressed) nickel-plated - CW617N UNI-EN 12164 (from bar) nickel-plated
2	O-Ring	2	EPDM Perox
3	Washer	1	PTFE
4	Ogive	1	CW617N UNI-EN 12164
5	Nut	1	CW617N UNI-EN 12165 nickel-plated

DIMENSIONS

A	R	B
16x2	3/8"	34
16x2	1/2"	38
16x2	3/4"	39
18x2	1/2"	37,5
18x2	3/4"	40,5
20x2	1/2"	41
20x2	3/4"	41,5
26x3	3/4"	48,5
26x3	1"	51
32x3	1"	59

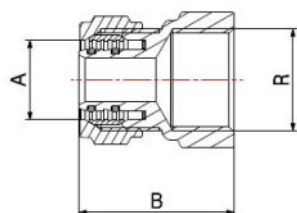
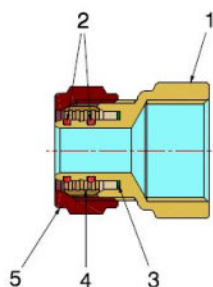
PACKAGING

	16 - 3/8"	16 - 1/2"	16 - 3/4"	18 - 1/2"	18 - 3/4"	20 - 1/2"	20 - 3/4"	26 - 3/4"	26 - 1"	32 - 1"
CODE	39011603	39011604	39011606	39011804	39011806	39012004	39012006	39012606	39012608	39013208
PCS BAG	10	10	10	10	10	10	10	5	5	5
PCS CARTON	250	250	200	200	150	150	150	100	100	50

COMPRESSION FITTINGS FOR PEX-AL-PEX PIPES

FEMALE STRAIGHT FITTING

3902



- Female straight compression fitting
- Thread EN 10226-1
- Maximum operating pressure 10 bar
- Temperature range min 0°C - max +95°C

Fitting suitable for distributing fluids that are generally non-corrosive, compatibly with the fitting materials. Heating, plumbing and industrial systems are the ideal fields of application, such as high and low temperature heating systems, HVAC, air-conditioning and distribution of drinking water.

The fitting features an external clamping nut to ensure a perfect crimping to the pipe and an excellent resistance to external stress.

COMPONENTS

POS.	PART NAME	N°	MATERIAL
1	Fitting	1	CW617N UNI-EN 12165 nickel-plated
2	O-Ring	2	EPDM Perox
3	Washer	1	PTFE
4	Ogive	1	CW617N UNI-EN 12164
5	Nut	1	CW617N UNI-EN 12165 nickel-plated

DIMENSIONS

A	R	B
16x2	1/2"	37
16x2	3/4"	39,5
18x2	1/2"	35
18x2	3/4"	37
20x2	1/2"	37,5
20x2	3/4"	40
26x3	3/4"	41
26x3	1"	45,5
32x3	1"	50

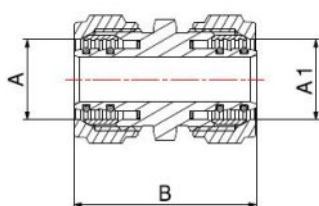
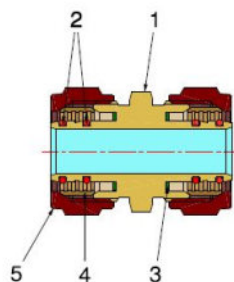
PACKAGING

	16 - 1/2"	16 - 3/4"	18 - 1/2"	18 - 3/4"	20 - 1/2"	20 - 3/4"	26 - 3/4"	26 - 1"	32 - 1"
CODE	39021604	39021606	39021804	39021806	39022004	39022006	39022606	39022608	39023208
PCS BAG	10	10	10	10	10	10	5	5	5
PCS CARTON	200	180	200	150	150	150	100	80	50

COMPRESSION FITTINGS FOR PEX-AL-PEX PIPES

INTERMEDIATE STRAIGHT FITTING

3903



- Intermediate straight fitting
- Maximum operating pressure 10 bar
- Temperature range min 0°C - max +95°C

Fitting suitable for distributing fluids that are generally non-corrosive, compatibly with the fitting materials. Heating, plumbing and industrial systems are the ideal fields of application, such as high and low temperature heating systems, HVAC, air-conditioning and distribution of drinking water. The fitting features an external clamping nut to ensure a perfect crimping to the pipe and an excellent resistance to external stress.

COMPONENTS

POS.	PART NAME	N°	MATERIAL
1	Fitting	1	CW617N UNI-EN 12165 (hot pressed) nickel-plated - CW617N UNI-EN 12164 (from bar) nickel-plated
2	O-Ring	4	EPDM Perox
3	Washer	2	PTFE
4	Ogive	2	CW617N UNI-EN 12164
5	Nut	2	CW617N UNI-EN 12165 nickel-plated

DIMENSIONS

A	A1	B
16x2	16x2	42
18x2	18x2	46
20x2	16x2	47
20x2	20x2	52
26x3	16x2	53
26x3	26x3	58
32x3	32x3	75

PACKAGING

	16 - 16	18 - 18	20 - 16	20 - 20	26 - 16	26 - 26	32 - 32
CODE	39031616	39031818	39032016	39032020	39032616	39032626	39033232
PCS BAG	10	10	10	10	5	5	2
PCS CARTON	200	150	100	120	70	70	30

COMPRESSION FITTINGS FOR PEX-AL-PEX PIPES

CAP FITTING

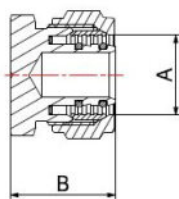
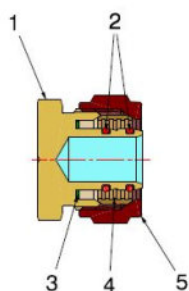
3909



- Cap compression fitting for 16x2 pipe installation test
- Maximum operating pressure 10 bar
- Temperature range min 0°C - max +95°C

Fitting suitable for distributing fluids that are generally non-corrosive, compatibly with the fitting materials. Heating, plumbing and industrial systems are the ideal fields of application, such as high and low temperature heating systems, HVAC, air-conditioning and distribution of drinking water.

The fitting features an external clamping nut to ensure a perfect crimping to the pipe and an excellent resistance to external stress.



COMPONENTS

POS.	PART NAME	N°	MATERIAL
1	Fitting	1	CW617N UNI-EN 12164 nickel-plated
2	O-Ring	2	EPDM Perox
3	Washer	1	PTFE
4	Ogive	1	CW617N UNI-EN 12164
5	Nut	1	CW617N UNI-EN 12165 nickel-plated

DIMENSIONS

A	B
16x2	25
20x2	27

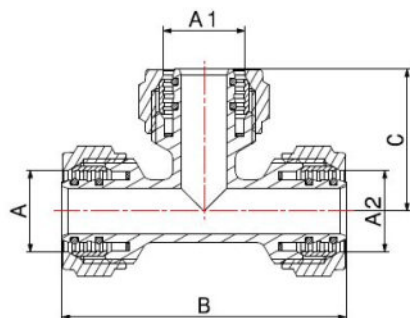
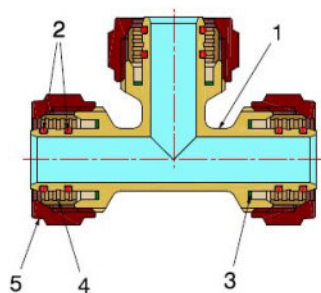
PACKAGING

	16	20
CODE	39091600	39092000
PCS BAG	10	10
PCS CARTON	250	200

COMPRESSION FITTINGS FOR PEX-AL-PEX PIPES

INTERMEDIATE TEE FITTING

3931



- Intermediate tee compression fitting
- Maximum operating pressure 10 bar
- Temperature range min 0°C - max +95°C

Fitting suitable for distributing fluids that are generally non-corrosive, compatibly with the fitting materials. Heating, plumbing and industrial systems are the ideal fields of application, such as high and low temperature heating systems, HVAC, air-conditioning and distribution of drinking water.

The fitting features an external clamping nut to ensure a perfect crimping to the pipe and an excellent resistance to external stress.

COMPONENTS

POS.	PART NAME	N°	MATERIAL
1	Fitting	1	CW617N UNI-EN 12165 nickel-plated
2	O-Ring	6	EPDM Perox
3	Washer	3	PTFE
4	Ogive	3	CW617N UNI-EN 12164
5	Nut	3	CW617N UNI-EN 12165 nickel-plated

DIMENSIONS

A	A1	A2	B	C
16x2	16x2	16x2	61	30,5
18x2	16x2	18x2	76	37
18x2	18x2	18x2	76	39
20x2	16x2	16x2	65	34,5
20x2	16x2	20x2	69	34,5
20x2	20x2	16x2	69	36
20x2	20x2	20x2	72	36

FOLLOWING THE DIMENSIONS FROM 26 TO 32

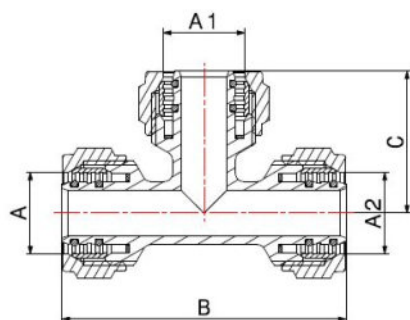
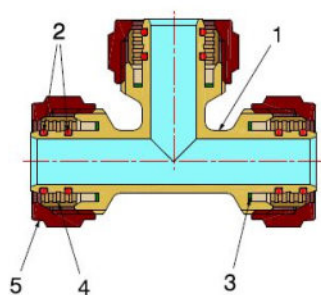
PACKAGING

	16 - 16 - 16	18 - 16 - 18	18 - 18 - 18	20 - 16 - 16	20 - 16 - 20	20 - 20 - 16	20 - 20 - 20
CODE	3931161616	3931181618	3931181818	3931201616	3931201620	3931202016	3931202020
PCS BAG	10	5	5	5	5	5	5
PCS CARTON	100	70	70	70	70	70	50

COMPRESSION FITTINGS FOR PEX-AL-PEX PIPES

INTERMEDIATE TEE FITTING

3931



- Intermediate tee compression fitting
- Maximum operating pressure 10 bar
- Temperature range min 0°C - max +95°C

Fitting suitable for distributing fluids that are generally non-corrosive, compatibly with the fitting materials. Heating, plumbing and industrial systems are the ideal fields of application, such as high and low temperature heating systems, HVAC, air-conditioning and distribution of drinking water.

The fitting features an external clamping nut to ensure a perfect crimping to the pipe and an excellent resistance to external stress.

COMPONENTS

POS.	PART NAME	N°	MATERIAL
1	Fitting	1	CW617N UNI-EN 12165 nickel-plated
2	O-Ring	6	EPDM Perox
3	Washer	3	PTFE
4	Ogive	3	CW617N UNI-EN 12164
5	Nut	3	CW617N UNI-EN 12165 nickel-plated

DIMENSIONS

A	A1	A2	B	C
26x3	20x2	20x2	78	37
26x3	20x2	26x3	82	37
26x3	26x3	20x2	78	41
26x3	26x3	26x3	82	41
32x3	32x3	32x3	110	55

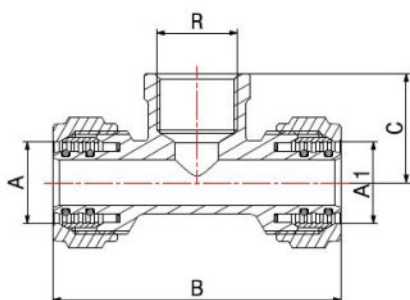
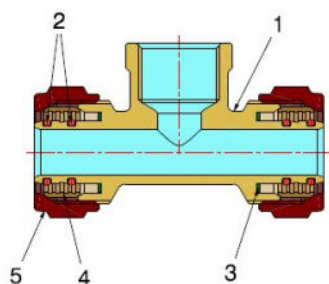
PACKAGING

	26 - 20 - 20	26 - 20 - 26	26 - 26 - 20	26 - 26 - 26	32 - 32 - 32
CODE	3931262020	3931262026	3931262620	3931262626	3931323232
PCS BAG	5	5	5	5	2
PCS CARTON	40	40	40	40	20

COMPRESSION FITTINGS FOR PEX-AL-PEX PIPES

FEMALE TEE FITTING

3932



- Female tee compression fitting
- Thread EN 10226-1
- Maximum operating pressure 10 bar
- Temperature range min 0°C - max +95°C

Fitting suitable for distributing fluids that are generally non-corrosive, compatibly with the fitting materials. Heating, plumbing and industrial systems are the ideal fields of application, such as high and low temperature heating systems, HVAC, air-conditioning and distribution of drinking water. The fitting features an external clamping nut to ensure a perfect crimping to the pipe and an excellent resistance to external stress.

COMPONENTS

POS.	PART NAME	N°	MATERIAL
1	Fitting	1	CW617N UNI-EN 12165 nickel-plated
2	O-Ring	4	EPDM Perox
3	Washer	2	PTFE
4	Ogive	2	CW617N UNI-EN 12164
5	Nut	2	CW617N UNI-EN 12165 nickel-plated

DIMENSIONS

A	R	A1	C	C
16x2	1/2"	16x2	65,5	25
18x2	1/2"	18x2	76	35
20x2	1/2"	20x2	73	27,5
20x2	3/4"	20x2	79	27,5
26x3	3/4"	26x3	81	31
26x3	1"	26x3	85	33
32x3	1"	32x3	105	37,5

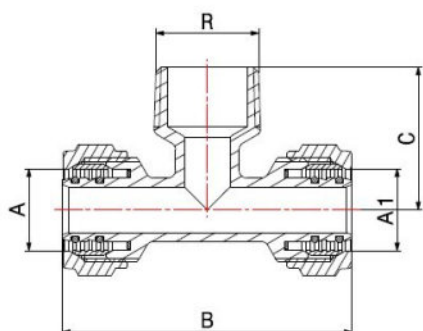
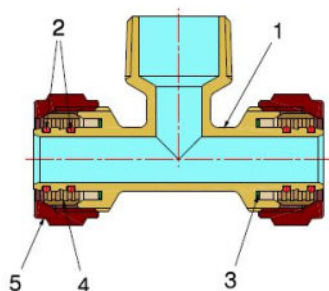
PACKAGING

	16 - 1/2" - 16	18 - 1/2" - 18	20 - 1/2" - 20	20 - 3/4" - 20	26 - 3/4" - 26	26 - 1" - 26	32 - 1" - 32
CODE	3932160416	3932180418	3932200420	3932200620	3932260626	3932260826	3932320832
PCS BAG	10	10	5	5	5	5	2
PCS CARTON	100	80	80	70	40	40	20

COMPRESSION FITTINGS FOR PEX-AL-PEX PIPES

MALE TEE FITTING

3933



- Male tee compression fitting
- Thread EN 10226-1
- Maximum operating pressure 10 bar
- Temperature range min 0°C - max +95°C

Fitting suitable for distributing fluids that are generally non-corrosive, compatibly with the fitting materials. Heating, plumbing and industrial systems are the ideal fields of application, such as high and low temperature heating systems, HVAC, air-conditioning and distribution of drinking water.

The fitting features an external clamping nut to ensure a perfect crimping to the pipe and an excellent resistance to external stress.

COMPONENTS

POS.	PART NAME	N°	MATERIAL
1	Fitting	1	CW617N UNI-EN 12165 nickel-plated
2	O-Ring	4	EPDM Perox
3	Washer	2	PTFE
4	Ogive	2	CW617N UNI-EN 12164
5	Nut	2	CW617N UNI-EN 12165 nickel-plated

DIMENSIONS

A	R	A1	B	C
16x2	1/2"	16x2	61	30
18x2	1/2"	18x2	76	30
20x2	1/2"	20x2	72	33
20x2	3/4"	20x2	72	36
26x2	3/4"	26x3	82	39
26x2	1"	26x3	82	41
32x2	1"	32x3	109	46

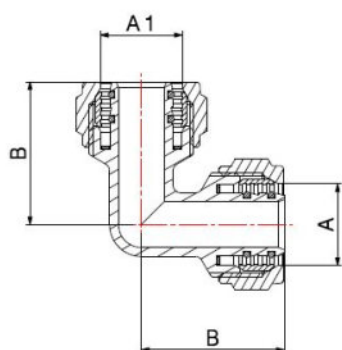
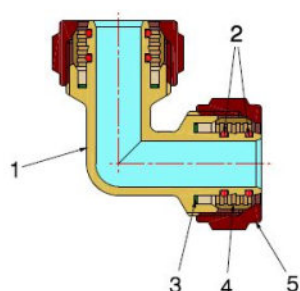
PACKAGING

	16 - 1/2" - 16	18 - 1/2" - 18	20 - 1/2" - 20	20 - 3/4" - 20	26 - 3/4" - 26	26 - 1" - 26	32 - 1" - 32
CODE	3933160416	3933180418	3933200420	3933200620	3933260626	3933260826	3933320832
PCS BAG	10	10	5	5	5	5	2
PCS CARTON	100	80	80	70	40	40	20

COMPRESSION FITTINGS FOR PEX-AL-PEX PIPES

INTERMEDIATE ELBOW FITTING

3951



- Intermediate elbow compression fitting
- Maximum operating pressure 10 bar
- Temperature range min 0°C - max +95°C

Fitting suitable for distributing fluids that are generally non-corrosive, compatibly with the fitting materials. Heating, plumbing and industrial systems are the ideal fields of application, such as high and low temperature heating systems, HVAC, air-conditioning and distribution of drinking water.

The fitting features an external clamping nut to ensure a perfect crimping to the pipe and an excellent resistance to external stress.

COMPONENTS

POS.	PART NAME	N°	MATERIAL
1	Fitting	1	CW617N UNI-EN 12165 nickel-plated
2	O-Ring	4	EPDM Perox
3	Washer	2	PTFE
4	Ogive	2	CW617N UNI-EN 12164
5	Nut	2	CW617N UNI-EN 12165 nickel-plated

DIMENSIONS

A	A1	B
16x2	16x2	31
18x2	18x2	39
20x2	20x2	36
26x3	26x3	41
32x3	32x3	55

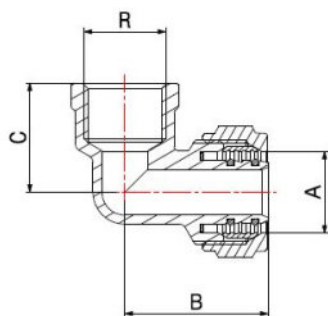
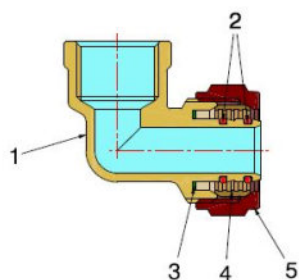
PACKAGING

	16 - 16	18 - 18	20 - 20	26 - 26	32 - 32
CODE	39511616	39511818	39512020	39512626	39513232
PCS BAG	10	10	5	5	2
PCS CARTON	160	100	100	50	30

COMPRESSION FITTINGS FOR PEX-AL-PEX PIPES

FEMALE ELBOW FITTING

3952



- Female elbow compression fitting
- Thread EN 10226-1
- Maximum operating pressure 10 bar
- Temperature range min 0°C - max +95°C

Fitting suitable for distributing fluids that are generally non-corrosive, compatibly with the fitting materials. Heating, plumbing and industrial systems are the ideal fields of application, such as high and low temperature heating systems, HVAC, air-conditioning and distribution of drinking water. The fitting features an external clamping nut to ensure a perfect crimping to the pipe and an excellent resistance to external stress.

COMPONENTS

POS.	PART NAME	N°	MATERIAL
1	Fitting	1	CW617N UNI-EN 12165 nickel-plated
2	O-Ring	2	EPDM Perox
3	Washer	1	PTFE
4	Ogive	1	CW617N UNI-EN 12164
5	Nut	1	CW617N UNI-EN 12165 nickel-plated

DIMENSIONS

A	R	B	C
16x2	1/2"	33	25
16x2	3/4"	38	28
18x2	1/2"	37	28
18x2	3/4"	39	32
20x2	1/2"	36	28
20x2	3/4"	40	28
26x3	3/4"	41	31
26x3	1"	43	33
32x3	1"	53	38

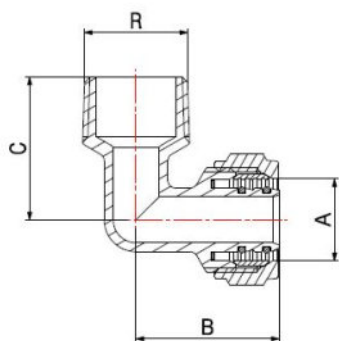
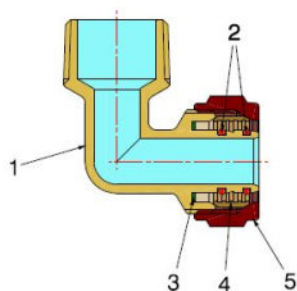
PACKAGING

	16 - 1/2"	16 - 3/4"	18 - 1/2"	18 - 3/4"	20 - 1/2"	20 - 3/4"	26 - 3/4"	26 - 1"	32 - 1"
CODE	39521604	39521606	39521804	39521806	39522004	39522006	39522606	39522608	39523208
PCS BAG	10	10	10	10	10	10	5	5	2
PCS CARTON	160	120	140	120	140	100	70	60	30

COMPRESSION FITTINGS FOR PEX-AL-PEX PIPES

MALE ELBOW FITTING

3953



- Male elbow compression fitting
- Thread EN 10226-1
- Maximum operating pressure 10 bar
- Temperature range min 0°C - max +95°C

Fitting suitable for distributing fluids that are generally non-corrosive, compatibly with the fitting materials. Heating, plumbing and industrial systems are the ideal fields of application, such as high and low temperature heating systems, HVAC, air-conditioning and distribution of drinking water. The fitting features an external clamping nut to ensure a perfect crimping to the pipe and an excellent resistance to external stress.

COMPONENTS

POS.	PART NAME	N°	MATERIAL
1	Fitting	1	CW617N UNI-EN 12165 nickel-plated
2	O-Ring	2	EPDM Perox
3	Washer	1	PTFE
4	Ogive	1	CW617N UNI-EN 12164
5	Nut	1	CW617N UNI-EN 12165 nickel-plated

DIMENSIONS

A	R	B	C
16x2	1/2"	31	30
16x2	3/4"	33	33
18x2	1/2"	38	39
18x2	3/4"	39	35
20x2	1/2"	36	33
20x2	3/4"	36	36
26x3	3/4"	41	39
26x3	1"	41	41
32x3	1"	55	45,5

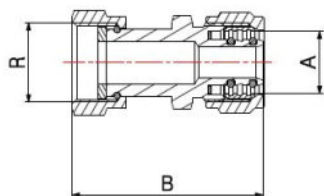
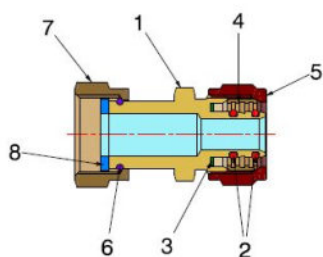
PACKAGING

	16 - 1/2"	16 - 3/4"	18 - 1/2"	18 - 3/4"	20 - 1/2"	20 - 3/4"	26 - 3/4"	26 - 1"	32 - 1"
CODE	39531604	39531606	39531804	39531806	39532004	39532006	39532606	39532608	39533208
PCS BAG	10	10	10	10	10	10	5	5	2
PCS CARTON	200	120	140	120	140	120	80	70	30

COMPRESSION FITTINGS FOR PEX-AL-PEX PIPES

STRAIGHT COMPRESSION FITTING WITH SWIVEL NUT

3906



- Straight compression fitting with swivel nut
- Thread ISO 228
- Maximum operating pressure 10 bar
- Temperature range min 0°C - max +95°C

Fitting suitable for distributing fluids that are generally non-corrosive, compatibly with the fitting materials. Heating, plumbing and industrial systems are the ideal fields of application, such as high and low temperature heating systems, HVAC, air-conditioning and distribution of drinking water. The fitting features an external clamping nut to ensure a perfect crimping to the pipe and an excellent resistance to external stress.

COMPONENTS

POS.	PART NAME	N°	MATERIAL
1	Fitting	1	CW617N UNI-EN 12165 nickel-plated
2	O-Ring	2	EPDM Perox
3	Washer	1	PTFE
4	Ogive	1	CW617N UNI-EN 12164
5	Nut	1	CW617N UNI-EN 12165 nickel-plated
6	Elastic ring	1	Stainless steel
7	Nut	1	CW617N UNI-EN 12164 nickel-plated
8	Gasket	1	Fasit Omnia

DIMENSIONS

A	R	B
16x2	1/2"	50

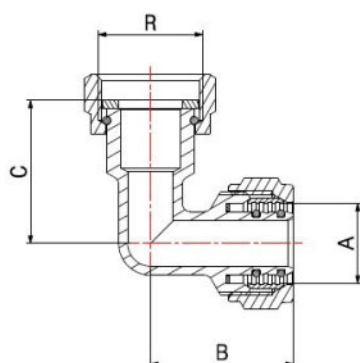
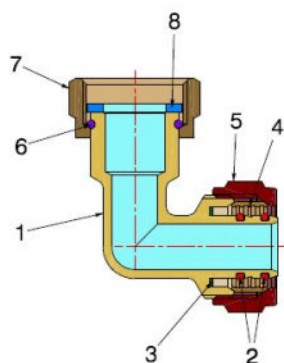
PACKAGING

	16 - 1/2"
CODE	39061604
PCS BAG	20
PCS CARTON	200

COMPRESSION FITTINGS FOR PEX-AL-PEX PIPES

ELBOW COMPRESSION FITTING WITH SWIVEL NUT

3956



- Elbow compression fitting with swivel nut
- Thread ISO 228
- Maximum operating pressure 10 bar
- Temperature range min 0°C - max +95°C

Fitting suitable for distributing fluids that are generally non-corrosive, compatibly with the fitting materials. Heating, plumbing and industrial systems are the ideal fields of application, such as high and low temperature heating systems, HVAC, air-conditioning and distribution of drinking water. The fitting features an external clamping nut to ensure a perfect crimping to the pipe and an excellent resistance to external stress.

COMPONENTS

POS.	DESCRIZIONE	N°	MATERIALE
1	Fitting	1	CW617N UNI-EN 12164 nickel-plated
2	O-Ring	2	EPDM Perox
3	Washer	1	PTFE
4	Ogive	1	CW617N UNI-EN 12164
5	Nut	1	CW617N UNI-EN 12165 nickel-plated
6	Elastic ring	1	Stainless steel
7	Nut	1	CW617N UNI-EN 12164 nickel-plated
8	Gasket	1	Fasit Omnia

DIMENSIONS

A	R	B	C
16x2	1/2"	31	32
20x2	3/4"	36	36
26x3	1"	41	42

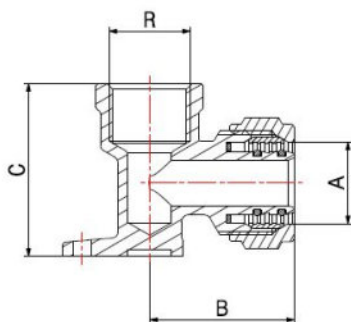
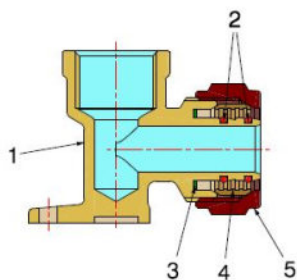
PACKAGING

	16 - 1/2"	20 - 3/4"	26 - 1"
CODE	39561604	39562006	39562608
PCS BAG	15	10	5
PCS CARTON	150	100	50

COMPRESSION FITTINGS FOR PEX-AL-PEX PIPES

FEMALE ELBOW FITTING

3954



- Female flanged elbow compression fitting
- Thread EN 10226-1
- Maximum operating pressure 10 bar
- Temperature range min 0°C - max +95°C

Fitting suitable for distributing fluids that are generally non-corrosive, compatibly with the fitting materials. Heating, plumbing and industrial systems are the ideal fields of application, such as high and low temperature heating systems, HVAC, air-conditioning and distribution of drinking water. The fitting features an external clamping nut to ensure a perfect crimping to the pipe and an excellent resistance to external stress.

COMPONENTS

POS.	PART NAME	N°	MATERIAL
1	Fitting	1	CW617N UNI-EN 12165 nickel-plated
2	O-Ring	2	EPDM Perox
3	Washer	1	PTFE
4	Ogive	1	CW617N UNI-EN 12164
5	Nut	1	CW617N UNI-EN 12165 nickel-plated

DIMENSIONS

A	R	B	C
16x2	1/2"	32	41
16x2	3/4"	37	45
18x2	1/2"	37	47
18x2	3/4"	39	50
20x2	1/2"	37	44
20x2	3/4"	40	46

PACKAGING

	16 - 1/2"	16 - 3/4"	18 - 1/2"	18 - 3/4"	20 - 1/2"	20 - 3/4"
CODE	39541604	39541606	39541804	39541806	39542004	39542006
PCS BAG	10	5	10	5	10	5
PCS CARTON	100	70	80	70	80	70

COMPRESSION FITTINGS FOR PEX-AL-PEX PIPES

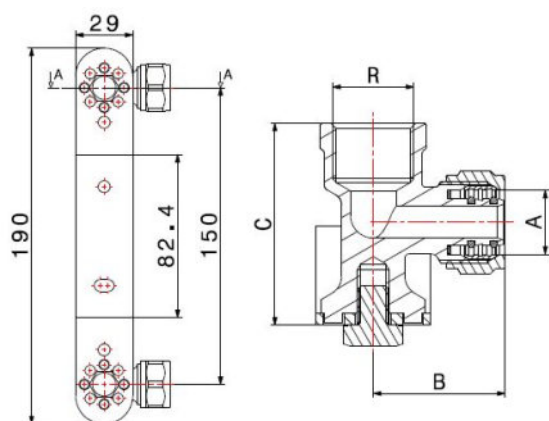
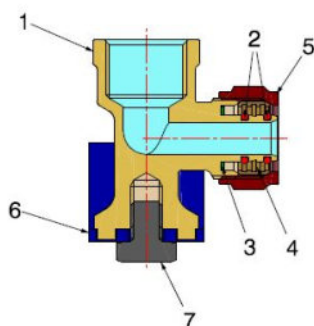
FITTING WITH SHAPED FIXED BRACKET

3924



- Compression fittings with perforated shaped fixed pipe bracket
- Thread EN 10226-1
- Maximum operating pressure 10 bar
- Temperature range min 0°C - max 95°C

Fitting suitable for distributing fluids that are generally non-corrosive, compatibly with the fitting materials. Heating, plumbing and industrial systems are the ideal fields of application, such as high and low temperature heating systems, HVAC, air-conditioning and distribution of drinking water. The fitting features an external clamping nut to ensure a perfect crimping to the pipe and an excellent resistance to external stress.



COMPONENTS

POS.	PART NAME	N°	MATERIAL
1	Fitting	2	CW617N UNI-EN 12165 nickel-plated
2	O-Ring	4	EPDM Perox
3	Washer	2	PTFE
4	Ogjive	2	CW614N UNI-EN 12164
5	Nut	2	CW617N UNI-EN 12165 nickel-plated
6	Spacer pipe clip	1	Galvanised iron
7	Screw	2	Galvanised iron

DIMENSIONS

A	R	B	C
16x2	1/2"	33	51

PACKAGING

	16 - 1/2"
CODE	39241604
PCS BAG	-
PCS CARTON	25

COMPRESSION FITTINGS FOR PEX-AL-PEX PIPES

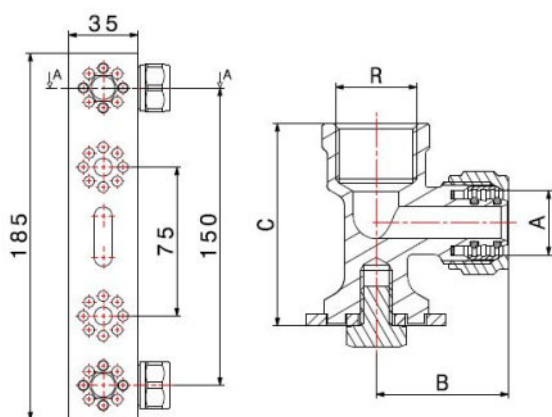
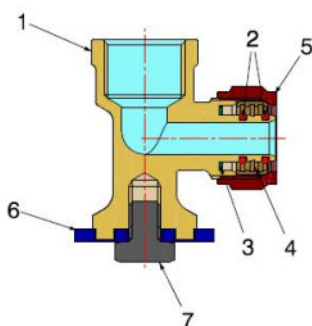
FITTING WITH FIXED BRACKET

3904



- Compression fittings with perforated fixed pipe bracket
- Thread EN 10226-1
- Maximum operating pressure 10 bar
- Temperature range min 0°C - max 95°C

Fitting suitable for distributing fluids that are generally non-corrosive, compatibly with the fitting materials. Heating, plumbing and industrial systems are the ideal fields of application, such as high and low temperature heating systems, HVAC, air-conditioning and distribution of drinking water. The fitting features an external clamping nut to ensure a perfect crimping to the pipe and an excellent resistance to external stress.



COMPONENTS

POS.	PART NAME	N°	MATERIAL
1	Fitting	2	CW617N UNI-EN 12165 nickel-plated
2	O-Ring	4	EPDM Perox
3	Washer	2	PTFE
4	Ogive	2	CW617N UNI-EN 12164
5	Nut	2	CW617N UNI-EN 12165 nickel-plated
6	Spacer pipe clip	1	Galvanised iron
7	Screw	2	Galvanised iron

DIMENSIONS

A	R	B	C
16x2	1/2"	33	51

PACKAGING

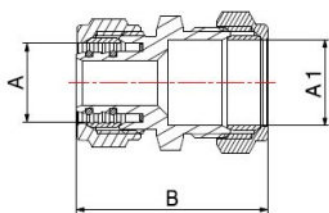
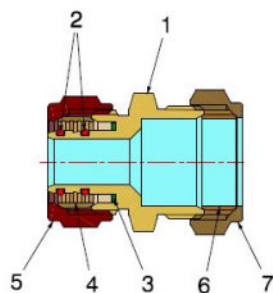
	16 - 1/2"
CODE	39041604
PCS BAG	-
PCS CARTON	25

COMPRESSION FITTINGS FOR PEX-AL-PEX PIPES

STRAIGHT TRANSITION

FITTING

3907



- Intermediate straight compression fitting with compression end
- Maximum operating pressure 10 bar
- Temperature range min 0°C - max +95°C

Fitting suitable for distributing fluids that are generally non-corrosive, compatibly with the fitting materials. Heating, plumbing and industrial systems are the ideal fields of application, such as high and low temperature heating systems, HVAC, air-conditioning and distribution of drinking water. The fitting features an external clamping nut to ensure a perfect crimping to the pipe and an excellent resistance to external stress.

COMPONENTS

POS.	PART NAME	N°	MATERIAL
1	Fitting	1	CW617N UNI-EN 12165 (hot pressed) nickel-plated - CW617N UNI-EN 12164 (from bar) nickel-plated
2	O-Ring	2	EPDM Perox
3	Washer	1	PTFE
4	Ogive	1	CW617N UNI-EN 12164
5	Nut	1	CW617N UNI-EN 12165 nickel-plated
6	Ogive	1	CW508L
7	Nut	1	CW617N UNI-EN 12165 nickel-plated

DIMENSIONS

A (Pex-Al-Pex)	A1 (Tu-Cu)	B
16x2	15	36
20x2	22	41
26x3	22	50

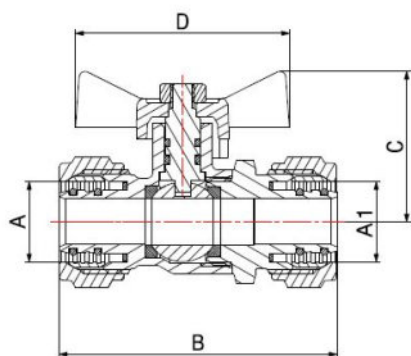
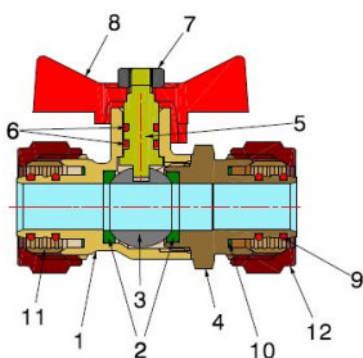
PACKAGING

	16 - 15	20 - 22	26 - 22
CODE	39071666	39072069	39072669
PCS BAG	10	10	5
PCS CARTON	200	100	50

COMPRESSION FITTINGS FOR PEX-AL-PEX PIPES

BALL VALVE

8640



- Ball valve with compression ends and T handle
- Maximum operating pressure 10 bar
- Temperature range between min 0°C - max +95°C

Valve suitable for distributing and interrupting fluids that are generally non-corrosive, compatibly with the valve materials. Heating, plumbing and industrial systems are the ideal fields of application, such as high and low temperature heating systems, HVAC, air-conditioning and water distribution.

The ball seal is guaranteed by two PTFE seats.

The operating mechanism seal features two O-Rings with an internally installed stem and anti-ejection system.

It is advisable to carry out a complete maneuver cycle at least once every three months in order to prevent limescale deposits that could compromise the valve functioning.

COMPONENTS

POS.	PART NAME	N°	MATERIAL
1	Body	1	CW617N UNI-EN 12165 nickel-plated
2	Seal	2	PTFE
3	Ball	1	CW617N UNI-EN 12164 chrome-plated
4	End connection	1	CW617N UNI-EN 12164 nickel-plated
5	Stem	1	CW617N UNI-EN 12164
6	O-Ring stem	2	EPDM Perox
7	Nut	1	Galvanised iron
8	"T" handle	1	Lacquered alluminium
9	O-Ring	4	EPDM Perox
10	Washer	2	PTFE
11	Ogive	2	CW617N UNI-EN 12164
12	Nut	2	CW617N UNI-EN 12165 nickel-plated

DIMENSIONS

A	A1	B	C	D
16x2	16x2	65	36	54
20x2	20x2	70	38	54

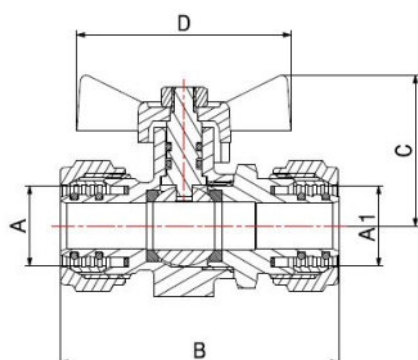
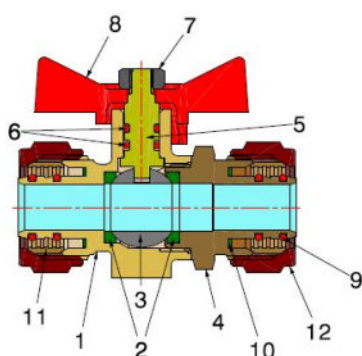
PACKAGING

	16 - 16	20 - 20
CODE	86401616	86402020
PCS BOX	20	15
PCS CARTON	200	150

COMPRESSION FITTINGS FOR PEX-AL-PEX PIPES

BALL VALVE

8643



- Flanged ball valve with compression ends and T handle
- Maximum operating pressure 10 bar
- Temperature range between min 0°C - max +95°C

Valve suitable for distributing and interrupting fluids that are generally non-corrosive, compatibly with the valve materials. Heating, plumbing and industrial systems are the ideal fields of application, such as high and low temperature heating systems, HVAC, air-conditioning and water distribution.

The ball seal is guaranteed by two PTFE seats.

The operating mechanism seal features two O-Rings with an internally installed stem and anti-ejection system.

It is advisable to carry out a complete maneuver cycle at least once every three months in order to prevent limescale deposits that could compromise the valve functioning.

COMPONENTS

POS.	PART NAME	N°	MATERIAL
1	Body	1	CW617N UNI-EN 12165 nickel-plated
2	Seal	2	PTFE
3	Ball	1	CW617N UNI-EN 12164 chrome-plated
4	End connection	1	CW617N UNI-EN 12164 nickel-plated
5	Stem	1	CW617N UNI-EN 12164
6	O-Ring stem	2	EPDM Perox
7	Nut	1	Galvanised iron
8	"T" handle	1	Lacquered alluminium
9	O-Ring	4	EPDM Perox
10	Washer	2	PTFE
11	Ogive	2	CW617N UNI-EN 12164
12	Nut	2	CW617N UNI-EN 12165 nickel-plated

DIMENSIONS

A	A1	B	C	D
16x2	16x2	65	36	54
20x2	20x2	70	38	54

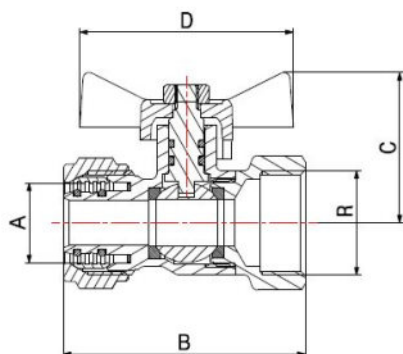
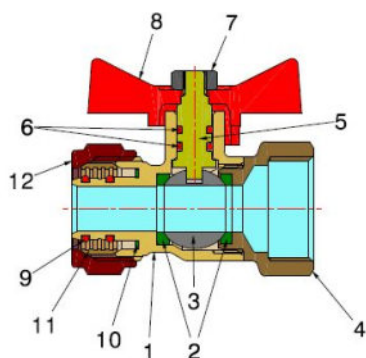
PACKAGING

	16 - 16	20 - 20
CODE	86431616	86432020
PCS BOX	20	15
PCS CARTON	200	150

COMPRESSION FITTINGS FOR PEX-AL-PEX PIPES

FEMALE BALL VALVE

8641



- Female ball valve with compression end and T handle
- Thread ISO 228
- Maximum operating pressure 10 bar
- Temperature range between min 0°C - max +95°C

Valve suitable for distributing and interrupting fluids that are generally non-corrosive, compatibly with the valve materials. Heating, plumbing and industrial systems are the ideal fields of application, such as high and low temperature heating systems, HVAC, air-conditioning and water distribution.

The ball seal is guaranteed by two PTFE seats.

The operating mechanism seal features two O-Rings with an internally installed stem and anti-ejection system.

It is advisable to carry out a complete maneuver cycle at least once every three months in order to prevent limescale deposits that could compromise the valve functioning.

COMPONENTS

POS.	PART NAME	N°	MATERIAL
1	Body	1	CW617N UNI-EN 12165 nickel-plated
2	Seal	2	PTFE
3	Ball	1	CW617N UNI-EN 12164 chrome-plated
4	End connection	1	CW617N UNI-EN 12164 nickel-plated
5	Stem	1	CW617N UNI-EN 12164
6	O-Ring stem	2	EPDM Perox
7	Nut	1	Galvanised iron
8	"T" handle	1	Lacquered alluminium
9	O-Ring	2	EPDM Perox
10	Washer	1	PTFE
11	Ogive	1	CW617N UNI-EN 12164
12	Nut	1	CW617N UNI-EN 12165 nickel-plated

DIMENSIONS

A	A1	B	C	D
16x2	1/2"	55	36	54
20x2	3/4"	61	38	54

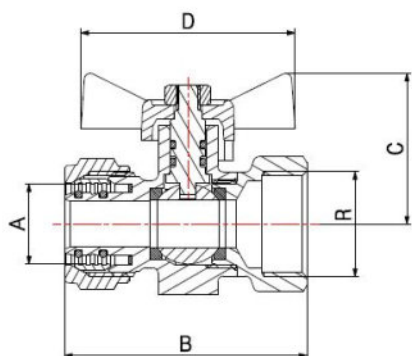
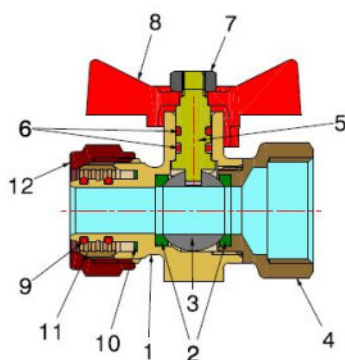
PACKAGING

	16 - 1/2"	20 - 3/4"
CODE	86411604	86412006
PCS BOX	20	15
PCS CARTON	200	150

COMPRESSION FITTINGS FOR PEX-AL-PEX PIPES

FEMALE BALL VALVE

8644



- Flanged female ball valve with compression end and T handle
- Thread ISO 228
- Maximum operating pressure 10 bar
- Temperature range between min 0°C - max +95°C

Valve suitable for distributing and interrupting fluids that are generally non-corrosive, compatibly with the valve materials. Heating, plumbing and industrial systems are the ideal fields of application, such as high and low temperature heating systems, HVAC, air-conditioning and water distribution.

The ball seal is guaranteed by two PTFE seats.

The operating mechanism seal features two O-Rings with an internally installed stem and anti-ejection system.

It is advisable to carry out a complete maneuver cycle at least once every three months in order to prevent limescale deposits that could compromise the valve functioning.

COMPONENTS

POS.	PART NAME	N°	MATERIAL
1	Body	1	CW617N UNI-EN 12165 nickel-plated
2	Seal	2	PTFE
3	Ball	1	CW617N UNI-EN 12164 chrome-plated
4	End connection	1	CW617N UNI-EN 12164 nickel-plated
5	Stem	1	CW617N UNI-EN 12164
6	O-Ring stem	2	EPDM Perox
7	Nut	1	Galvanised iron
8	"T" handle	1	Lacquered alluminium
9	O-Ring	2	EPDM Perox
10	Washer	1	PTFE
11	Ogive	1	CW617N UNI-EN 12164
12	Nut	1	CW617N UNI-EN 12165 nickel-plated

DIMENSIONS

A	A1	B	C	D
16x2	1/2"	55	36	54
20x2	3/4"	61	38	54

PACKAGING

	16 - 1/2"	20 - 3/4"
CODE	86441604	86442006
PCS BOX	20	15
PCS CARTON	200	150

COMPRESSION FITTINGS FOR PEX-AL-PEX PIPES

ANGLE BALL VALVE WITH COMPRESSION END

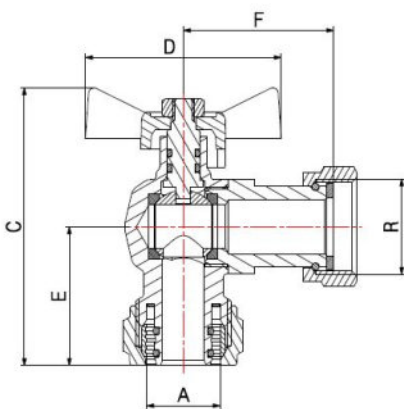
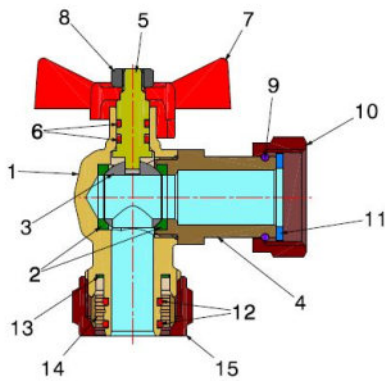
8646



- Angle compression ball valve with swivel nut and T handle
- Maximum operating pressure of 10 bar
- Temperature range between min 0°C - max +95°C

Valve suitable for distributing and interrupting fluids that are generally non-corrosive, compatibly with the valve materials. Heating, plumbing and industrial systems are the ideal fields of application, such as high and low temperature heating systems, HVAC, air-conditioning and water distribution. The ball seal is guaranteed by two PTFE seats. The operating mechanism seal features two O-Rings with an internally installed stem and anti-ejection system.

It is advisable to carry out a complete maneuver cycle at least once every three months in order to prevent limescale deposits that could compromise the valve functioning.



COMPONENTS

POS.	PART NAME	N°	MATERIAL
1	Body	1	CW617N UNI-EN 12165 nickel-plated
2	Seal	2	PTFE
3	Ball	1	CW617N UNI-EN 12164 chrome-plated
4	End connection	1	CW617N UNI-EN 12164 nickel-plated
5	Stem	1	CW617N UNI-EN 12164
6	O-Ring	2	EPDM Perox
7	Handle	1	Lacquered aluminium
8	Nut	1	Galvanised iron
9	Elastic ring	1	Stainless steel
10	Nut	1	CW617N UNI-EN 12165 nickel-plated
11	Gasket	1	Fasit Omnia
12	O-Ring	2	EPDM Perox
13	Washer	1	PTFE
14	Ogive	1	CW617N UNI-EN 12164
15	Nut	1	CW617N UNI-EN 12165 nickel-plated

DIMENSIONS

A	R	C	D	E	F
20x2	3/4"	77	54	38,5	40
26x3	1"	82	54	43,5	42

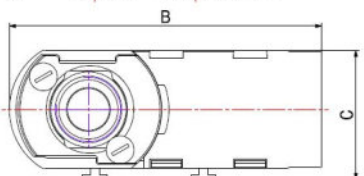
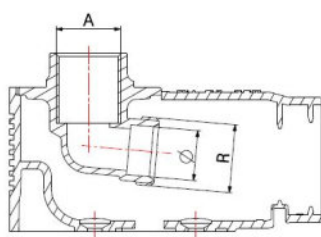
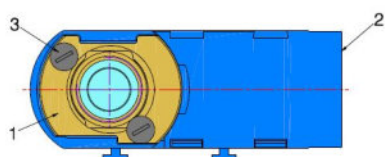
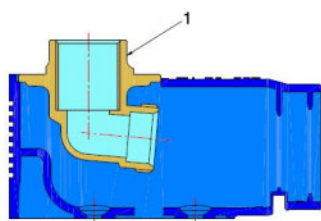
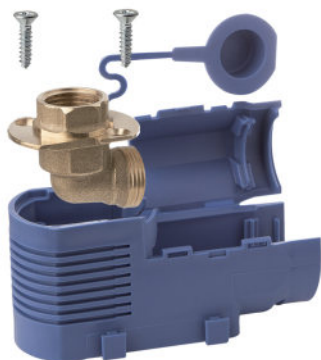
PACKAGING

	20 - 3/4"	26 - 1"
CODE	86462006R	86462608R
PCS BOX	10	8
PCS CARTON	100	80

COMPRESSION FITTINGS FOR PEX-AL-PEX PIPES

EXTRACTABLE DHW FITTING 1/2" F – M 22X1,5

9640



- Extractable DHW fitting, 1/2" F - M22x1,5
- Thread female ISO 228 and METRIC
- Maximum operating pressure 10 bar
- Temperature range min 0°C - max +95°C
- Protection cover
- Modular assembly
- Mounting on bracket or with dowels

COMPONENTS

POS.	PART NAME	N°	MATERIAL
1	Fitting	1	CW617N UNI-EN 12165
2	Box	1	Plastic
3	Screw	2	Galvanised iron

DIMENSIONS

A	R	Ø	B	C
1/2"	M22x1,5	16	101	42

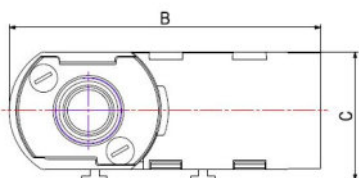
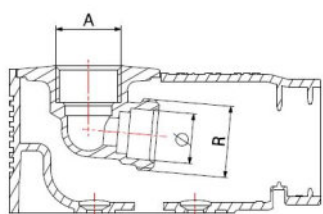
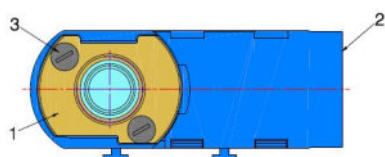
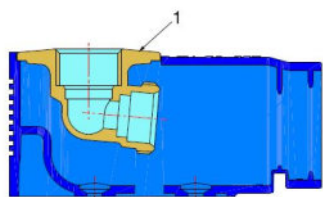
PACKAGING

	1/2" - M22x1,5
CODE	96400004
PCS BOX	1
PCS CARTON	30

COMPRESSION FITTINGS FOR PEX-AL-PEX PIPES

EXTRACTABLE DHW FITTING 1/2" F – M 22X1,5

9641



- Extractable DHW fitting, 1/2" F - M22x1,5
- Thread female ISO 228
- Thread male M22x1,5
- Maximum operating pressure 10 bar
- Temperature range min 0°C - max +95°C
- Protection cover
- Modular assembly
- Mounting on bracket or with dowels

COMPONENTS

POS.	PART NAME	N°	MATERIAL
1	Fitting	1	CW617N UNI-EN 12165
2	Box	1	Plastic
3	Screw	2	Galvanised iron

DIMENSIONS

A	R	Ø	B	C
1/2"	M22x1,5	16	101	42

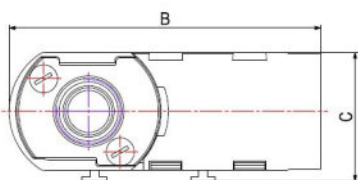
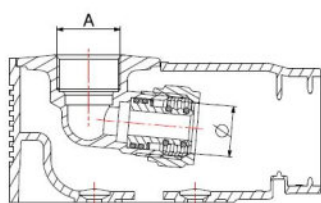
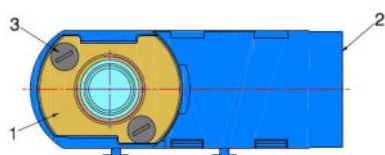
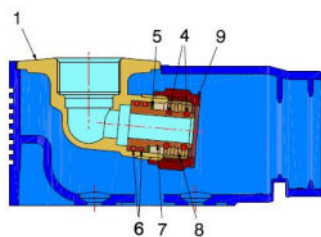
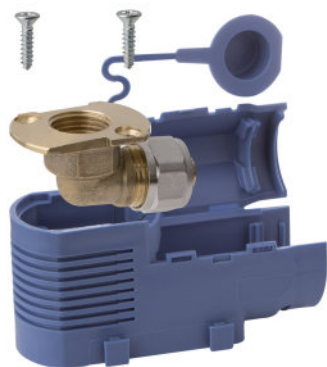
PACKAGING

	1/2" - M22x1,5
CODE	96410004
PCS BOX	1
PCS CARTON	30

COMPRESSION FITTINGS FOR PEX-AL-PEX PIPES

EXTRACTABLE DHW FITTING - 1/2" F - 16X2

9645



- Extractable DHW fitting - 1/2" F - 16x2
- Thread female ISO 228
- Maximum operating pressure 10 bar
- Temperature range min 0°C - max +95°C
- Protection cover
- Modular assembly
- Mounting on bracket or with dowels

COMPONENTS

POS.	PART NAME	N°	MATERIAL
1	Fitting	1	CW617N UNI-EN 12165
2	Box	1	Plastic
3	Screw	2	Galvanised iron
4	O-Ring	2	EPDM Perox
5	Washer	1	PTFE
6	O-Ring	2	EPDM Perox
7	Hose-end	1	CW617N UNI-EN 12164
8	Ogive	1	CW617N UNI-EN 12164
9	Nut	1	CW617N UNI-EN 12165

DIMENSIONS

A	Ø	B	C
1/2"	16x2	101	42

PACKAGING

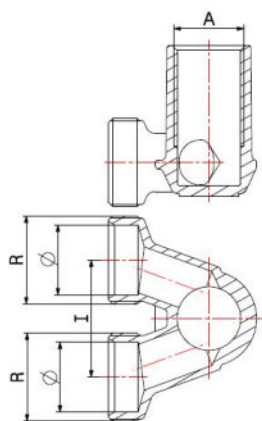
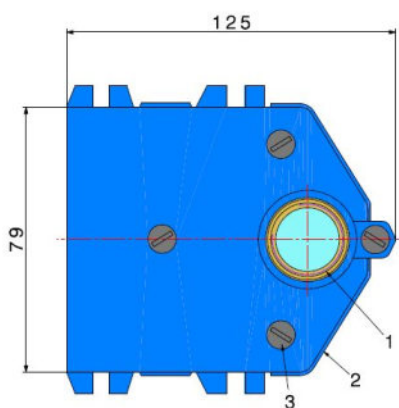
	16 - 1/2"
CODE	96450004
PCS BOX	1
PCS CARTON	30

COMPRESSION FITTINGS FOR PEX-AL-PEX PIPES

EXTRACTABLE DOUBLE FITTING 1/2" F – 3/4" M

9642

- Extractable dual fitting - 1/2" F - 3/4" M
- Thread ISO 228
- Maximum operating pressure 10 bar
- Temperature range min 0°C - max +95°C



COMPONENTS

POS.	PART NAME	N°	MATERIAL
1	Fitting	1	CW617N UNI-EN 12165
2	Box	1	Plastic
3	Screw	4	Galvanised iron

DIMENSIONS

A	R	Ø	I
1/2"	3/4"	20	35

PACKAGING

	1/2"
CODE	96420004
PCS BOX	1
PCS CARTON	32

COMPRESSION FITTINGS FOR PEX-AL-PEX PIPES

TOILET TANK VALVE

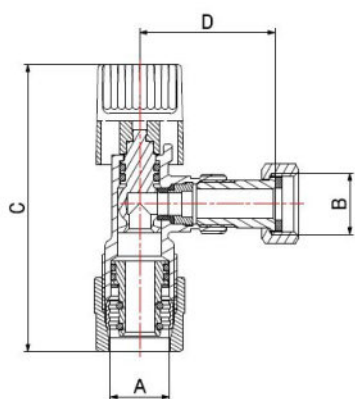
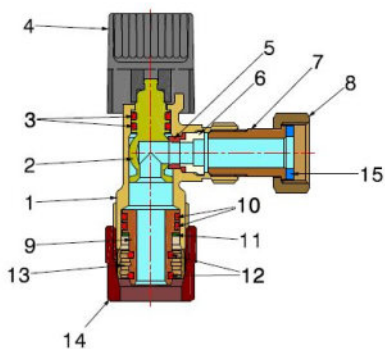
7668



- 3/8" Tank tap with PEX-AL-PEX 16 connection
- ISO 228 thread
- Maximum operating pressure 10 bar
- Temperature range min 0°C - max +95°C



Tap suitable for distributing, regulating and interrupting fluids that are generally non-corrosive, compatibly with the valve materials. Plumbing and heating systems are the ideal field of application, where it is used as shut-off tap before other appliances such as taps, mixers or toilet tanks. The seat tightness is guaranteed by a NBR seal.



COMPONENTS

POS.	PART NAME	N°	MATERIAL
1	Body	1	CW617N UNI-EN 12165 chrome-plated
2	Stem with ball	1	CW617N UNI-EN 12164
3	O-Ring	2	EPDM Perox
4	Handle	1	ABS chrome-plated
5	Shaped gasket	1	NBR
6	Snap seal	1	Nylon
7	Pipe	1	CW617N UNI-EN 12164 chrome-plated
8	Nut	1	CW617N UNI-EN 12164 chrome-plated
9	Hose-end	1	CW617N UNI-EN 12164
10	O-Ring	2	EPDM Perox
11	Washer	1	PTFE
12	O-Ring	2	EPDM Perox
13	Ogive	1	CW617N UNI-EN 12164
14	Nut	1	CW617N UNI-EN 12164 chrome-plated
15	Gasket	1	Fasit Omnia

DIMENSIONS

A	B	C	D	PN
16x2	3/8"	79	38	10

PACKAGING

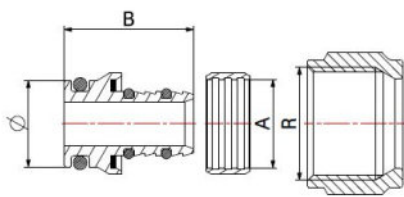
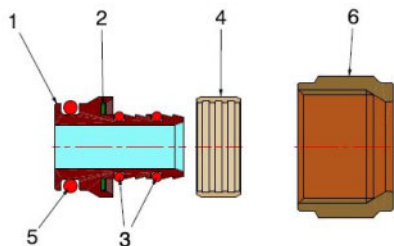
	16 - 3/8"
CODE	76681603
PCS BOX	1
PCS CARTON	100

ACCESSORIES

PIPE ADAPTOR

3980

- PEX-AL-PEX pipe adaptor
- Maximum nominal pressure 10 bar
- Temperature range min 0°C - max +95°C



COMPONENTS

POS.	PART NAME	N°	MATERIAL
1	Hose-end pipe	1	CW617N UNI-EN 12164
2	Washer	1	PTFE
3	O-Ring	2	EPDM Perox
4	Ogive	1	CW617N UNI-EN 12164
5	O-Ring	1	EPDM Perox
6	Nut	1	CW617N UNI-EN 12165 nickel-plated

DIMENSIONS

A	R	Ø	B
14x2	1/2"	16	24
14x2	24x19	18	23
16x2	1/2"	16	25
16x2	24x19	18	24
16x2	3/4"	18	25
18x2	24x19	18	26
18x2	3/4"	18	26
20x2	24x19	18	26
20x2	3/4"	18	28

DIMENSIONS - ARTICLES ON DEMAND

A	R	Ø	B
14x2	3/4"	18	24

PACKAGING

	14 - 1/2"	14 - 24x19	14 - 3/4"	16 - 1/2"	16 - 24x19	16 - 3/4"	18 - 24x19	18 - 3/4"	20 - 24x19	20 - 3/4"
CODE	39801404	39801405	39801406	39801604	39801605	39801606	39801805	39801806	39802005	39802006
PCS BAG	10	10	10	10	10	10	10	10	10	10
PCS CARTON	250	250	250	250	250	250	250	250	250	250

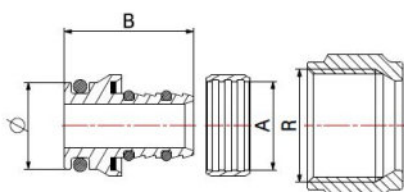
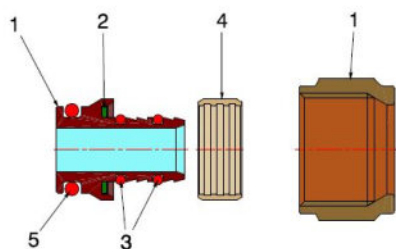
COMPRESSION FITTINGS FOR PEX-AL-PEX PIPES

EXTRA-THICK TUBE

ADAPTOR

3981

- Extra-thick pipe adaptor
- Maximum operating pressure 10 bar
- Temperature range min 0°C - max 95°C



COMPONENTS

POS.	PART NAME	N°	MATERIAL
1	Hose-end pipe	1	CW617N UNI-EN 12164
2	Washer	1	PTFE
3	O-Ring	2	EPDM Perox
4	Ogive	1	CW617N UNI-EN 12164
5	O-Ring	1	EPDM Perox
6	Nut	1	CW617N UNI-EN 12165 nickel-plated

DIMENSIONS

A	R	Ø	B
16x2,25	1/2"	18	24
16x2,25	24x19	18	25

PACKAGING

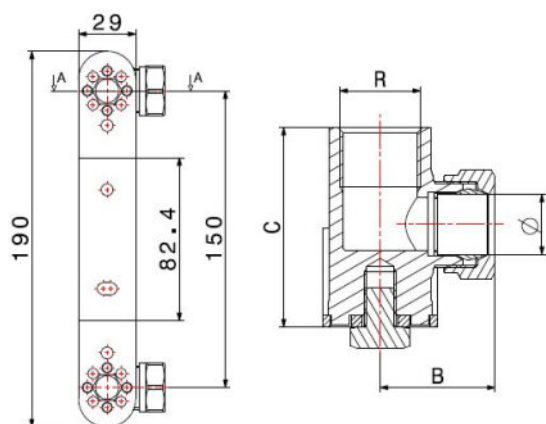
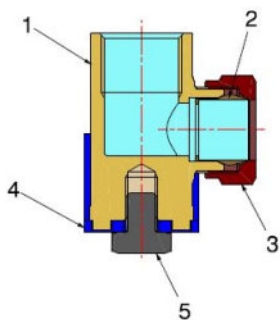
	16x2,25 - 1/2"	16x2,25 - 24x19
CODE	39811604	39811605
PCS BAG	10	10
PCS CARTON	250	250

COPPER PIPE FITTING

FITTING WITH FIXED BRACKET WITH SHAPED COPPER PIPE

9674

- Female/TuCu fitting with shaped fixed bracket
- Thread EN 10226-1
- Maximum operating pressure 10 bar



COMPONENTS

POS.	PART NAME	N°	MATERIAL
1	Fitting	2	CW617N UNI-EN 12165 nickel-plated
2	Ogive	2	CW508L UNI-EN 12449
3	Nut	2	CW617N UNI-EN 12165 nickel-plated
4	Spacer pipe clip	1	Galvanised iron
5	M8 screw	2	Galvanised iron

DIMENSIONS

R	Ø	B	C
1/2"	15	29	51

PACKAGING

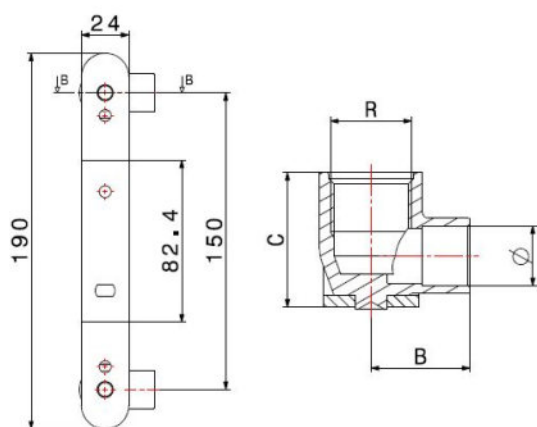
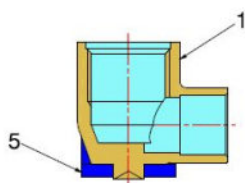
	15 - 1/2"
CODE	96741504
PCS BOX	-
PCS CARTON	25

COPPER PIPE FITTING

FITTING WITH FIXED BRACKET WITH SHAPED COPPER PIPE

9676

- Female/TuCu fitting with shaped fixed bracket
- Thread ISO 228
- Maximum operating pressure 10 bar



COMPONENTS

POS.	PART NAME	N°	MATERIAL
1	Fitting	2	CW617N UNI-EN 12165
2	Spacer pipe clip	1	Galvanised iron

DIMENSIONS

R	Ø	B	C
1/2"	15	25	34

PACKAGING

	15 - 1/2"
CODE	96761504
PCS BOX	6
PCS CARTON	60

ACCESSORIES

- Pressing tongs TH

PRESSING TONGS TH

3811



PACKAGING

	Ø14	Ø16	Ø18	Ø20	Ø26	Ø32	Ø40	Ø50	Ø63
CODE	38110014	38110016	38110018	38110020	38110026	38110032	38110040	38110050	38110063
PCS BOX	1	1	1	1	1	1	1	1	1
PCS CARTON	10	10	10	10	10	10	10	10	10

ACCESSORIES

- Cutter for pipe
- Code 38121040 for pipe from 10 to 40mm.
- Code 38121063 for pipe from 10 to 63mm.

CUTTER FOR PIPE

3812



PACKAGING

	from 10 to 40mm	from 10 to 63mm
CODE	38121040	38121063
PCS BOX	1	1
PCS CARTON	10	10

ACCESSORIES

DEBURRING-CALIBRATING TOOL

3813



- Deburring/Calibrating tool for pipe
- Code 38131632 pipe 16 - 20 - 26 - 32
- Code 38134063 pipe 40 - 50 - 63
- Code 38137500 pipe 75

PACKAGING

	16 - 20 - 26 - 32	40 - 50 - 63	75
CODE	38131632	38134063	38137500
PCS BOX	-	-	-
PCS CARTON	50	30	20

ACCESSORIES

PIPE PLUG GAUGE

38130000



- Universal pipe plug gauge

PACKAGING

	14 - 32
CODE	38130000
PCS BOX	-
PCS CARTON	200

ACCESSORIES

- Internal bending spring

INTERNAL SPRING

3814



PACKAGING

	16	18	20	26
CODE	38140016	38140018	38140020	38140026
PCS BOX	-	-	-	-
PCS CARTON	50	40	30	20

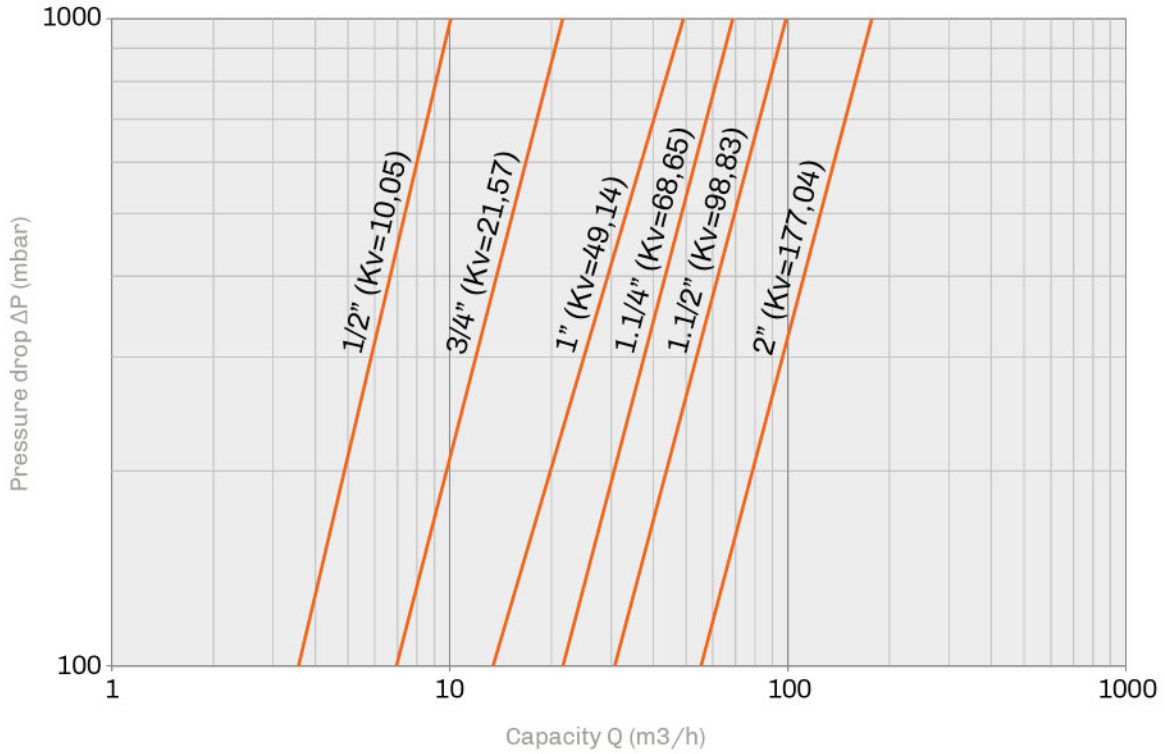


PRESSURE DROP CHART

VALID CHART FOR

795300 - 795402 - 796001 - 796402 - 795101 - 795102 -
795700 - 795701 - 795702 - 1300

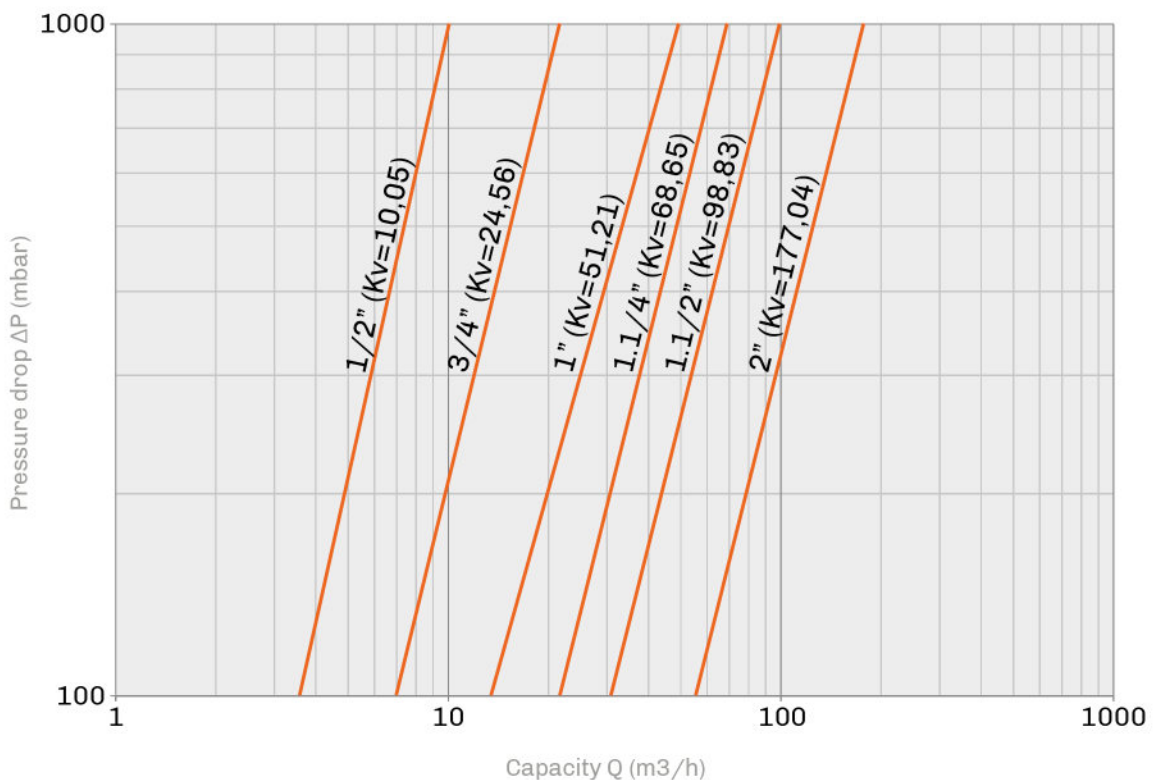
It is defined Kv the flow in m³/h of water at temperature of 15,5°C that causes a pressure drop of 1 bar: bigger is its value, less are the pressure drops.



VALID CHART FOR

760001 - 760002 - 760200 - 760501 - 760502 - 760700 -
760800 - 761502 - 761700 - 764502 - 764700

It is defined Kv the flow in m³/h of water at temperature of 15,5°C that causes a pressure drop of 1 bar: bigger is its value, less are the pressure drops.

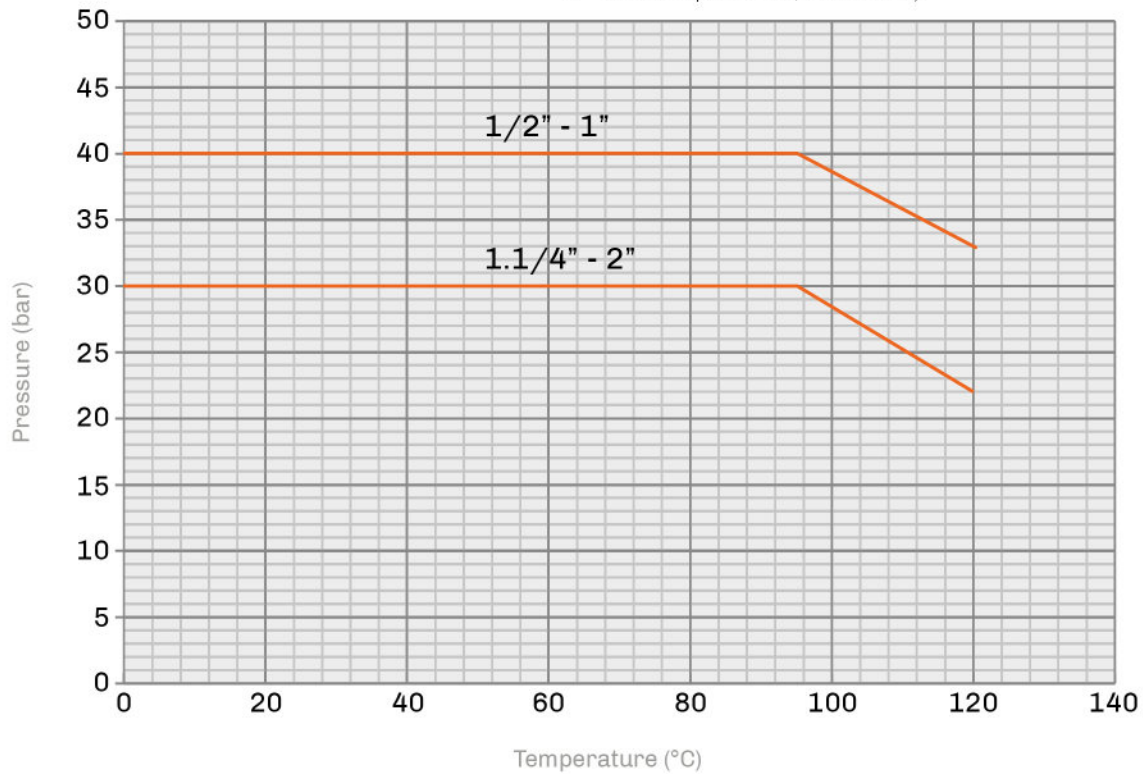


PRESSURE/TEMPERATURE CHART

VALID CHART FOR

796001 - 796402 - 796601

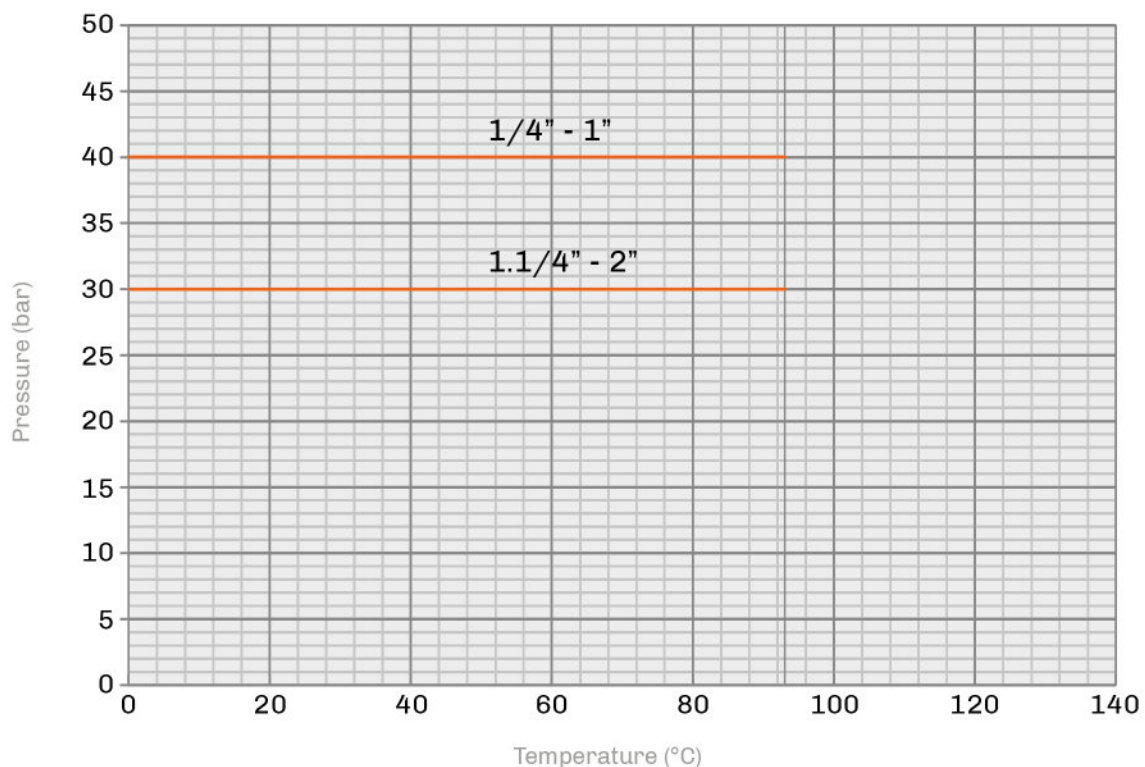
The diagram pressure temperature represents the limit of valve's application, the graphics have to be considered approximate, since the variables which occur during the utilization of the same (manouvre cycles, periodical or sudden alterations of pressure and temperature, fluid used).



VALID CHART FOR

**760001 - 760002 - 760200 - 760501 - 760502 - 760700 -
760800 - 764502 - 764700 - 795101 - 795102 - 795601 -
795700 - 795701 - 795702**

The diagram pressure temperature represents the limit of valve's application, the graphics have to be considered approximate, since the variables which occur during the utilization of the same (manouvre cycles, periodical or sudden alterations of pressure and temperature, fluid used).





00R	70 / 125	3627	144	3901	327
01R	71 / 126	3628	145	3902	328
01W	72	3630	147	3903	329
02R	69 / 125	3631	147	3904	342
1000	96	3635	146	3906	338
1010	94	3636	146	3907	343
1020	97	3660	213	3909	330
1030	95	3661	214	3924	341
1300	152	3671	240	3931	331
1900	212	3712	123	3932	333
1905	100	3725	193	3933	334
1905 brass filter	101	3727	184	3940	110
1920	99	3729	180	394000XA	111
2000	170	37290001	181	394011XA	111
2000 bronze filter	175	37290004XD	182	3951	335
2010	172	37290008	182	3952	336
2030	174	37290008XE	185	3953	337
2100	159	37290604XA	183	3954	340
210000R	161	3730	188	3956	339
2101	157	37300008XE	185	3960	108
2121	154	3735	190	3970	109
2131	155	3736	197	3980	205 / 241 / 354
2131XA	156	3737	191	3981	355
2470	131	3737XA	194	3991A0	89
2475	132	3738	196	399111	73
2490	133	3739	198	3992	239
2600	68	3740	195	4001	248
2700	176	374000	212	4002	250
3000	168	3745	189	4003	252
3001	166	37450003	134	4004	280
3010	164	37451604XA	206	4005	284
3011	162	3751	192	4006	273
309000	113 / 124	3752	200	4007	281
309010	112 / 124	3753	186	4008	282
3290A	86	3754	187	4009	256
3300A	87	3759	199	4015	285
3300A0XA	89	3760	118	4016	286
330011XA	74	3800	244	4017	287
3411	156	3801	245	402100	296
3570	122	3811	358	402101	297
3605	239	3812	358	4024	279
3619	149	3813	359	4031	257
3620	148	38130000	359	4032	262
3621	150	3814	360	4033	264
3625	142	3891	325	4050	272
3626	143	3892	326	4051	266

4052	268	5608E	237	766200R	46
4053	270	5609	216	766300B	49
4054	276	5609E	218	766300R	48
4055	277	5609XB	238	7668	353
4056	275	5609XE	238	7670	135
4059	278	5611	217	7670XA	140
4080	139	5611E	219	7671	136
4401	306	56140002	220	7672XA	141
4402	307	700020	92	7680	140
4403	308	700021	93	7697	208
4406	315	7050	98	7700	59
4431	309	730001	120	7710	60
4432	310	730002	119	7720	61
4451	311	735000	121	7730	62
4452	312	7480	80	7735	63
4453	313	7480XC	128	7736	64
4454	314	7485	81	7737	65
4480	301	7490	78	7738	66
4481	302	7495	79	7739	67
4600	283	7500XC	129	774800	54
4800XC	116 / 292	7520A	82	774801	55
4800XF	292	7520AXC	127	774900	56
4802XC	115 / 291	752100V	88	774901	57
4805	290	7530A	83	775000	52
4805XC	115 / 291	7535	84	775001	53
4806	294	7550XC	130	775002	51
4806XF	295	7560	85	7756	103
4810	117 / 293	760001	31	775600XC	112
4811	117 / 293	760002	30	7759	102
5230	91	760200	32	776200	104
5240	90	760501	34	776201	105
5601	222	760502	33	776300	106
5601E	230	760700	35	776301	107
5602	223	760800B	37	77660000B	202
5602E	231	760800R	36	77660000R	201
5603	226	761502	40	77670004B	204
5603E	234	761700	41	77670004R	203
5604	227	7620	50	7835	137
5604E	235	764502	38	7836	138
5605	224	764700	39	79390000XA	320
5605E	232	765000B	43	7940	318
5606	225	765000R	42	7941	316
5606E	233	766000B	45	7942	322
5607	228	766000R	44	79420000G	323
5607E	236	76610000	74	79420004XA	323
5608	229	766200B	47	7948	321

7949	321	96802530	206
795001	10	HOMEGAS	304
7950A1	11	IDROPRESS	246
795101	19 / 20		
795102	17 / 18		
795200	12		
795300	21		
795402	25		
795500	14		
795501	13		
795601	26		
7956XA	72		
795700	24		
795701	23		
795702	22		
796001	27		
796402	28		
796601	29		
7966XA	73		
797001	16		
799001	15		
8000XF	116		
8005	114		
8640	344		
8641	346		
8643	345		
8644	347		
8646	348		
8647	298		
865000	58		
9610	210		
9611	210		
9612	211		
9616	209		
9619	211		
9620	207		
9640	349		
9641	350		
9642	352		
9643	300		
9644	299		
9645	351		
9660	288		
9661	289		
9674	356		
9676	357		



PRINT COMPLETED JUNE 2022
VALID TILL NEXT VERSION
REF. CATALOGUE #221



IDROSANITARIA BONOMI SPA
Via Monsuello 36,
25065, Lumezzane (Bs), Italy

Tel.: +39 0308922121
Fax: +39 0308922151

sales@idrobonomi.com
www.idrosanitariabonomi.com

 **bonomi**